

E20-526^{Q&As}

XtremIO Solutions and Design Specialist Exam for Technology Architects

Pass EMC E20-526 Exam with 100% Guarantee

Free Download Real Questions & Answers **PDF** and **VCE** file from:

<https://www.leads4pass.com/e20-526.html>

100% Passing Guarantee
100% Money Back Assurance

Following Questions and Answers are all new published by EMC
Official Exam Center

- ⚙️ **Instant Download** After Purchase
- ⚙️ **100% Money Back** Guarantee
- ⚙️ **365 Days** Free Update
- ⚙️ **800,000+** Satisfied Customers



QUESTION 1

A customer has an existing Oracle environment they are considering moving over to XtremIO from VMAX for improved performance. The customer wants to know the expected deduplication and compression savings they can achieve with XtremIO.

Which tool is appropriate for conducting this assessment?

- A. EMC Backup Tool
- B. EMC Storage Tool
- C. XtremIO Sizing Tool
- D. EMC MiTrend Tool

Correct Answer: D

MiTrend has been available for EMC Employees and Partners for years, but it's a valuable tool that Customers can take advantage of also. And the price is awesome. It's FREE !

Use it for VNX, Clariion, VMAX, and many more.

References: <http://www.pragmaticio.com/2014/11/mitrend-self-service-performance-analysis-for-emc-vnx/>

QUESTION 2

A storage administrator is configuring SAN switches and zoning to connect an eight X-Brick XtremIO array. A VMware ESXi server is hosted on a blade chassis with 16 HBA ports. In addition, the SAN is composed of two separate SAN switches.

What is the recommended XtremIO best practice for zoning?

- A. Two HBA connections per host connected to a single switch Multiple initiators/multiple targets per zone Maximum of 4 paths for each LUN per zone
- B. Connect a single storage controller to the first switch Connect a second storage controller to the second switch Single initiator/multiple targets per zone Maximum of 6 paths for each LUN per zone
- C. Connect all N1 storage controllers to the first switch Connect N2 storage controllers to the second switch Multipath all host ports to single LUNs per zone Maximum of 4 paths for each LUN per zone
- D. Multiple HBA connections per host Single initiator/single target per zone Maximum of 2 paths to each X-Brick for each initiator Each host connected to each SAN switch

Correct Answer: B

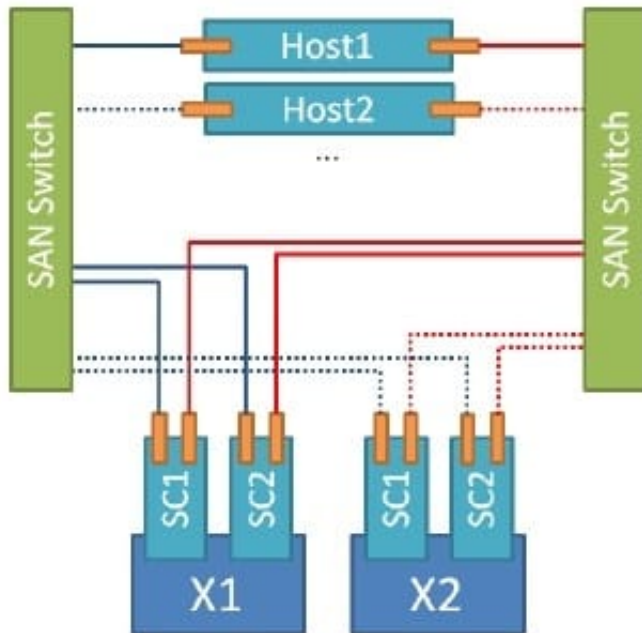
In an environment where a host with two HBAs (VMware Best Practice) is connected to two fabrics and storage array with two Storage Controllers (EMC VNX, for example) the host will have four paths to a LUN: 2 Controllers x 2 HBAs = 4 paths

If you go to the extreme and configure your XtremIO with eight X-Brick, you have 16 controllers. Again, two HBAs per host and the max number of LUNs you can attach to an ESXi host will be 32... I understand, different OS'es may have

different limits than VMware and this logic will not be applicable.

If you have hit the limit of 1024 paths per host ($1024 / 4 \text{ controllers} / 2 \text{ HBAs} = 128 \text{ LUNs}$) and need to provision more LUNs, the best way will be to re-zone the host to limit the number of X-Bricks / Controllers the host HBA can connect to.

The following diagram displays the logical connection topology for 4 paths.



Incorrect Answers:

D: Eliminate single-initiator to single-target zones.

References: <http://vstrong.info/2015/11/18/vmware-host-zoning-for-multi-x-brick-emc-xtremio-storagearray/>

QUESTION 3

A user attempts to create a quorum disk for a host cluster. Volume parameters are: Size = 1000 kB Name 1MB_Vol

However, the volume creation fails. What caused the process to fail?

- A. Quorum disks cannot have an 8kB block size
- B. Volume size is too small
- C. Volume name is invalid
- D. XtremIO volumes cannot be quorum disks

Correct Answer: B

The volume size must be specified in MB, GB, TB, and not in KB.

Incorrect Answers:

D: Quorum disks on XtremIO The SAN Volume Controller cluster will select disks that are presented by the XtremIO storage system as quorum disks. To maintain availability for the cluster, ideally each quorum disk should reside on a separate disk subsystem.

The quorum device can be any disk device that is shared between two or more nodes. EMC Symmetrix, VNX series, or XtremIO devices are commonly used for this purpose.

References: <https://vcdx133.com/2014/09/14/emc-xtremio-provisioning-a-lun/>

QUESTION 4

A customer has recently purchased an XtremIO 10 TB single X-Brick cluster for an implementation of Oracle RAC. The customer wants your help with integrating Oracle with their new XtremIO cluster. The customer has three DATA disk groups, two REDO disk groups, and four FRA disk groups.

How many XtremIO LUNs should be assigned to the FRA disk groups?

- A. 2
- B. 4
- C. 6
- D. 8

Correct Answer: D

Best practice is to use four LUNs for the DATA disk group to allow the host to use simultaneous threads. The REDO and FRA disk groups should use two LUNs each.

References: https://community.emc.com/community/connect/everything_oracle/blog/2016/03/31/bestpractises-of-vblock-on-xtremio-with-oracle-databases-part-i

QUESTION 5

A customer has the following requirements for their VDI deployment: Greater than 1000 desktops with the ability to grow 10% for the next 3 years Low latency boot volumes General purpose NAS for home directories Remote replication with the ability to snap at every write Capable of delivering 100 IOPs per desktop

Which EMC technologies should be recommended?

- A. XtremIO, RecoverPoint CRR, and VPLEX only
- B. VSPEX Blue, RecoverPoint CDP, and VNX
- C. Isilon, VSPEX Blue, VPLEX, and RecoverPoint CDP
- D. XtremIO, RecoverPoint CRR, VPLEX, and Isilon

Correct Answer: A

The EMC RecoverPoint family provides cost-effective, local continuous data protection (CDP), continuous remote replication (CRR), and continuous local and remote replication (CLR) that allows for any-point-intime data recovery and

a new "snap and replicate" mechanism for local and remote replication (XRP).

Splitter-based replication, using VPLEX RecoverPoint splitter-based replication provides synchronous replication, continuous replication with fine recovery granularity (journal based), and replication for active-active datacenters.

References: Introduction to the EMC XtremIO STORAGE ARRAY (April 2015), page 52

[E20-526 VCE Dumps](#)

[E20-526 Practice Test](#)

[E20-526 Exam Questions](#)