

## E20-361<sup>Q&As</sup>

Network Attached Storage (NAS) Implementation Exam

### Pass EMC E20-361 Exam with 100% Guarantee

Free Download Real Questions & Answers **PDF** and **VCE** file from:

<https://www.leads4pass.com/e20-361.html>

100% Passing Guarantee  
100% Money Back Assurance

Following Questions and Answers are all new published by EMC  
Official Exam Center

-  **Instant Download** After Purchase
-  **100% Money Back** Guarantee
-  **365 Days** Free Update
-  **800,000+** Satisfied Customers



**QUESTION 1**

If a customer wants to use a Celerra Data Mover as a FTP server, what steps must be taken to enable that service?

- A. Edit and save the netd file; no reboot required
- B. Edit and save the param file and reboot
- C. None, the service runs by default
- D. Use the server\_param command; no reboot required

Correct Answer: C

---

**QUESTION 2**

When a Celerra quota is turned off, how does that affect the existing user and group quota information?

- A. Group statistics are maintained and user statistics are not
- B. User and group quota statistics are deleted
- C. User and group statistics are retained
- D. User statistics are maintained and group statistics are not

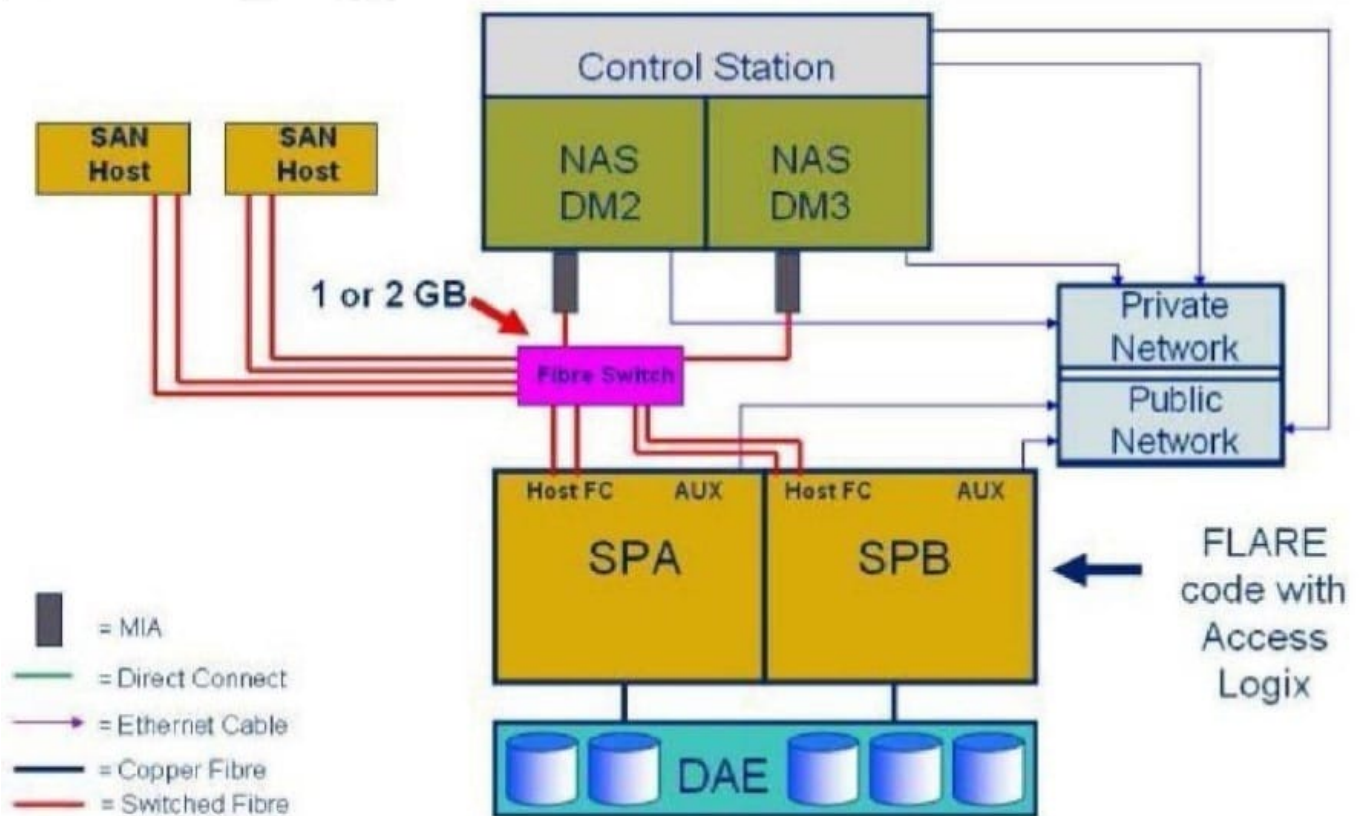
Correct Answer: C

---

**QUESTION 3**

Click the Exhibit button.

In an NS-series gateway, the code installation has failed. Based on the exhibit, what is causing this problem?



- A. Control Station needs to be connected to the Fibre Switch
- B. Data Movers needs to be connected to the Public Network
- C. Single connection between the Data Movers and the Fibre Switch
- D. Storage processor needs to be connected to the Private Network

Correct Answer: C

#### QUESTION 4

On a Celerra NS gateway, the system LUNs must be configured on a RAID. 5 group. Which parameters must be supported?

- A. Any 6+1 RAID. 5 group
- B. Any RAID. 5 group
- C. Dedicated 4+1 RAID. 5
- D. Dedicated 8+1 RAID. 5 group

Correct Answer: C

## QUESTION 5

One of the Celerras in the data center dropped all client access suddenly. Upon further investigation, you discover that the primary blade is in a panicked state but did not fail over to the standby blade.

What is one possible cause for this?

- A. The Control Station was powered off.
- B. The standby blade was running at reason code 5.
- C. The primary blade was unable to ping the standby blade.
- D. The Control Station had NAS services started.

Correct Answer: A

[E20-361 PDF Dumps](#)

[E20-361 VCE Dumps](#)

[E20-361 Exam Questions](#)