

CLAD^{Q&As}

Certified LabVIEW Associate Developer Examination

Pass EC-COUNCIL CLAD Exam with 100% Guarantee

Free Download Real Questions & Answers **PDF** and **VCE** file from:

<https://www.leads4pass.com/clad.html>

100% Passing Guarantee
100% Money Back Assurance

Following Questions and Answers are all new published by EC-COUNCIL Official Exam Center

-  **Instant Download** After Purchase
-  **100% Money Back** Guarantee
-  **365 Days** Free Update
-  **800,000+** Satisfied Customers



QUESTION 1

Which of the following will cause an event to be captured by the LabVIEW Event Structure?

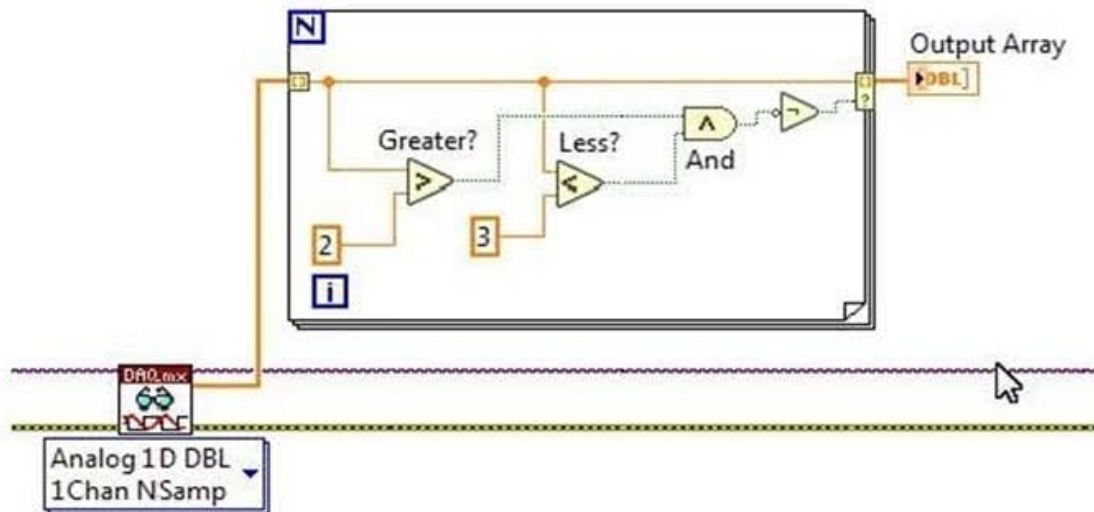
- A. Changing a value on a Front Panel control via a mouse click
- B. Update of a Front Panel control using a property node
- C. Programmatic update of a Front Panel control via a control reference
- D. Using VI Server to update a Front Panel control

Correct Answer: A

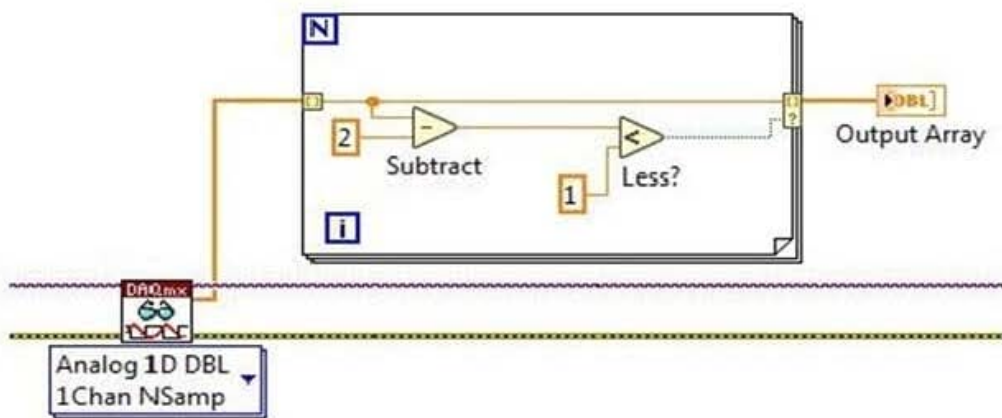
QUESTION 2

Which code will remove any and all samples in the array that are between 2 and 3, exclusive?

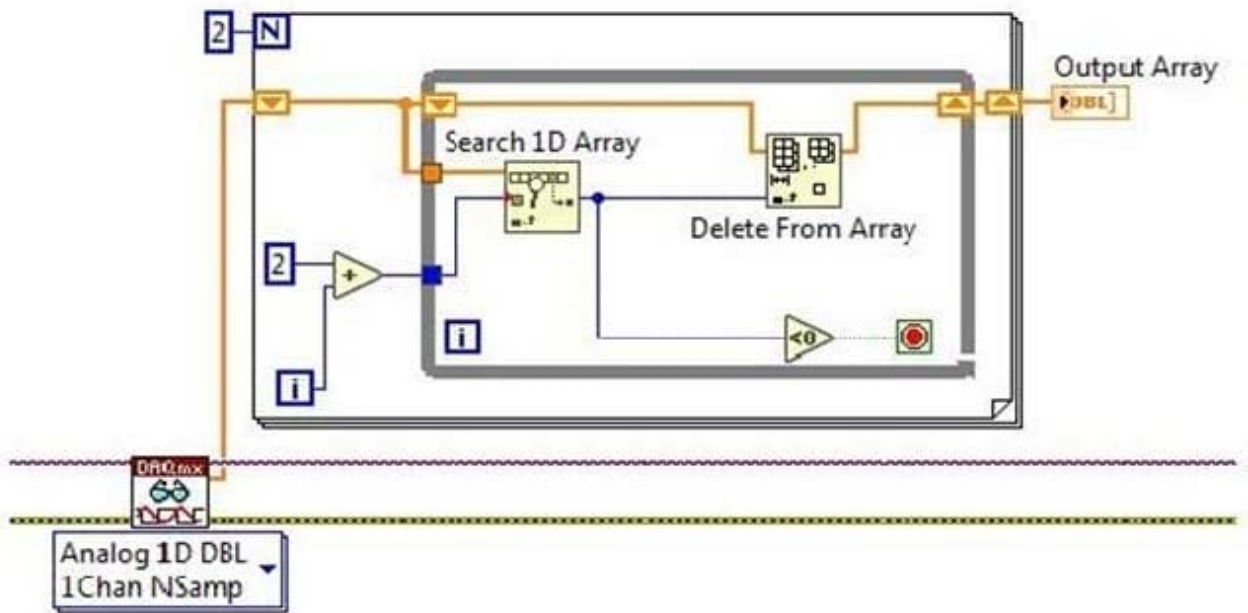
A.



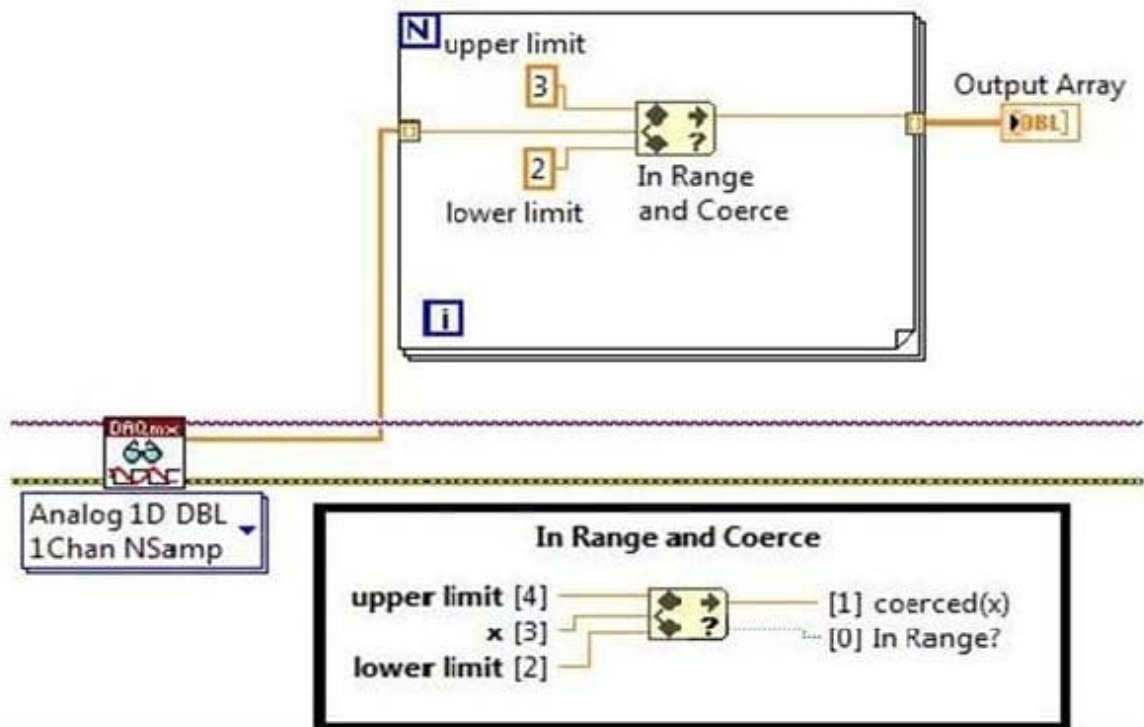
B.



C.



D.



A. Option A

B. Option B

C. Option C

D. Option D

Correct Answer: C

QUESTION 3

Which of the following display options are available for strings on the Front Panel?

- A. '\\\ Codes
- B. Password
- C. Hex
- D. All of the above

Correct Answer: D

QUESTION 4

Which of the following methods will create an XY Graph with two plots?

- A. Create a single cluster from two arrays of X values and two arrays of Y values in an X, Y, X, Y pattern.
- B. Bundle the X and Y array pairs together into two clusters and then create an array of these two clusters.
- C. Bundle the X and Y array pairs together into two clusters and create a cluster of these two clusters.
- D. Create a single array of each of the X arrays and Y arrays in an X, Y, X, Y pattern.

Correct Answer: B

QUESTION 5

Which of the following terminals controls how many times a For Loop will execute?

- A. Option A
- B. Option B
- C. Option C
- D. Option D

Correct Answer: D

[CLAD Study Guide](#)

[CLAD Exam Questions](#)

[CLAD Braindumps](#)