

CLAD^{Q&As}

Certified LabVIEW Associate Developer Examination

Pass EC-COUNCIL CLAD Exam with 100% Guarantee

Free Download Real Questions & Answers **PDF** and **VCE** file from:

<https://www.leads4pass.com/clad.html>

100% Passing Guarantee
100% Money Back Assurance

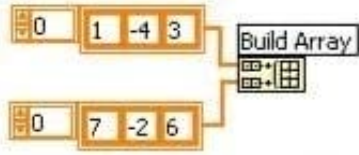
Following Questions and Answers are all new published by EC-COUNCIL Official Exam Center

-  **Instant Download** After Purchase
-  **100% Money Back** Guarantee
-  **365 Days** Free Update
-  **800,000+** Satisfied Customers



QUESTION 1

What is the output of the Build Array function in the following block diagram when Concatenate Inputs is selected?

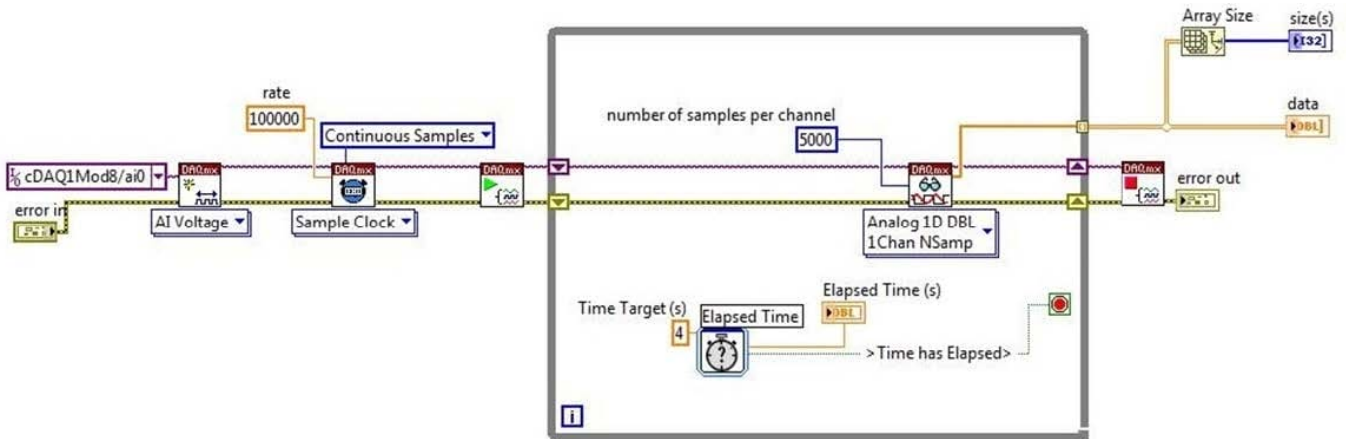


- A. 1-D Array of {1, -4, 3, 7, -2, 6}
- B. b.1-D Array of {1, 7, -4, -2, 3, 6}
- C. c.2-D Array of {{1, -4, 3, 0}, {7, -2, 6}}
- D. d.2-D Array of {{1, -4, 3}, {7, -2, 6}}

Correct Answer: A

QUESTION 2

After this VI runs, what will be the size of the Data indicator array?



- A. 80 rows, 5000 columns
- B. 20 rows, 5000 columns
- C. 401 rows, 5000 columns
- D. 81 rows, 5000 columns

Correct Answer: D

QUESTION 3

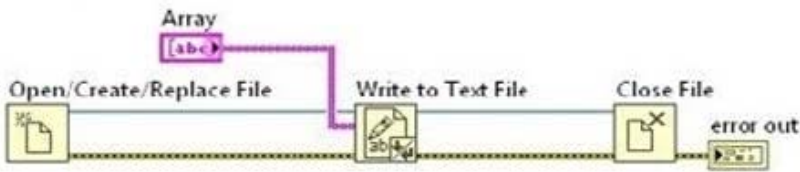
Which of the following methods will create an XY Graph with two plots?

- A. Create a single cluster from two arrays of X values and two arrays of Y values in an X, Y, X, Y pattern.
- B. Bundle the X and Y array pairs together into two clusters and then create an array of these two clusters.
- C. Bundle the X and Y array pairs together into two clusters and create a cluster of these two clusters.
- D. Create a single array of each of the X arrays and Y arrays in an X, Y, X, Y pattern.

Correct Answer: B

QUESTION 4

When run, this VI will: A. Error because no file path and no prompt are specified



LabVIEW Help

Hide Locate Back Forward Options

Open/Create/Replace File Function

Owning Palette: [File I/O VIs and Functions](#)

Requires: Base Development System

Opens an existing file, creates a new file, or replaces an existing file, programmatically or interactively using a file dialog box. This function does not work for files inside an LLB.

[Details](#) [Example](#)

prompt
file path (use dialog)
operation (0:open)
access (0:read/write)
error in
disable buffering (F)

refnum out
cancelled
error out

+ Add to the block diagram Find on the palette

prompt is the message that appears above the list of files and directories or folder in the file dialog box.

file path is the absolute path to the file. If you do not wire **file path**, the function displays a dialog box from which you can select a file. If you specify an empty or relative path, this function returns an error. If **file path** is the path to a directory that does not exist, this function returns an error. Use the [Create Folder](#) function to create a directory.

operation is the operation to perform. Error 43 occurs if you cancel the dialog box.

0	open (default)—Opens an existing file. Error 7 occurs if the file cannot be found.
1	replace —Replaces an existing file by opening the file and setting its end of file to 0.
2	create —Creates a new file. Error 10 occurs if the file already exists.
3	open or create —Opens an existing file or creates a new file if one does not exist.
4	replace or create —Creates a new file or replaces a file if it exists. This VI replaces a file by opening the file and setting its end of file to 0.
5	replace or create with confirmation —Creates a new file or replaces a file if it exists and you give permission. This VI replaces a file by opening the file and setting its end of file to 0.

- B. Write to a default text file in the application directory
- C. Prompt for the location of an existing file and write to that file
- D. Prompt for a location to create a text file and write to that file

Correct Answer: D

QUESTION 5

Which of the following statements regarding Array constants are NOT true?

- A. When you create an Array constant on the block diagram, it is not visible on the Front Panel.
- B. You cannot resize an Array constant to include more than one element.
- C. You can copy or drag an existing Array on the Front Panel to the Block Diagram to create a constant of the same data type.
- D. All array operations can be performed on an Array constant

Correct Answer: B

[CLAD PDF Dumps](#)

[CLAD VCE Dumps](#)

[CLAD Study Guide](#)