

CLAD^{Q&As}

Certified LabVIEW Associate Developer Examination

Pass EC-COUNCIL CLAD Exam with 100% Guarantee

Free Download Real Questions & Answers **PDF** and **VCE** file from:

<https://www.leads4pass.com/clad.html>

100% Passing Guarantee
100% Money Back Assurance

Following Questions and Answers are all new published by EC-COUNCIL Official Exam Center

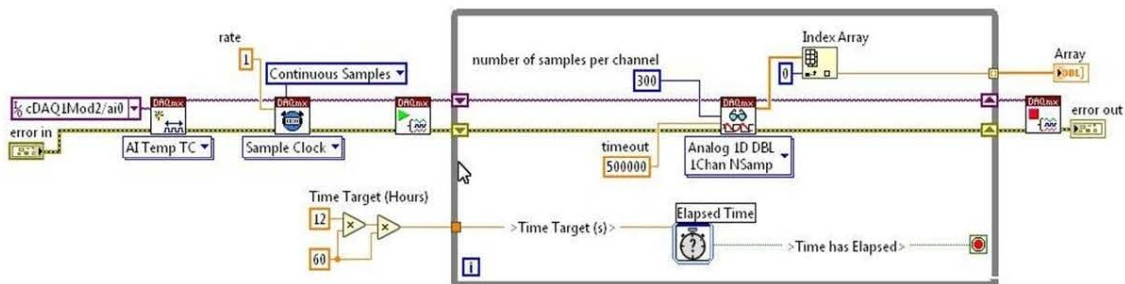
-  **Instant Download** After Purchase
-  **100% Money Back** Guarantee
-  **365 Days** Free Update
-  **800,000+** Satisfied Customers



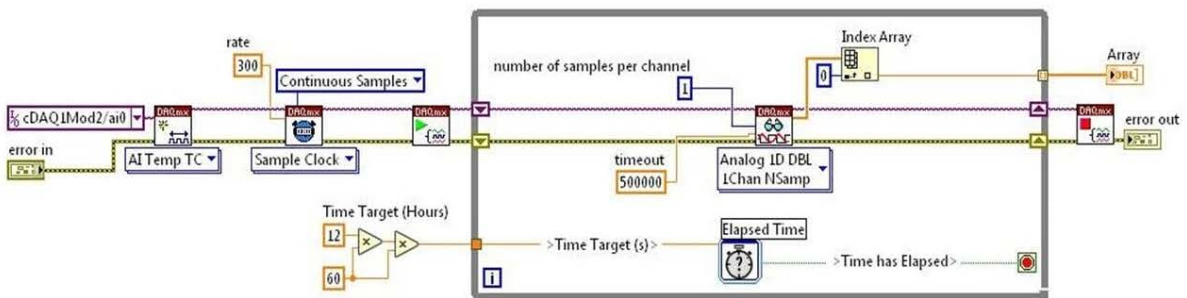
QUESTION 1

Which VI will acquire one temperature data point every 5 minutes for 12 hours?

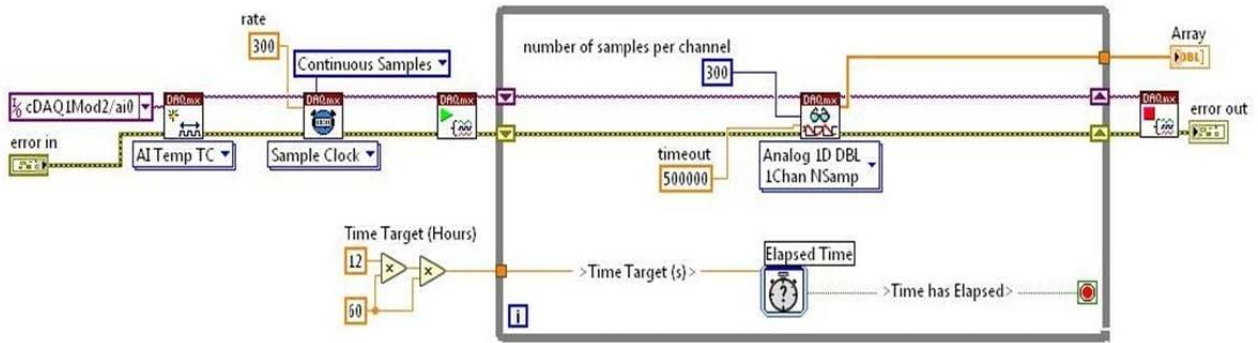
© A.



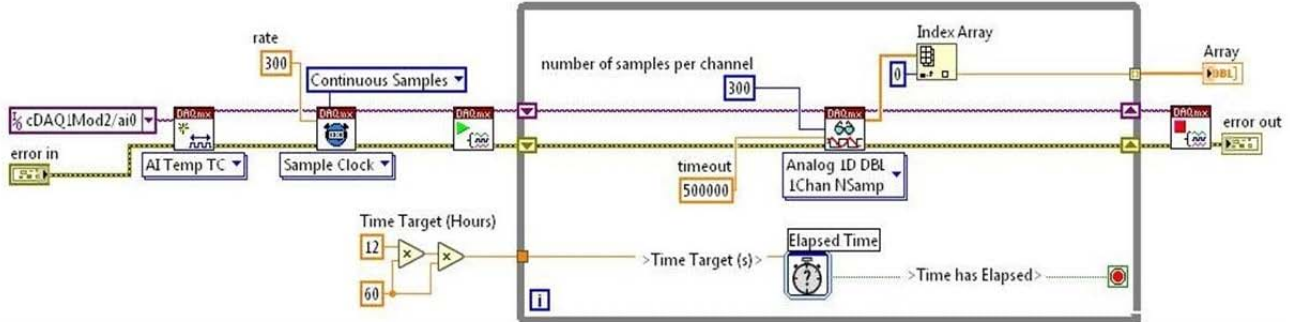
© B.



C.



D.



A. Option A

B. Option B

C. Option C

D. Option D

Correct Answer: B

QUESTION 2

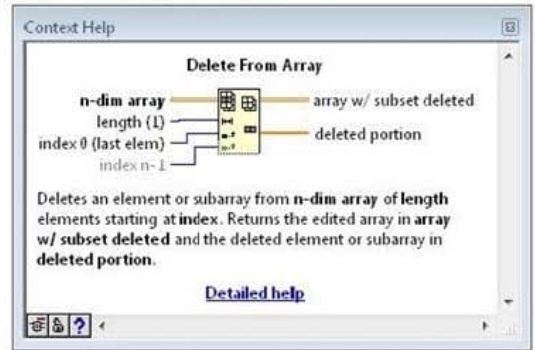
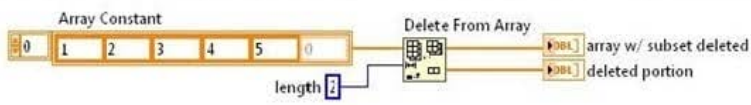
If an input name on the Show Context Help window is in bold for a SubVI, which of the following conditions are true? (Choose all apply)

- A. Input values must be scalar.
- B. An input is recommended, but not required.
- C. An input is required.
- D. A broken run arrow will result unless the input is wired.

Correct Answer: CD

QUESTION 3

What value will be displayed in the array w/ subset deleted and the deleted portion indicators after the VI completes execution?



- A.

array w/ subset deleted

0	4	5	0	0
---	---	---	---	---

deleted portion

0	1	2	3	0
---	---	---	---	---
- B.

array w/ subset deleted

0	1	2	0	0
---	---	---	---	---

deleted portion

0	3	4	5	0
---	---	---	---	---
- C.

array w/ subset deleted

0	3	4	5	0
---	---	---	---	---

deleted portion

0	1	2	0	0
---	---	---	---	---
- D.

array w/ subset deleted

0	1	2	3	0
---	---	---	---	---

deleted portion

0	4	5	0	0
---	---	---	---	---

A. Option A

B. Option B

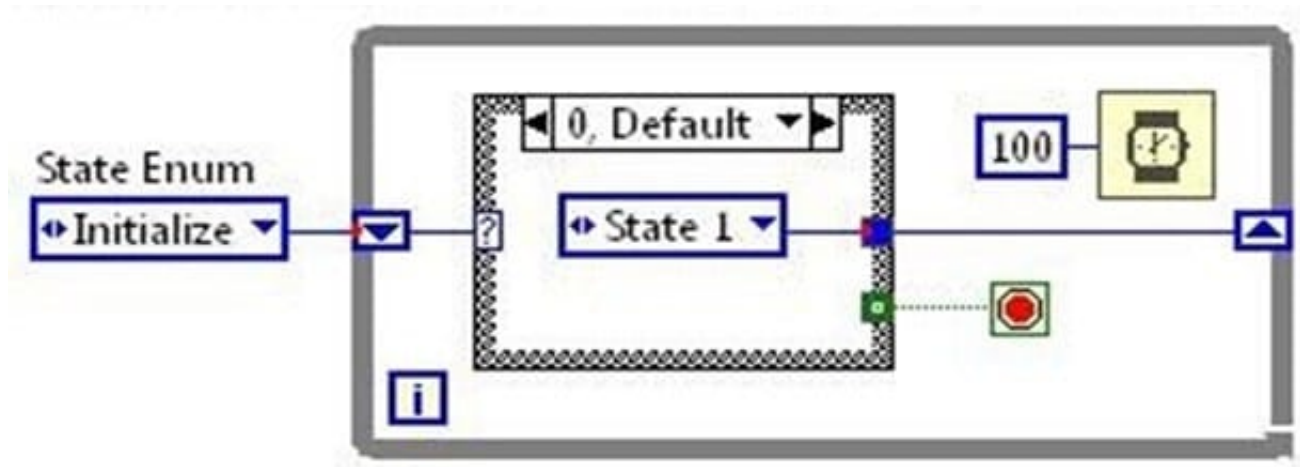
C. Option C

D. Option D

Correct Answer: D

QUESTION 4

What of these could cause the Case Structure's case selector to show numbers instead of the Enum text?



- A. The Case Structure Options are set to display Enum as Numeric
- B. The Enum constants are not Type Defs
- C. The Coercion dots prevent the text from displaying
- D. The Enum constants have inconsistent sets of cases

Correct Answer: A

QUESTION 5

To determine the frequency distribution of a signal, the sampling rate must be at least.

- A. greater than ten times the highest frequency in the signal
- B. greater than the highest frequency of the signal
- C. greater than twice the highest frequency in the signal
- D. greater than five times the highest frequency in the signal

Correct Answer: C

[CLAD VCE Dumps](#)

[CLAD Practice Test](#)

[CLAD Brindumps](#)