

ATA^{Q&As}

Advanced Test Analyst

Pass ISTQB ATA Exam with 100% Guarantee

Free Download Real Questions & Answers **PDF** and **VCE** file from:

<https://www.leads4pass.com/ata.html>

100% Passing Guarantee
100% Money Back Assurance

Following Questions and Answers are all new published by ISTQB
Official Exam Center

-  **Instant Download** After Purchase
-  **100% Money Back** Guarantee
-  **365 Days** Free Update
-  **800,000+** Satisfied Customers



QUESTION 1

A route calculation for a car navigation system has been developed using the following state table: How many test cases are needed to achieve 0-switch coverage? [K3] 2 credits

	Position	Velocity	Updated	No Signal
Displaying	Calculating	Calculating	-	Error
Calculating	-	-	Displaying	Error
Error	Calculating	-	-	-

- A. 3
- B. 6
- C. 7
- D. 12

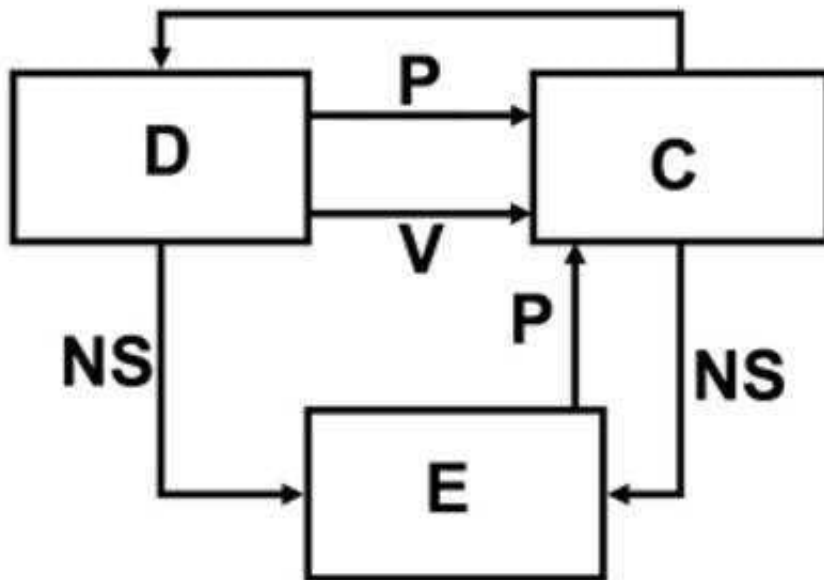
Correct Answer: B

QUESTION 2

Using the state diagram (based on the "Route Calculation"), how many test cases are needed to achieve 1-switch coverage?

	Position	Velocity	Updated	No Signal
Displaying	Calculating	Calculating	-	Error
Calculating	-	-	Displaying	Error
Error	Calculating	-	-	-

U



[K3] 3 credits

- A. 9
- B. 10
- C. 11
- D. 12

Correct Answer: D

QUESTION 3

Which of the following statements fits the principles of experience-based testing? [K2] 1 credit

- A. Coverage calculations can be used to determine the amount of testing required

- B. Different people will have a different experience level regarding usability testing
- C. Models can be used to derive the required test cases
- D. Experience in test execution is more important than experience in test design

Correct Answer: D

QUESTION 4

Which of the following comments would be the MOST important one you would make? [K3] 2 credits

- A. Description of flow is not detailed enough
- B. Specific characteristics of actor(s) are missing
- C. No usability acceptance criteria
- D. User tasks not defined

Correct Answer: B

QUESTION 5

You are testing an ATM based on the following use case; ATM start screen is showing The user inserts card The user types in PIN The user selects `cash with receipt` The user selects 50 The user selects `no further service` Expected results The ATM provides 50 to the user The ATM return the card and balance slip The ATM clears the screen The ATM returns to start menu In your test log which of the following could be noted as part of additional attention points? [K3] 2 credits

- A. Issues regarding time-behavior
- B. Issues regarding interoperability
- C. More test cases needed to achieve full coverage
- D. Expected results not clearly defined

Correct Answer: A

[ATA VCE Dumps](#)

[ATA Exam Questions](#)

[ATA Brindumps](#)