

# ASVAB-SECTION-5<sup>Q&As</sup>

ASVAB Section Five : Electronic Information

**Pass ASVAB ASVAB-SECTION-5 Exam with 100% Guarantee**

Free Download Real Questions & Answers **PDF** and **VCE** file from:

<https://www.leads4pass.com/asvab-section-5.html>

100% Passing Guarantee  
100% Money Back Assurance

Following Questions and Answers are all new published by ASVAB  
Official Exam Center

-  **Instant Download** After Purchase
-  **100% Money Back** Guarantee
-  **365 Days** Free Update
-  **800,000+** Satisfied Customers



## QUESTION 1

The FM band covers \_\_\_\_\_.

- A. 550 to 1,600 kHz
- B. 88 to 108 MHz
- C. 100 to 200 MHz
- D. 550 to 1600 MHz

Correct Answer: B

The FM band covers 88 to 108 MHz. The AM band covers 550 to 1600 kilohertz.

---

## QUESTION 2

The hot wire is always \_\_\_\_\_.

- A. blue
- B. green
- C. whitish
- D. black

Correct Answer: D

Live wires are black.

---

## QUESTION 3

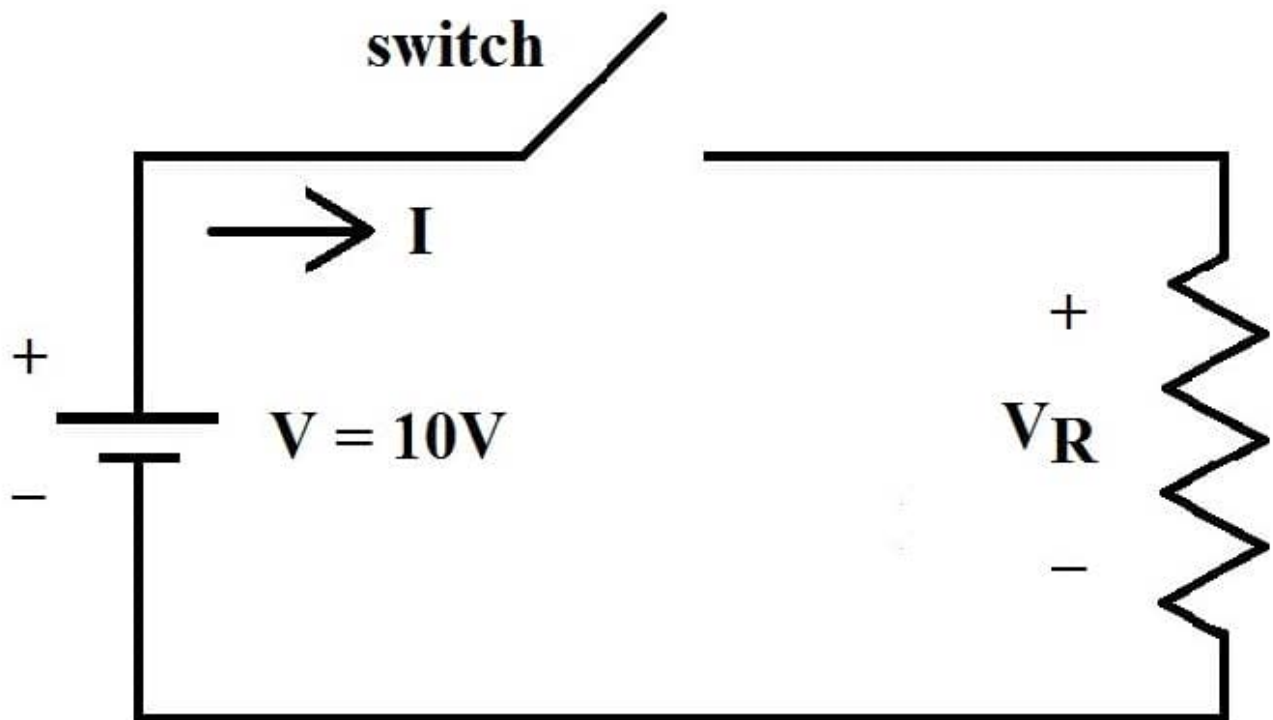
The largest subatomic particle with a positive charge is called the \_\_\_\_\_.

- A. neutron
- B. positron
- C. electron
- D. proton

Correct Answer: D

---

## QUESTION 4



What is the voltage across the load R and the current through R when the switch is open in the following circuit?

- A. The current is 0 A; the voltage is 10 V.
- B. The current is 2 A; the voltage is 10 V.
- C. The current is 2 A; the voltage is 2 V.
- D. The current is 0 A; the voltage is 0 V.

Correct Answer: D

When the switch is open, no current flows. The voltage  $V_R$  is  $I$  times  $R$ , which equals  $0(5) = 0$ .

#### QUESTION 5

How many wires do serial cables used on computers have?

- A. 3
- B. 9
- C. 15
- D. 25

Correct Answer: B

This is true, even if the cable has a 25-pin connector. Serial cables are often used to connect computers to perpetual devices.

[ASVAB-SECTION-5 PDF  
Dumps](#)

[ASVAB-SECTION-5 VCE  
Dumps](#)

[ASVAB-SECTION-5  
Practice Test](#)