

ASVAB-SECTION-4^{Q&As}

ASVAB Section Four : Automotive & Shop Information

Pass ASVAB ASVAB-SECTION-4 Exam with 100% Guarantee

Free Download Real Questions & Answers **PDF** and **VCE** file from:

<https://www.leads4pass.com/asvab-section-4.html>

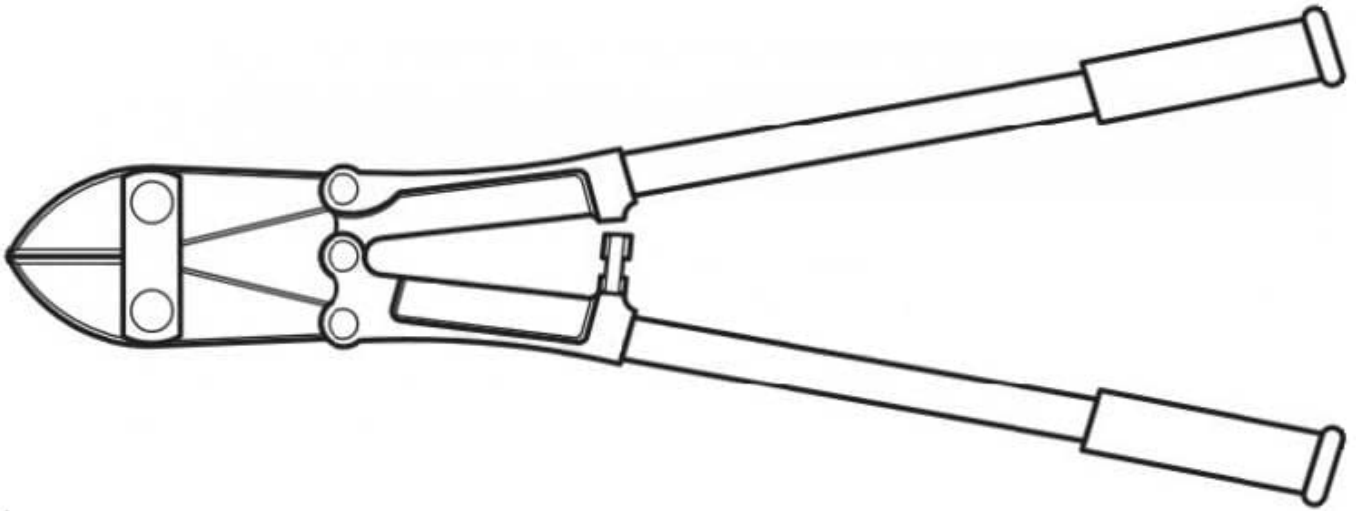
100% Passing Guarantee
100% Money Back Assurance

Following Questions and Answers are all new published by ASVAB
Official Exam Center

-  **Instant Download** After Purchase
-  **100% Money Back** Guarantee
-  **365 Days** Free Update
-  **800,000+** Satisfied Customers



QUESTION 1

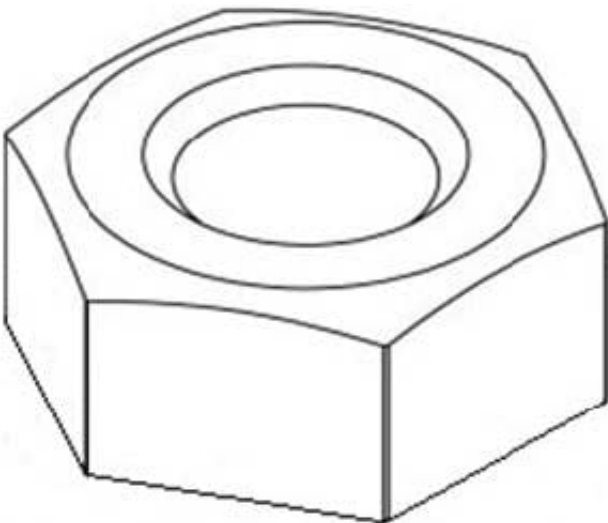


The tool above is used to _____.

- A. cut tile
- B. cut wire
- C. turn screws
- D. cut bolts

Correct Answer: D

QUESTION 2



The object above is a type of:

- A. nut
- B. washer
- C. screw
- D. bolt

Correct Answer: A

QUESTION 3

The letter and numbers G78-15 printed on a tire refer to _____.

- A. load, width, and diameter.
- B. diameter and air pressure.
- C. cubic inch displacement.
- D. price code.

Correct Answer: A

"G" indicates the load-carrying capacity of a tire. 78 is the aspect ratio, which is the relationship between the tire height and tire width. When a tire is marked 78, the height is 78 percent of the width. 15 indicates that the tire will fit a 15-inch rim.

QUESTION 4

The piston of an internal combustion engine fits inside the _____.

- A. crankshaft
- B. cylinder
- C. radiator
- D. brake drum

Correct Answer: B

The piston is the object inside the engine that moves up and down inside the cylinder to produce the power needed.

QUESTION 5

The difference between a single-acting and an opposed piston engine is _____.

- A. Single-acting piston engines wear longer.
- B. Opposed piston engines have cylinders set in a V-shape.

C. Single-acting piston engines have one piston per cylinder and opposed piston engines have two.

D. Single-acting piston engines are used with carburetors and opposed piston engines are used with fuel injectors.

Correct Answer: C

[Latest ASVAB-SECTION-4 Dumps](#)

[ASVAB-SECTION-4 Exam Questions](#)

[ASVAB-SECTION-4 Braindumps](#)