



9L0-010^{Q&As}

Macintosh Service Certification Exam

Pass home 9L0-010 Exam with 100% Guarantee

Free Download Real Questions & Answers **PDF** and **VCE** file from:

<https://www.lead4pass.com/9L0-010.html>

100% Passing Guarantee
100% Money Back Assurance

Following Questions and Answers are all new published by home
Official Exam Center

-  **Instant Download** After Purchase
-  **100% Money Back** Guarantee
-  **365 Days** Free Update
-  **800,000+** Satisfied Customers





QUESTION 1

What is the function of the SMC in an Intel Mac?

- A. The SMC controls all aspects of power flow.
- B. The SMC controls the speed of the hard drive.
- C. The SMC manages the amount of virtual memory used.
- D. The SMC manages all communication with attached peripherals.

Correct Answer: A

System Management Controller (SMC)

In the Intel-based Mac, much of the functionality of the SMU was replaced by the System Management Controller- the (SMC) - a chip that controls all the power functions including:

Telling the computer when to turn on, turn off, sleep, wake, idle, and so forth.

Handling system resets from various commands.

Controlling the fans.

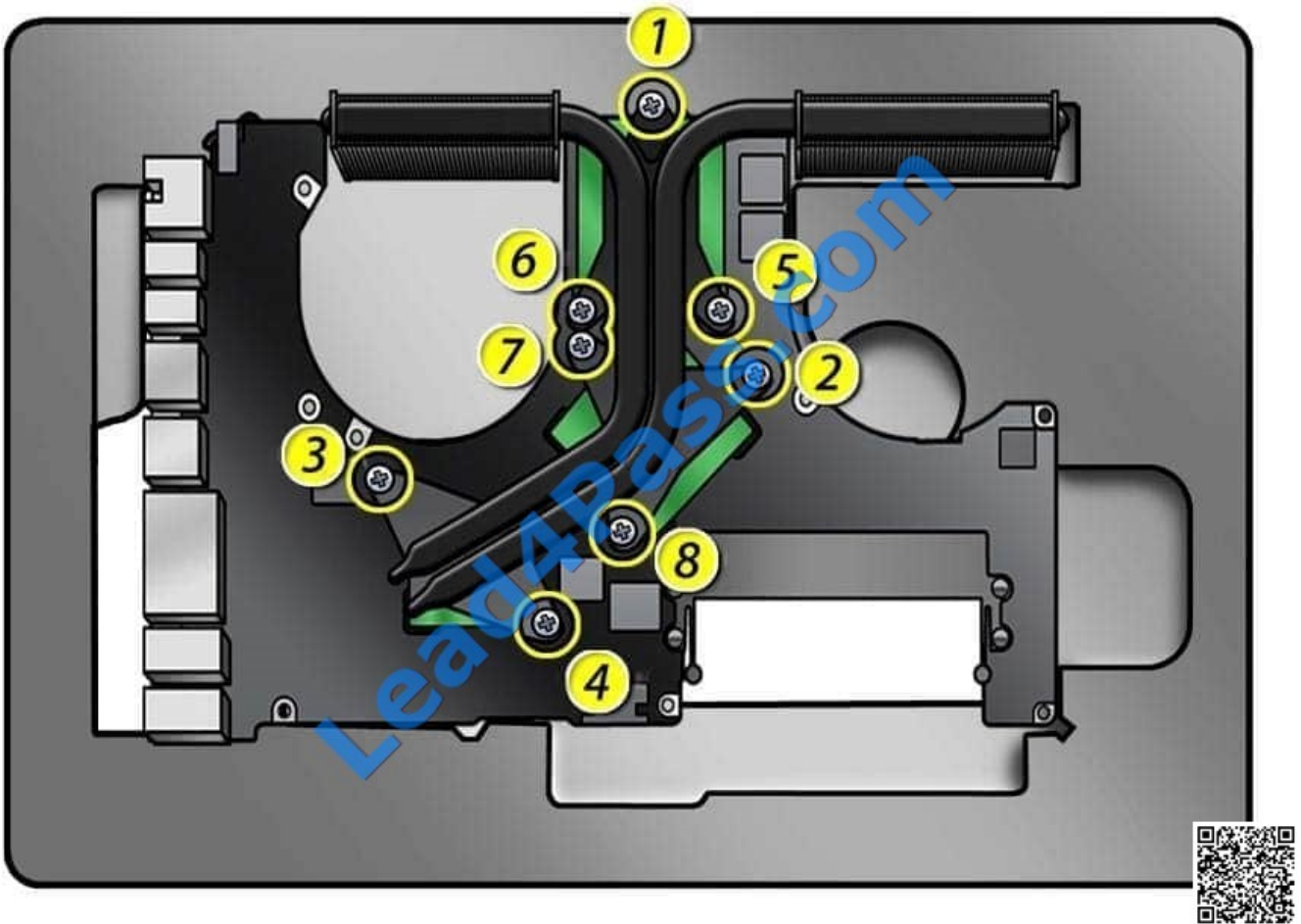
QUESTION 2

When installing a heat sink in a MacBook Pro (15-inch, Mid 2012) do you tighten each of the six heat sink screws completely before tightening the next one?

- A. YES
- B. NO

Correct Answer: B

Install heat sink screws in the order shown, 1/2 way first, then tighten the rest of the way.



QUESTION 3

You are replacing a logic board in a Mac Pro. You should handle the board by its _____.

- A. edges
- B. heat sinks
- C. connectors
- D. components

Correct Answer: A

QUESTION 4

A MacBook Pro (17-inch Mid-2010) powers on with no image on the built-in display. You connect an external display and restart the MacBook Pro, yet you still see no image on either display. Which of the following is most likely the cause of this symptom?

- A. Dead battery



- B. Not enough RAM
- C. Faulty optical drive
- D. RAM not completely seated

Correct Answer: D

Explanation/Reference:

MacBook Pro (15-inch, Late 2008, Mid 2009, 2.53 GHz Mid 2009, Mid 2010, Early 2011, Late 2011, 17-inch, Early 2009, Mid 2009, Mid 2010, Early 2011, Late 2011): Power But Blank/No

3. Reseat memory modules securely in their slots. Does video appear on external display?	Yes	Go to step 5.		
	No	Go to step 4.		

MacBook Pro (15-inch, Late 2008, Mid 2009, 2.53 GHz Mid 2009, Mid 2010, Early 2011, Late 2011, 17-inch, Early 2009, Mid 2009, Mid 2010, Early 2011, Late 2011): Power But Blank/No

4. Install known-good memory. If known-good memory is unavailable, perform DIMM isolation testing. Remove one DIMM, test, swap, then retest. Test both memory slots to determine if one or both sockets are bad, indicating a defective logic board. Start up computer. Does video appear on both	Yes	Replace defective memory module (s). Verify issue resolved.	X02	MEMORY
	No	Replace the logic board. Verify issue resolved.	M03	MLB

QUESTION 5

A customer claims that her Mac cannot connect to her AirPort Express network at home. Which of the following would be the BEST question to ask her FIRST?

- A. Can any other computer successfully join her network?
- B. Does your ISP support wireless access to the Internet?



C. What type of wireless card is installed in your Mac?

D. Have you upgraded to Mac OS X v10.7.3?

Correct Answer: A

[9L0-010 VCE Dumps](#)

[9L0-010 Study Guide](#)

[9L0-010 Braindumps](#)



To Read the [Whole Q&As](#), please purchase the [Complete Version](#) from [Our website](#).

Try our product !

100% Guaranteed Success
100% Money Back Guarantee
365 Days Free Update
Instant Download After Purchase
24x7 Customer Support
Average 99.9% Success Rate
More than 800,000 Satisfied Customers Worldwide
Multi-Platform capabilities - [Windows](#), [Mac](#), [Android](#), [iPhone](#), [iPod](#), [iPad](#), [Kindle](#)

We provide exam PDF and VCE of Cisco, Microsoft, IBM, CompTIA, Oracle and other IT Certifications. You can view Vendor list of All Certification Exams offered:

<https://www.lead4pass.com/allproducts>

Need Help

Please provide as much detail as possible so we can best assist you.
To update a previously submitted ticket:



 <p>One Year Free Update Free update is available within One Year after your purchase. After One Year, you will get 50% discounts for updating. And we are proud to boast a 24/7 efficient Customer Support system via Email.</p>	 <p>Money Back Guarantee To ensure that you are spending on quality products, we provide 100% money back guarantee for 30 days from the date of purchase.</p>	 <p>Security & Privacy We respect customer privacy. We use McAfee's security service to provide you with utmost security for your personal information & peace of mind.</p>
---	---	--

Any charges made through this site will appear as Global Simulators Limited.
All trademarks are the property of their respective owners.
Copyright © lead4pass, All Rights Reserved.