

## 71800X<sup>Q&As</sup>

71800X - Avaya IX Messaging Implementation and Maintenance

**Pass Avaya 71800X Exam with 100% Guarantee**

Free Download Real Questions & Answers **PDF** and **VCE** file from:

<https://www.leads4pass.com/71800x.html>

100% Passing Guarantee  
100% Money Back Assurance

Following Questions and Answers are all new published by Avaya  
Official Exam Center

-  **Instant Download** After Purchase
-  **100% Money Back** Guarantee
-  **365 Days** Free Update
-  **800,000+** Satisfied Customers



## QUESTION 1

What is the Avaya IXTM message bandwidth required for inbound and for outbound traffic?

- A. 64 kbps bandwidth for inbound, and another 64 kbps for outbound traffic
- B. 15 kbps bandwidth for inbound, and another 15 kbps for outbound traffic
- C. 10 kbps bandwidth for inbound, and another 10 kbps for outbound traffic
- D. 30 kbps bandwidth for inbound, and another 30 kbps for outbound traffic

Correct Answer: B

<https://downloads.avaya.com/css/P8/documents/101047702>

---

## QUESTION 2

Which tool can be used to configure the parameters for Avaya IXTM Messaging to integrate with PBX?

- A. SIP Configuration tool
- B. PBX Configurator tool
- C. Admin tool
- D. UC configuration tool

Correct Answer: A

---

## QUESTION 3

In which two places is web access for a user enabled in an Avaya IXTM Messaging solution? (Choose two.)

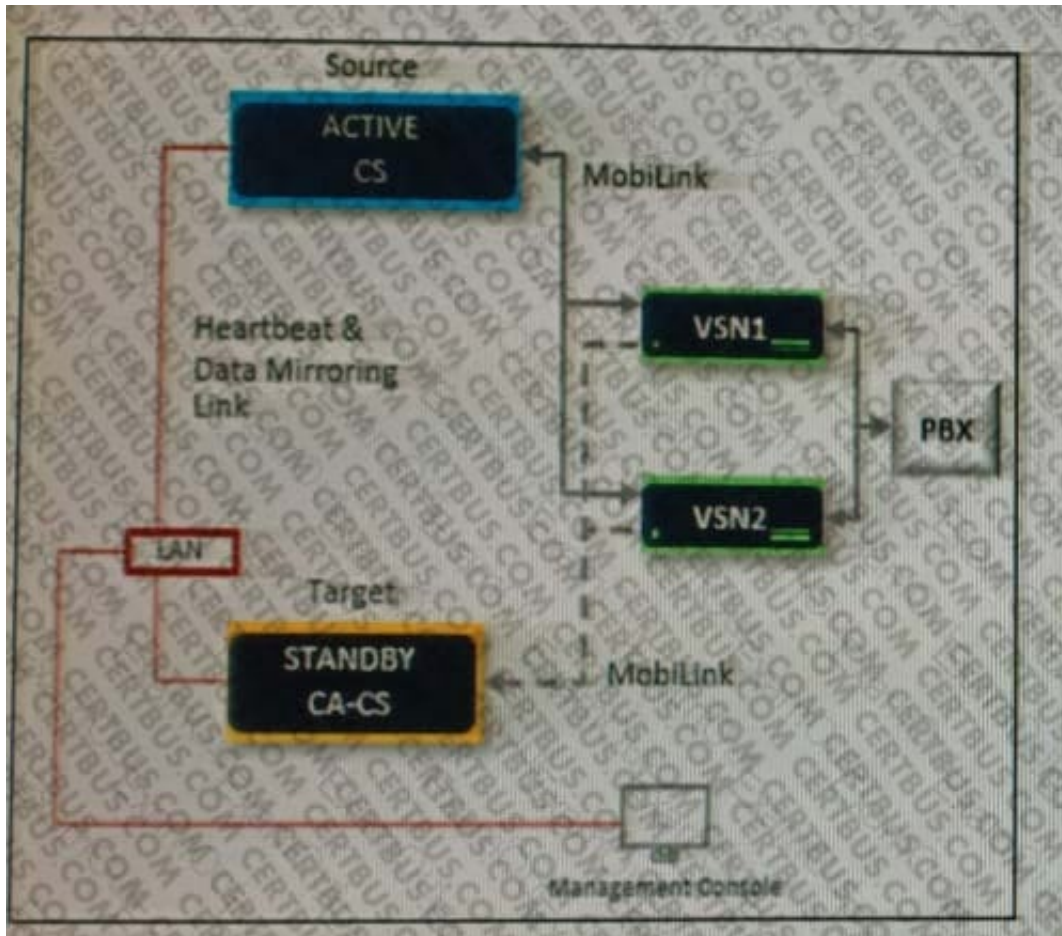
- A. In the Mailbox configuration
- B. In the SIP configuration tool
- C. In the Feature Group configuration
- D. On the VSNs

Correct Answer: CD

---

## QUESTION 4

Refer to the exhibit.



What is illustrated in the exhibit?

- A. VSN Architecture for Disaster Recovery
- B. Carbonite availability of the Consolidated Server for Disaster Recovery
- C. Two consolidated servers in the active-active mode
- D. A Management Console allowing Avaya IXTM Messaging moves, adds, and changes

Correct Answer: A

**QUESTION 5**

Content Synchronization Engine is the server that will perform the IMAP sync with Gmail, Office 365, and MS Exchange. For larger deployments, it is mandatory to add remote content sync engine(s).

What is the limit specified for adding a remote content sync engine?

- A. One server for every 20,000 Advanced users
- B. One server for every 10,000 Advanced users

C. One server for every 5,000 Advanced users

D. One server for every 2,000 Advanced users

Correct Answer: A

[71800X VCE Dumps](#)

[71800X Practice Test](#)

[71800X Exam Questions](#)