



# 70-464<sup>Q&As</sup>

Developing Microsoft SQL Server Databases

## Pass Microsoft 70-464 Exam with 100% Guarantee

Free Download Real Questions & Answers **PDF** and **VCE** file from:

<https://www.lead4pass.com/70-464.html>

100% Passing Guarantee  
100% Money Back Assurance

Following Questions and Answers are all new published by Microsoft  
Official Exam Center

-  **Instant Download** After Purchase
-  **100% Money Back** Guarantee
-  **365 Days** Free Update
-  **800,000+** Satisfied Customers





### QUESTION 1

You need to monitor the health of your tables and indexes in order to implement the required index maintenance strategy. What should you do?

- A. Query system DMVs to monitor `avg_chain_length` and `max_chain_length`. Create alerts to notify you when these values converge.
- B. Create a SQL Agent alert when the File Table: Avg time per file I/O request value is increasing.
- C. Query system DMVs to monitor `total_bucket_count`. Create alerts to notify you when this value increases.
- D. Query system DMVs to monitor `total_bucket_count`. Create alerts to notify you when this value decreases.

Correct Answer: A

From scenario:

\*

You need to anticipate when POSTransaction table will need index maintenance.

\*

The index maintenance strategy for the UserActivity table must provide the optimal structure for both maintainability and query performance.

---

### QUESTION 2

Your company has a SQL Azure subscription.

You implement a database named Database1. Database1 has two tables named Table1 and Table2.

You create a stored procedure named sp1. Sp1 reads data from Table1 and inserts data into Table2.

A user named User1 informs you that he is unable to run sp1.

You verify that User1 has the SELECT permission on Table1 and Table2.

You need to ensure that User1 can run sp1. The solution must minimize the number of permissions assigned to User1.

What should you do?

- A. Change sp1 to run as the saUser.
- B. Grant User1 the EXECUTE permission on sp1.
- C. Add User1 to the db\_datawriter role.
- D. Grant User1 the INSERT permission on Table2.



Correct Answer: B

<http://msdn.microsoft.com/en-us/library/ms191291.aspx>

---

### QUESTION 3

You execute usp\_TestSpeakers.

You discover that usp\_SelectSpeakersByName uses inefficient execution plans.

You need to update usp\_SelectSpeakersByName to ensure that the most efficient execution plan is used.

What should you add at line 30 of Procedures.sql?

- A. OPTION (FORCESCAN)
- B. OPTION (FORCESEEK)
- C. OPTION (OPTIMIZE FOR UNKNOWN)
- D. OPTION (OPTIMIZE FOR (@LastName= '\\Anderson\\'))

Correct Answer: C

<http://msdn.microsoft.com/en-us/library/ms181714.aspx>

---

### QUESTION 4

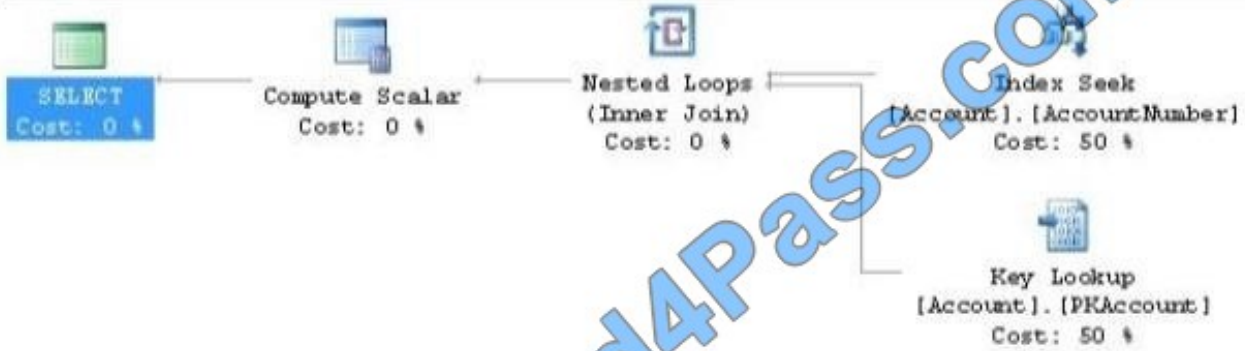
You administer an instance of SQL Server.

You are tasked with tuning a common set of queries. You have the results of several test executions, along with query plans. The schema and the data for all database object(s) used remain unchanged between executions. The QueryTime column is defined as a computed column that uses the GETDATE() system function. The query plans and results are shown below:



```
SELECT *
FROM dbo.Account
WHERE AccountNumber = 'A10000001'
```

Query 1: Query cost (relative to the batch): 100%  
SELECT \* FROM [dbo].[Account] WHERE [AccountNumber]=@1

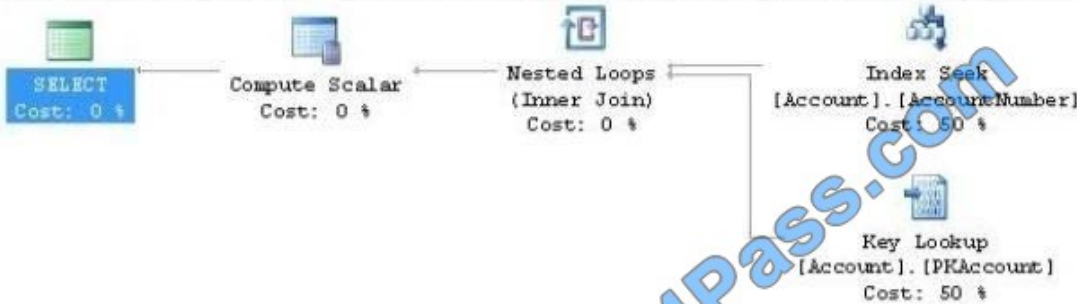


AccountID	AccountNumber	Name	QueryTime
-----	-----	-----	-----
0F63B176-7257-4480-9D0E-126C45 CEFFF1	A10000001	Don Hall	2014-01-29 18:01:50.923

```
SELECT *
FROM dbo.Account
WHERE AccountNumber IN( 'A10000001', 'Q88700323', 'R00000012' )
GO
```



Query 1: Query cost (relative to the batch): 100%  
 SELECT \* FROM dbo.Account WHERE AccountNumber IN( 'A10000001', 'Q88700323', 'R00000012' )



AccountID	AccountNumber	Name	QueryTime
----- -----	----- -----	----- -----	----- -----
0F63B176-7257-4480-9D0E-126C45 CEFFF1	A10000001	Don Hall	2014-01-29 20:14:05.660
337227AA-3A4B-4B28-8E02-0ADEAD 06EA10	Q88700323	Darren Parker	2014-01-29 20:14:05.660
C4980E64-874E-4640-8826- BAF35D8FB845	R00000012	Carol Philips	2014-01-29 20:14:05.660

You need to make an initial diagnosis of the situation, based solely on this input

Which two statements can you make about the performance characteristics of this query? Each correct answer presents a complete solution. Choose two.

- A. The queries would perform better if the index named AccountNumber included the Name and QueryTime column.
- B. The queries would perform worse if the index named AccountNumber included the NameColumn.
- C. The queries would perform better if the index named AccountNumber included the Name column.
- D. The object Account is a table, with an index having a leading column of AccountNumber and a Clustered Index named PKAccount.
- E. The object Account is an indexed view, with an index having a leading column of AccountNumber and a Clustered Index named PKAccount.
- F. The object Account is a view, joining the Account-AccountNumber and Account.PKAccount objects together.

Correct Answer: BD

### QUESTION 5

You are evaluating the index design.

You need to recommend a change to Indexes.sql that minimizes the amount of time it takes for usp\_SelectEmployeesByName to execute.



Which line of code should you use to replace line 08 of Indexes.sql?

- A. (EmployeeID) INCLUDE (LastName);
- B. (LastName) INCLUDE (FirstName);
- C. (LastName, EmployeeID);
- D. (FirstName, LastName);

Correct Answer: A

<https://docs.microsoft.com/en-us/sql/relational-databases/indexes/create-indexes-with-included-columns?view=sql-server-2017>

[70-464 VCE Dumps](#)

[70-464 Practice Test](#)

[70-464 Braindumps](#)



To Read the [Whole Q&As](#), please purchase the [Complete Version](#) from [Our website](#).

## Try our product !

100% Guaranteed Success

100% Money Back Guarantee

365 Days Free Update

Instant Download After Purchase

24x7 Customer Support

Average 99.9% Success Rate

More than 800,000 Satisfied Customers Worldwide

Multi-Platform capabilities - [Windows](#), [Mac](#), [Android](#), [iPhone](#), [iPod](#), [iPad](#), [Kindle](#)

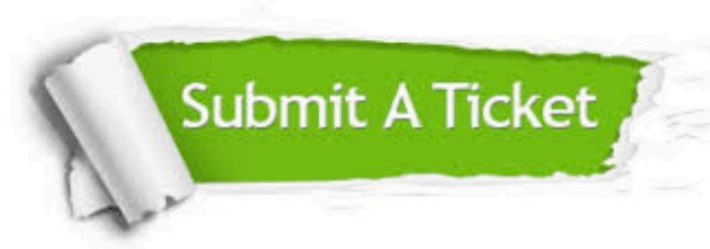
We provide exam PDF and VCE of Cisco, Microsoft, IBM, CompTIA, Oracle and other IT Certifications. You can view Vendor list of All Certification Exams offered:

<https://www.lead4pass.com/allproducts>

## Need Help

Please provide as much detail as possible so we can best assist you.

To update a previously submitted ticket:



 <p><b>One Year Free Update</b> Free update is available within One Year after your purchase. After One Year, you will get 50% discounts for updating. And we are proud to boast a 24/7 efficient Customer Support system via Email.</p>	 <p><b>Money Back Guarantee</b> To ensure that you are spending on quality products, we provide 100% money back guarantee for 30 days from the date of purchase.</p>	 <p><b>Security &amp; Privacy</b> We respect customer privacy. We use McAfee's security service to provide you with utmost security for your personal information &amp; peace of mind.</p>
---	---	--

Any charges made through this site will appear as Global Simulators Limited.

All trademarks are the property of their respective owners.

Copyright © lead4pass, All Rights Reserved.