



# 642-999<sup>Q&As</sup>

Implementing Cisco Data Center Unified Computing

## Pass Cisco 642-999 Exam with 100% Guarantee

Free Download Real Questions & Answers **PDF** and **VCE** file from:

<https://www.lead4pass.com/642-999.html>

100% Passing Guarantee  
100% Money Back Assurance

Following Questions and Answers are all new published by Cisco  
Official Exam Center

-  **Instant Download** After Purchase
-  **100% Money Back** Guarantee
-  **365 Days** Free Update
-  **800,000+** Satisfied Customers





### QUESTION 1

Which slot(s) contain DIMMs in a 1DPC configuration on Cisco UCS blade server?

- A. 0
- B. 1 and 2 only.
- C. 1
- D. 2

Correct Answer: C

Reference: [http://www.cisco.com/c/en/us/td/docs/unified\\_computing/ucs/hw/bladeservers/install/B200.html](http://www.cisco.com/c/en/us/td/docs/unified_computing/ucs/hw/bladeservers/install/B200.html)

---

### QUESTION 2

If a customer wants to maximize the capability of server mobility with the Cisco UCS deployment, what two options are Cisco recommended? (Choose two.)

- A. Configure a server inheritance policy.
- B. Configure a Virtual Media boot.
- C. Configure a hardware-based service profile with burned-in addresses and identities.
- D. Configure boot from SAN.
- E. Configure service profiles with resource pools.

Correct Answer: DE

---

### QUESTION 3

Scenario

In this scenario, you will refer to screenshots about Cisco UCS B-Series servers and UCS Manager.

Instructions

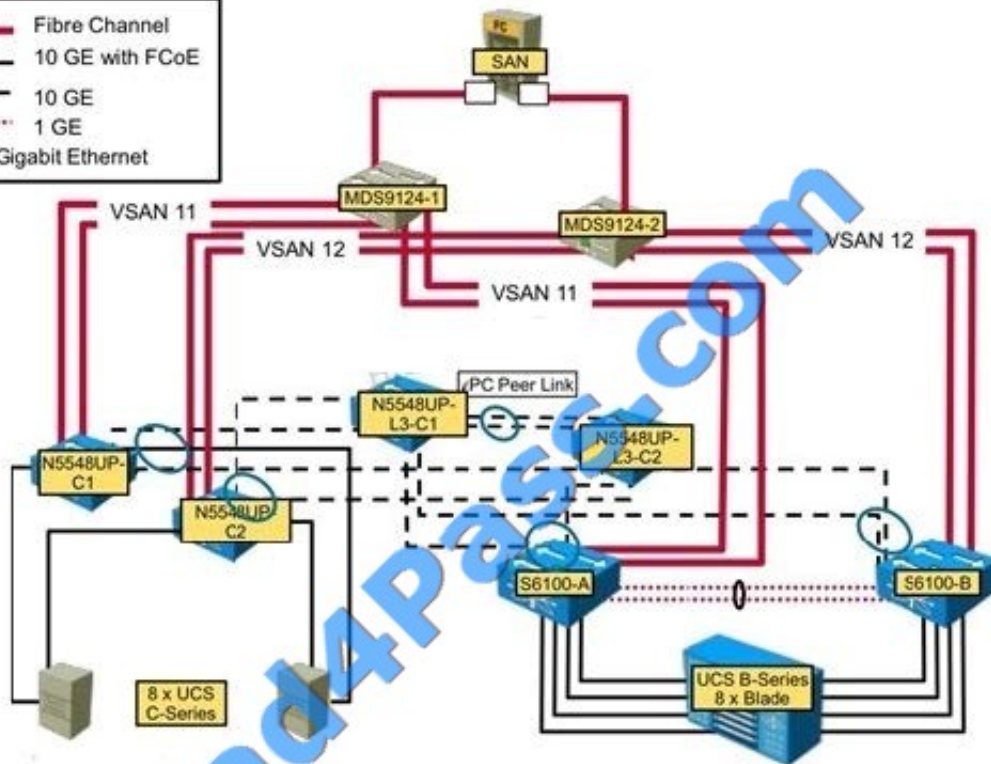
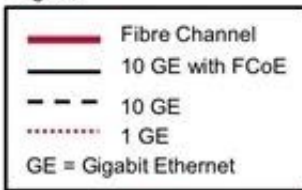
To access the multiple-choice questions, click on the numbered boxes on the left of the top panel.

There are four multiple-choice questions with this task.

Be sure to answer all four questions before selecting the Next button.



Legend:



```
Exhibit2
interface Vethernet749
description server 1/1, VNIC vNIC0
switchport mode trunk
untagged cos 4
no pinning server sticky
pinning server pinning-failure link-d
```



Refer to the Exhibit 2 screenshot of the NX-OS shell CLI in UCS Manager. What LAN policy correlates with the line "pinning server pinning-failure link-down"?

- A. Dynamic vNIC Connection
- B. Link Protocol
- C. Flow Control
- D. Network Control

Correct Answer: D

Reference: <http://www.cisco.com/c/en/us/support/docs/servers-unified-computing/ucs-5100-seriesblade-server-chassis/116075-ucs-app-connectivity-tshoot-00.html>

[http://www.cisco.com/c/en/us/td/docs/unified\\_computing/ucs/sw/gui/config/guide/2](http://www.cisco.com/c/en/us/td/docs/unified_computing/ucs/sw/gui/config/guide/2)

[2/b\\_UCSM\\_GUI\\_Configuration\\_Guide\\_2\\_2/b\\_UCSM\\_GUI\\_Configuration\\_Guide\\_2\\_2\\_chapter\\_01](#)

[0101.html#concept\\_80DD753607A0427A9874F278E172F2FA](#)

#### QUESTION 4





**Instructions**

Open the windows by clicking on the minimized title at the bottom of the viewing area. Windows can be minimized by clicking on the [-], repositioned by dragging the title bar, and resized by using the handle at the lower right corner to customize the viewing area.

If you are required to access the devices to complete this scenario, the mouse cursor will use a hand symbol when moved over device icons. Click the icon to open a device terminal to interact with the hardware.

Open the **Questions** window and begin by clicking a question number. When you have completed answering all questions, click **Done** to continue.

**Scenario**

Use your UCS knowledge on Fabric Interconnect Failover to answer the questions associated with the UCS cluster.

```
Exhibit1
JCS-A# show cluster state
Cluster Id: 0xfc436fa8b68511e0-0xa370000573cb6c04

A: UP, PRIMARY
B: UP, SUBORDINATE

HA READY
JCS-A# connect local-mgmt
Cisco Nexus Operating System (NX-OS) Software
TAC support: http://www.cisco.com/tac
Copyright (c) 2002-2011, Cisco Systems, Inc. All rights reserved.
The copyrights to certain works contained in this software are
owned by other third parties and used and distributed under
license. Certain components of this software are licensed under
the GNU General Public License (GPL) version 2.0 or the GNU
Lesser General Public License (LGPL) Version 2.1. A copy of each
such license is available at
http://www.opensource.org/licenses/gpl-2.0.php and
http://www.opensource.org/licenses/lgpl-2.1.php

JCS-A(local-mgmt)# cluster lead b
JCS-A(local-mgmt)#
```

Hot Area:

- Questions**
- 1 The connect local-mgmt command is required
  - 2  to allow the fabric interconnect to use the force command to be subordinate.
  - 3  To allow local management of the cluster to be configured.  
 To configure HA on all fabric interconnect.  
 To enable the fabric interconnect for a different HA state.

Correct Answer:

- Questions**
- 1 The connect local-mgmt command is required
  - 2  to allow the fabric interconnect to use the force command to be subordinate.
  - 3  To allow local management of the cluster to be configured.  
 To configure HA on all fabric interconnect.  
 To enable the fabric interconnect for a different HA state.

### QUESTION 5



What are the default settings of the Cisco IMCCIMC NIC properties on a standalone Cisco UCS C-Series server?

- A. 'Shared LOM' NIC mode with 'Active-active' NIC redundancy and DHCP enabled
- B. 'Shared LOM' NIC mode with 'Active-standby' NIC redundancy and DHCP enabled
- C. 'Dedicated' NIC mode with 'Active-standby' NIC redundancy DHCP disabled
- D. 'Dedicated' NIC mode with 'None' NIC redundancy and DHCP enabled
- E. 'Cisco Card' NIC mode with 'Active-active' NIC redundancy and DHCP enabled

Correct Answer: D

[642-999 PDF Dumps](#)

[642-999 Study Guide](#)

[642-999 Braindumps](#)



To Read the [Whole Q&As](#), please purchase the [Complete Version](#) from [Our website](#).

## Try our product !

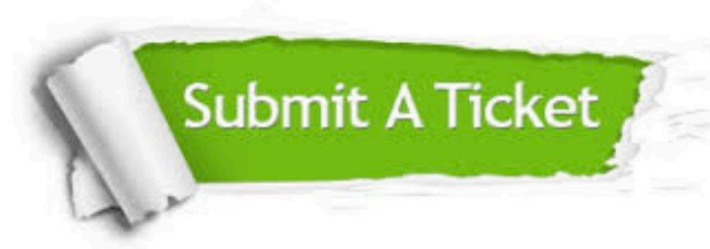
100% Guaranteed Success  
100% Money Back Guarantee  
365 Days Free Update  
Instant Download After Purchase  
24x7 Customer Support  
Average 99.9% Success Rate  
More than 800,000 Satisfied Customers Worldwide  
Multi-Platform capabilities - [Windows](#), [Mac](#), [Android](#), [iPhone](#), [iPod](#), [iPad](#), [Kindle](#)

We provide exam PDF and VCE of Cisco, Microsoft, IBM, CompTIA, Oracle and other IT Certifications. You can view Vendor list of All Certification Exams offered:

<https://www.lead4pass.com/allproducts>

## Need Help

Please provide as much detail as possible so we can best assist you.  
To update a previously submitted ticket:



 <p><b>One Year Free Update</b> Free update is available within One Year after your purchase. After One Year, you will get 50% discounts for updating. And we are proud to boast a 24/7 efficient Customer Support system via Email.</p>	 <p><b>Money Back Guarantee</b> To ensure that you are spending on quality products, we provide 100% money back guarantee for 30 days from the date of purchase.</p>	 <p><b>Security &amp; Privacy</b> We respect customer privacy. We use McAfee's security service to provide you with utmost security for your personal information &amp; peace of mind.</p>
---	---	--

Any charges made through this site will appear as Global Simulators Limited.  
All trademarks are the property of their respective owners.  
Copyright © lead4pass, All Rights Reserved.