



642-889^{Q&As}

Implementing Cisco Service Provider Next-Generation Edge Network Services

Pass Cisco 642-889 Exam with 100% Guarantee

Free Download Real Questions & Answers **PDF** and **VCE** file from:

<https://www.lead4pass.com/642-889.html>

100% Passing Guarantee
100% Money Back Assurance

Following Questions and Answers are all new published by Cisco
Official Exam Center

-  **Instant Download** After Purchase
-  **100% Money Back** Guarantee
-  **365 Days** Free Update
-  **800,000+** Satisfied Customers





QUESTION 1

In a network where Provider Backbone Bridge (PBB) is implemented, what is the function of MIRP-Lite when a topology change occurs?

- A. Maps S-Tags to I-SIDs
- B. Enables fast failover between the BEB and a dual-homed downstream device
- C. Signals I-SID to B-MAC mappings to remote BEBs
- D. Initiates a flush of remote MAC tables

Correct Answer: D

QUESTION 2

Carrier A, a large global service provider, recently acquired two smaller providers, Carrier B in Europe and Carrier C in North America. All providers offer MPLS services to their customers and have interconnected MPLS through Carrier A. A large customer requests MPLS VPN services between its local in North America and regional locations in Europe.

After the services are established, which two results occur? (Choose two.)

- A. The VPNv4 label exchange is transparent to the backbone carrier
- B. Carrier A holds the internal routes only of the smaller carrier, not of the enterprise customer
- C. The backbone Carrier A holds the VRF information for the enterprise customer on the CSC CE routers
- D. To transport VPNv4 information, an MP-IBGP session is not required between the customer carrier routers at different POP sites
- E. MPLS label exchange, which is used only for IP routing in the CSC architecture, requires only IGP and BGP

Correct Answer: AD

QUESTION 3

Which two characteristics are associated with the implementation of Q-in-Q tunneling? (Choose two.)

- A. MAC address-based frame distribution should be used
- B. IGMP snooping must be disabled on the tunnel VLANs
- C. CoPP is supported
- D. Dot1x tunneling is supported
- E. Asymmetrical links support DTP

Correct Answer: AB



QUESTION 4

Which flavor of MPLS Layer 3 VPN has MPLS enabled on PE-CE links?

- A. basic
- B. CSC
- C. inter-AS D. AToM
- E. VPLS

Correct Answer: B



CE router: A customer edge router is part of a customer network and interfaces to a provider edge (PE) router. In this document, the CE router sits on the edge of the customer carrier network.

PE router: A provider edge router is part of a service provider's network connected to a customer edge (CE) router. In this document, the PE routers sits on the edge of the backbone carrier network.

ASBR: In this document, an autonomous system boundary router connects one autonomous system to another.

See the [Glossary](#) for the complete definitions of these terms.

In this example, only the backbone carrier uses MPLS. The customer carrier (ISP) uses only IP. As a result, the backbone carrier must carry all the Internet routes of the customer carrier, which could be as many as 100,000 routes. This poses a scalability problem for the backbone carrier. To solve the scalability problem, the backbone carrier is configured as follows:

- The backbone carrier allows only internal routes of the customer carrier (IGP routes) to be exchanged between the CE routers of the customer carrier and the PE routers of the backbone carrier.
- MPLS is enabled on the interface between the CE router of the customer carrier and the PE router of the backbone carrier.

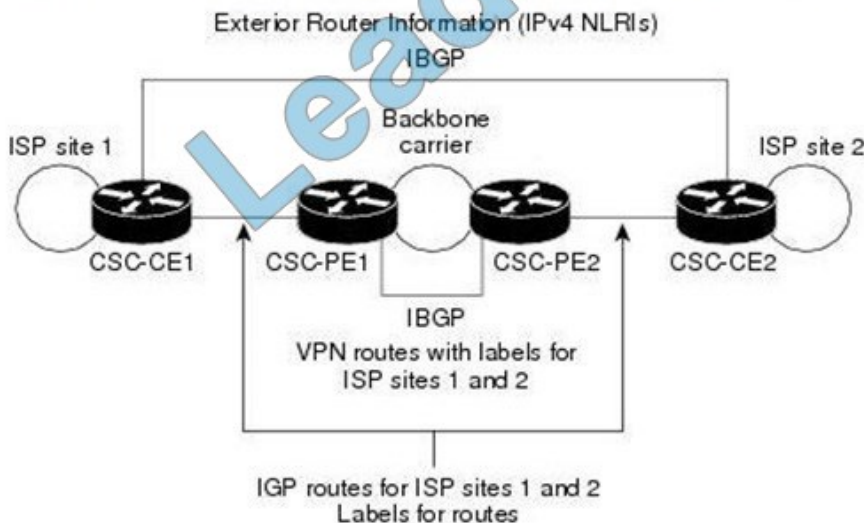
Internal and external routes are differentiated this way:

- Internal routes go to any of the routers within the ISP.
- External routes go to the Internet.

The number of internal routes is much smaller than the number of external routes. Restricting the routes between the CE routers of the customer carrier and the PE routers of the backbone carrier significantly reduces the number of routes that the PE router needs to maintain.

Since the PE routers do not have to carry external routes in the VRF routing table, they can use the incoming label in the packet to forward the customer carrier Internet traffic. Adding MPLS to the routers provides a consistent method of transporting packets from the customer carrier to the backbone carrier. MPLS allows the exchange of an MPLS label between the PE and the CE routers for every internal customer carrier route. The routers in the customer carrier have all the external routes either through IBGP or route redistribution to provide Internet connectivity. [Figure 2](#) shows how information is exchanged when the network is configured in this manner.

Figure 2 Backbone Carrier Exchanging Routing Information with a Customer Carrier Who Is an ISP



QUESTION 5

Which type of device is present only in an H-VPLS infrastructure, which differentiates it from VPLS?

- A. PE
- B. CE
- C. n-PE



D. u-PE

Correct Answer: D

[642-889 Practice Test](#)

[642-889 Study Guide](#)

[642-889 Exam Questions](#)



To Read the [Whole Q&As](#), please purchase the [Complete Version](#) from [Our website](#).

Try our product !

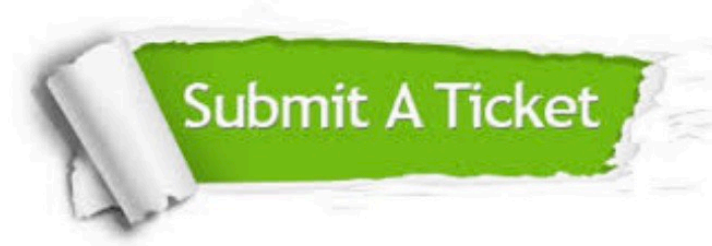
100% Guaranteed Success
100% Money Back Guarantee
365 Days Free Update
Instant Download After Purchase
24x7 Customer Support
Average 99.9% Success Rate
More than 800,000 Satisfied Customers Worldwide
Multi-Platform capabilities - [Windows](#), [Mac](#), [Android](#), [iPhone](#), [iPod](#), [iPad](#), [Kindle](#)

We provide exam PDF and VCE of Cisco, Microsoft, IBM, CompTIA, Oracle and other IT Certifications. You can view Vendor list of All Certification Exams offered:

<https://www.lead4pass.com/allproducts>

Need Help

Please provide as much detail as possible so we can best assist you.
To update a previously submitted ticket:



 <p>One Year Free Update Free update is available within One Year after your purchase. After One Year, you will get 50% discounts for updating. And we are proud to boast a 24/7 efficient Customer Support system via Email.</p>	 <p>Money Back Guarantee To ensure that you are spending on quality products, we provide 100% money back guarantee for 30 days from the date of purchase.</p>	 <p>Security & Privacy We respect customer privacy. We use McAfee's security service to provide you with utmost security for your personal information & peace of mind.</p>
---	---	--

Any charges made through this site will appear as Global Simulators Limited.
All trademarks are the property of their respective owners.
Copyright © lead4pass, All Rights Reserved.