



642-447^{Q&As}

Implementing Cisco Unified Communications Manager, Part 1 v8.0
(CIPT1 v8.0)

Pass Cisco 642-447 Exam with 100% Guarantee

Free Download Real Questions & Answers **PDF** and **VCE** file from:

<https://www.lead4pass.com/642-447.html>

100% Passing Guarantee
100% Money Back Assurance

Following Questions and Answers are all new published by Cisco
Official Exam Center

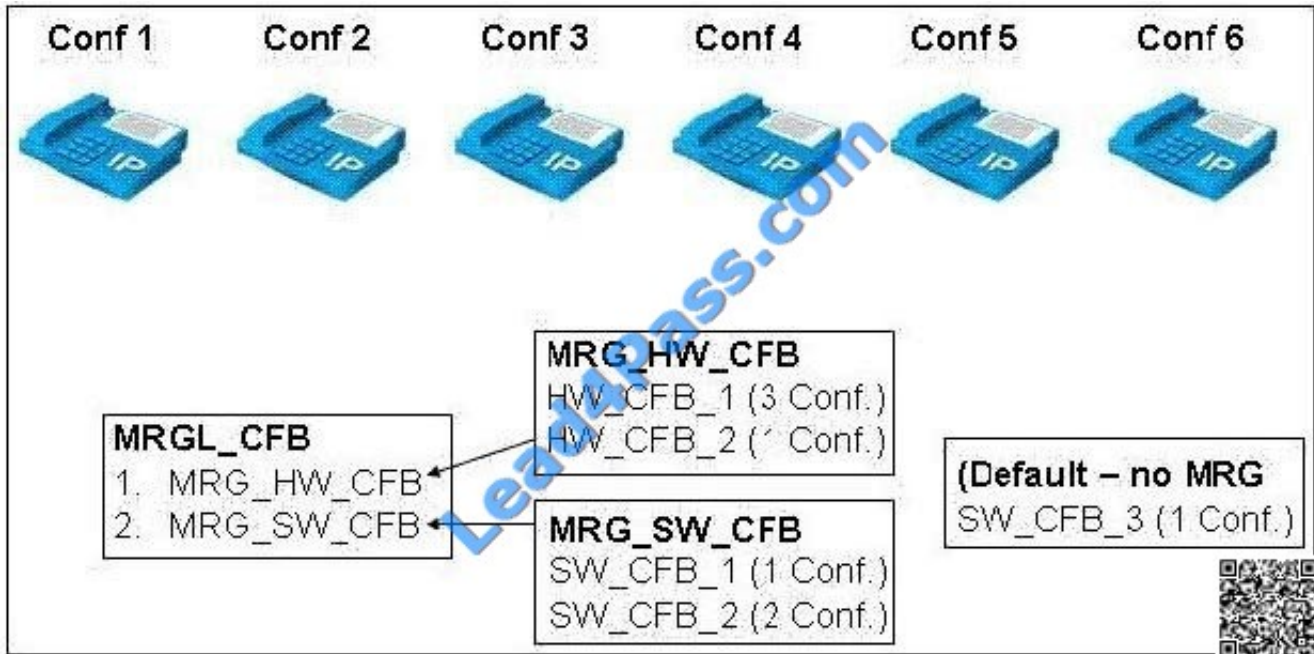
-  **Instant Download** After Purchase
-  **100% Money Back** Guarantee
-  **365 Days** Free Update
-  **800,000+** Satisfied Customers





QUESTION 1

Refer to the exhibit.



You have six IP phones configured to use MRGL_CFB. Each phone is making a conference call. Which conference resource does the sixth conference use?

- A. HW_CFB_1
- B. HW_CFB_2
- C. SW_CFB_1
- D. SW_CFB_2
- E. SW_CFB_3

Correct Answer: D

QUESTION 2

Refer to the exhibit. What CSS should be assigned to a phone in the Phones partition to block calls to international numbers while allowing all other calls?



Partition = Phones Route Pattern X11	CSS A Phones
Partition = Service_Numbers Route Pattern X11	International
Partition = Local_PSTN Route Pattern X11 Route Pattern 9.@	CSS B LongDistance_PSTN
Partition = LongDistance_PSTN Route Pattern X11 Route Pattern 9.[2-9]XXXXXX Route Pattern 9.1[2-9]XX[2-9]XXXXX	CSS C Phones LongDistance_PSTN
Partition = International Route Pattern 9.011!	CSS D Phones Service_Numbers Local_PSTN LongDistance_P

- A. CSS A
- B. CSS B
- C. CSS C
- D. CSS D

Correct Answer: C

QUESTION 3

Which two of these are characteristics of a Cisco Unified Communications Manager software conference resource?
(Choose two.)

- A. The number of participants is based on the number of DSP resources available.
- B. If Cisco Unified Communications Manager is co-resident on the same server, the maximum number of audio streams per server is 128
- C. It supports any combination of codec types.
- D. Any combination of G.711 mu-law, G.711 a-law, or wideband audio streams may be connected.
- E. It supports only unicast audio streams.
- F. It supports both unicast and multicast audio streams.

Correct Answer: DE

: The number of maximum audio stream per server is always 128. Software conference devices support G.711 codecs by default , Software conference is not depends on DSP resources.

Link:

http://www.cisco.com/en/US/docs/voice_ip_comm/cucm/admin/8_5_1/ccmsys/a05confb.html Reference :

Cisco Unified Communications Manager System Guide Release 8.5(1), page-300.



QUESTION 4

Which two are requirements for configuring a gatekeeper-controlled intercluster trunk? (Choose two.)

- A. The assigned name must be unique within the cluster.
- B. The Cisco Unified CallManager group in the assigned device pool will determine which Cisco Unified CallManager systems register with the gatekeeper.
- C. RSVP must be enabled to provide CAC between clusters.
- D. The gatekeeper must be defined in Cisco Unified CallManager before the intercluster trunk is added

Correct Answer: AD

QUESTION 5

Which two items are needed to configure MeetMe Conference? (Choose two.)

- A. description
- B. partition
- C. calling search space
- D. minimum security level
- E. directory number or pattern
- F. device pool
- G. region

Correct Answer: DE

[642-447 PDF Dumps](#)

[642-447 VCE Dumps](#)

[642-447 Exam Questions](#)



To Read the [Whole Q&As](#), please purchase the [Complete Version](#) from [Our website](#).

Try our product !

100% Guaranteed Success
100% Money Back Guarantee
365 Days Free Update
Instant Download After Purchase
24x7 Customer Support
Average 99.9% Success Rate
More than 800,000 Satisfied Customers Worldwide
Multi-Platform capabilities - [Windows](#), [Mac](#), [Android](#), [iPhone](#), [iPod](#), [iPad](#), [Kindle](#)

We provide exam PDF and VCE of Cisco, Microsoft, IBM, CompTIA, Oracle and other IT Certifications. You can view Vendor list of All Certification Exams offered:

<https://www.lead4pass.com/allproducts>

Need Help

Please provide as much detail as possible so we can best assist you.
To update a previously submitted ticket:



 <p>One Year Free Update Free update is available within One Year after your purchase. After One Year, you will get 50% discounts for updating. And we are proud to boast a 24/7 efficient Customer Support system via Email.</p>	 <p>Money Back Guarantee To ensure that you are spending on quality products, we provide 100% money back guarantee for 30 days from the date of purchase.</p>	 <p>Security & Privacy We respect customer privacy. We use McAfee's security service to provide you with utmost security for your personal information & peace of mind.</p>
---	---	--

Any charges made through this site will appear as Global Simulators Limited.
All trademarks are the property of their respective owners.
Copyright © lead4pass, All Rights Reserved.