

600-660^{Q&As}

Implementing Cisco Application Centric Infrastructure - Advanced

Pass Cisco 600-660 Exam with 100% Guarantee

Free Download Real Questions & Answers **PDF** and **VCE** file from:

<https://www.leads4pass.com/600-660.html>

100% Passing Guarantee
100% Money Back Assurance

Following Questions and Answers are all new published by Cisco
Official Exam Center

-  **Instant Download** After Purchase
-  **100% Money Back** Guarantee
-  **365 Days** Free Update
-  **800,000+** Satisfied Customers



QUESTION 1

Which two components must be configured as stretched to establish intra-VRF communication between two EPGs that are deployed in different sites and different bridge domains? (Choose two.)

- A. contract
- B. tenant
- C. application profile
- D. bridge domain
- E. EPG

Correct Answer: DE

Reference: <https://www.cisco.com/c/en/us/solutions/collateral/data-center-virtualization/application-centric-infrastructure/white-paper-c11-739609.html>

QUESTION 2

Where are STP BPDUs flooded in Cisco ACI fabric?

- A. in the bridge domain VLAN
- B. in the native VLAN ID
- C. in the access encapsulation VLAN part of different VLAN pools
- D. in the VNID that is assigned to the FD VLAN

Correct Answer: A

Reference: <https://www.cisco.com/c/en/us/solutions/collateral/data-center-virtualization/application-centric-infrastructure/white-paper-c11-737909.html>

QUESTION 3

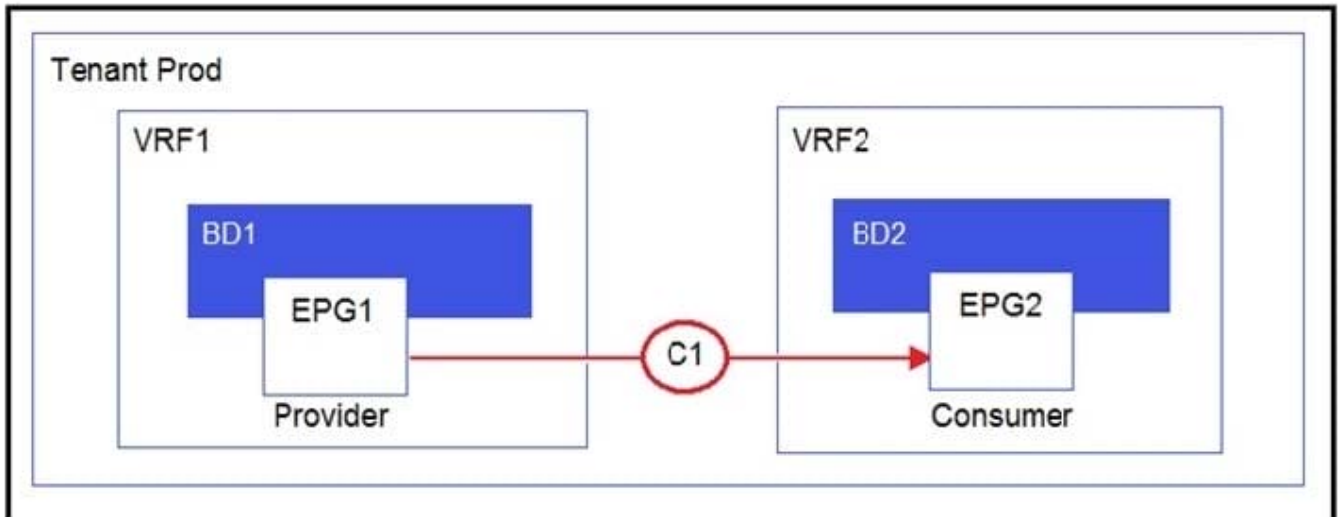
An engineer must limit local and remote endpoint learning to the bridge domain subnet. Which action should be taken inside the Cisco APIC?

- A. Disable Remote EP Learn
- B. Enable Enforce Subnet Check
- C. Disable Endpoint Dataplane Learning
- D. Enable Limit IP Learning to Subnet

Correct Answer: B

Reference: <https://www.cisco.com/c/en/us/solutions/collateral/data-center-virtualization/application-centric-infrastructure/white-paper-c11-739989.html>

QUESTION 4



Refer to the exhibit. Which two configurations enable inter-VRF communication? (Choose two.)

- A. Set the subnet scope to Shared Between VRFs
- B. Enable Advertise Externally under the subnet scope
- C. Change the contract scope to Tenant
- D. Change the subject scope to VRF
- E. Export the contract and import as a contract interface

Correct Answer: BE

QUESTION 5

What are two characteristics of Cisco ACI interaction with MSTP? (Choose two.)

- A. A Cisco ACI leaf flushes all local endpoints in the received EPG when an MSTP TCN frame is received.
- B. A static path binding is required for native VLAN to carry the MST BPDUs in existing EPGs.
- C. Mis-cabling protocol is used to snoop the MSTP TCN packets.
- D. A dedicated EPG must be created for the native VLAN ID with static bindings toward the MSTP-enabled switches.
- E. The PVST simulation must be configured on external network switches to support MSTP.

Correct Answer: CD

[Latest 600-660 Dumps](#)

[600-660 PDF Dumps](#)

[600-660 Braindumps](#)