

## 600-660<sup>Q&As</sup>

Implementing Cisco Application Centric Infrastructure - Advanced

### Pass Cisco 600-660 Exam with 100% Guarantee

Free Download Real Questions & Answers **PDF** and **VCE** file from:

<https://www.leads4pass.com/600-660.html>

100% Passing Guarantee  
100% Money Back Assurance

Following Questions and Answers are all new published by Cisco  
Official Exam Center

- ⚙️ **Instant Download** After Purchase
- ⚙️ **100% Money Back** Guarantee
- ⚙️ **365 Days** Free Update
- ⚙️ **800,000+** Satisfied Customers



## QUESTION 1

Which two actions are the Cisco best practices to configure NIC teaming load balancing for Cisco UCS B-Series blades that are connected to the Cisco ACI leaf switches? (Choose two.)

- A. Create vPC+
- B. Enable LACP active mode
- C. Create PAgP
- D. Create vPC
- E. Enable MAC pinning

Correct Answer: BE

---

## QUESTION 2

An existing Cisco ACI Multi-Site setup with default fabric settings contains endpoints that communicate with an MTU of 1500. What is the minimum MTU value that must be supported by the ISN to allow control plane endpoint information exchange between sites?

- A. 9000
- B. 1554
- C. 9100
- D. 1600

Correct Answer: C

Reference: <https://www.cisco.com/c/en/us/support/docs/cloud-systems-management/application-policy-infrastructure-controller-apic/214270-configure-aci-multi-site-deployment.html>

---

## QUESTION 3

DRAG DROP

An engineer deploys a Cisco ACI Multi-Site Orchestrator for the first time. Drag and drop the actions from the left into the steps on the right to add a site and deploy new Cisco ACI objects to the fabric. Not all actions are used.

Select and Place:

- Create a template
- Configure infrastructure
- Create and associate a tenant
- Configure multicast routing
- Define a schema
- Create a site

- Step 1
- Step 2
- Step 3
- Step 4
- Step 5

Correct Answer:

- 
- 
- 
- Configure multicast routing
- 
- 

- Configure infrastructure
- Create and associate a tenant
- Define a schema
- Create a template
- Create a site

**QUESTION 4**

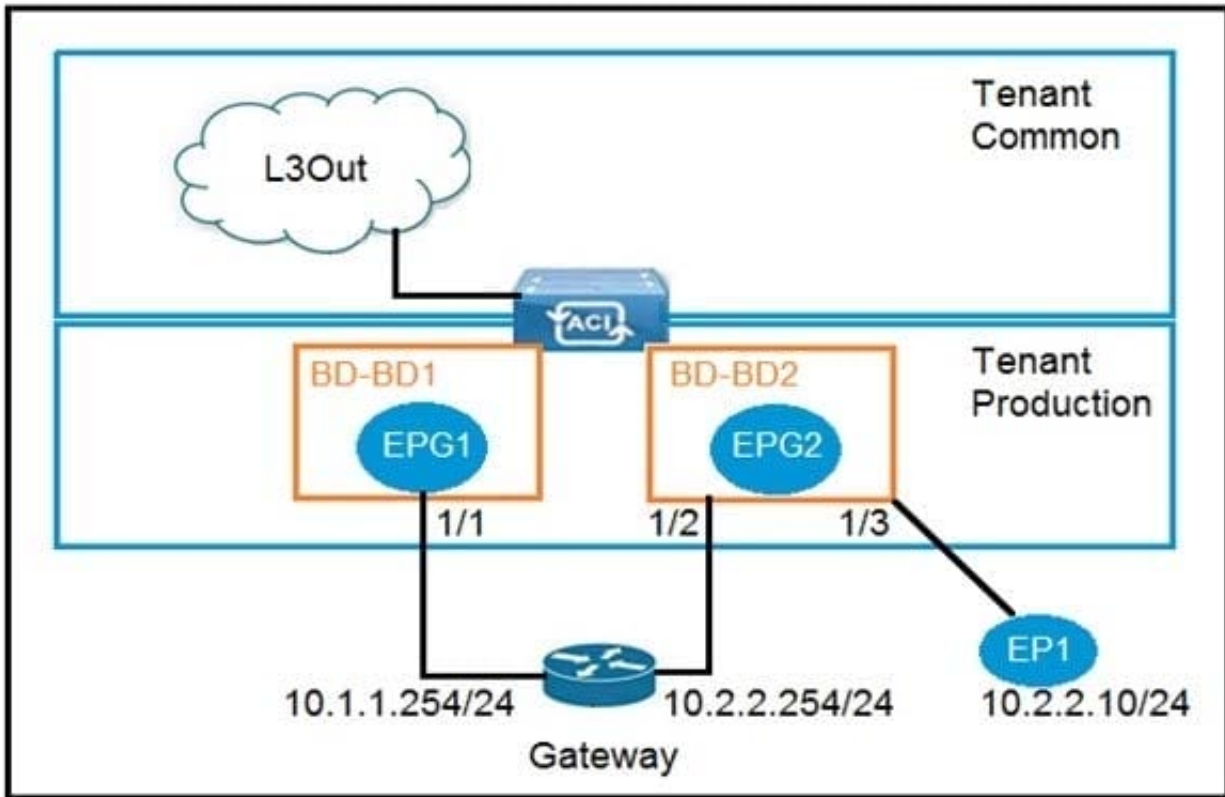
Which two actions should be taken to ensure a scalable solution when multiple EPGs in a VRF require unrestricted communication? (Choose two.)

- A. Configure a taboo contract between the EPGs that require unrestricted communication between each other.
- B. Enable Preferred Group Member under the EPG Collection for VRF section.
- C. Set the VRF policy control enforcement preference to Unenforced.
- D. Set the EPGs that require unrestricted communication between each other as preferred group members.
- E. Set the EPGs that require policy enforcement between each other as preferred group members.

Correct Answer: CD

Reference: [https://www.cisco.com/c/en/us/td/docs/switches/datacenter/aci/apic/sw/4-x/basic-configuration/Cisco-APIC-Basic-Configuration-Guide-42x/Cisco-APIC-Basic-Configuration-Guide-42x\\_chapter\\_0110.html](https://www.cisco.com/c/en/us/td/docs/switches/datacenter/aci/apic/sw/4-x/basic-configuration/Cisco-APIC-Basic-Configuration-Guide-42x/Cisco-APIC-Basic-Configuration-Guide-42x_chapter_0110.html)

QUESTION 5



Refer to the exhibit. An engineer wants to avoid connectivity problems for the endpoint EP1 when it reaches an external L3Out network through the gateway 10.2.2.254/24. Which two configurations must be implemented in BD-BD2? (Choose two.)

- A. Disable unicast routing
- B. Enable IP data plane learning for the VRF
- C. Disable ARP flooding
- D. Enable ARP flooding
- E. Enable unicast routing

Correct Answer: AC

[Latest 600-660 Dumps](#)

[600-660 VCE Dumps](#)

[600-660 Study Guide](#)