

5V0-21.19^{Q&As}

VMware vSAN 6.7 Specialist Exam 2019

Pass VMware 5V0-21.19 Exam with 100% Guarantee

Free Download Real Questions & Answers **PDF** and **VCE** file from:

<https://www.leads4pass.com/5v0-21-19.html>

100% Passing Guarantee
100% Money Back Assurance

Following Questions and Answers are all new published by VMware
Official Exam Center

-  **Instant Download** After Purchase
-  **100% Money Back** Guarantee
-  **365 Days** Free Update
-  **800,000+** Satisfied Customers



QUESTION 1

An administrator of a vSAN 6.5 environment is planning a path to move to unicast for the vSAN network. How will the administrator achieve this?

- A. Enable LACP on vSAN switch ports.
- B. Upgrade vCenter and vSAN nodes to vSAN 6.6 or later.
- C. Enable unicast on the vSAN interfaces.
- D. Disable multicast for vSAN using ESXCLI commands.

Correct Answer: B

QUESTION 2

Which two conditions should be verified before removing the ESXi host from a vSAN cluster? (Choose two.)

- A. Data evacuation is complete.
- B. Encryption is disabled.
- C. ESXi host is in maintenance mode.
- D. Resyncs are running.
- E. All objects are currently healthy.

Correct Answer: CE

Reference: <https://vsan-essentials.gitbooks.io/vsan-6-2/content/chapter7.html>

QUESTION 3

The data on a failed disk group is being rebuilt on other disk groups. Negative performance impact to VMs is being reported.

What can be used to reduce the negative performance impact on the VMs?

- A. resync throttling
- B. maintenance mode
- C. proactive rebalance
- D. disk group data evacuation

Correct Answer: C

QUESTION 4

What is the configured default time of vSAN Health?

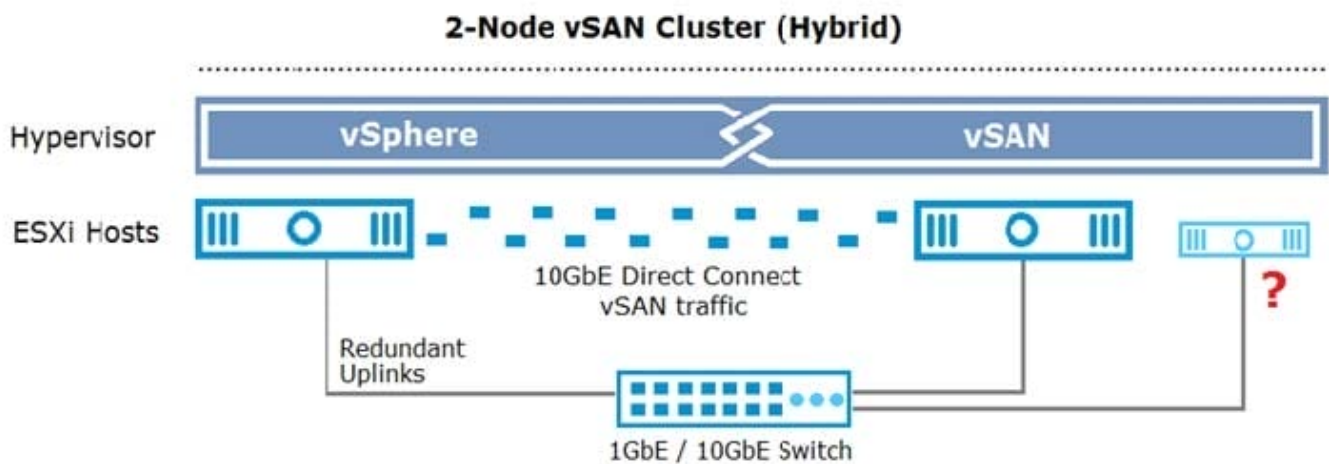
- A. 10 minutes
- B. 15 minutes
- C. 30 minutes
- D. 60 minutes

Correct Answer: D

Reference: <https://www.vmware.com/content/dam/digitalmarketing/vmware/en/pdf/products/vsan/vmwarevirtual-san-health-check-guide-6.1.pdf>

QUESTION 5

Refer to the red question mark in the exhibit.



When designing a 2-node vSAN cluster, which missing configuration requirement prevents a split-brain scenario?

- A. vRealize Operations Manager
- B. vSAN Witness Host
- C. vCenter Server
- D. vRealize Log Insight

Correct Answer: B

Reference: <https://storagehub.vmware.com/static/media/9352db50-6eef-45c8-9646-8ccf2175e59b.pdf>