

5V0-11.21^{Q&As}

VMware Cloud on AWS Master Specialist

Pass VMware 5V0-11.21 Exam with 100% Guarantee

Free Download Real Questions & Answers **PDF** and **VCE** file from:

<https://www.leads4pass.com/5v0-11-21.html>

100% Passing Guarantee
100% Money Back Assurance

Following Questions and Answers are all new published by VMware
Official Exam Center

-  **Instant Download** After Purchase
-  **100% Money Back** Guarantee
-  **365 Days** Free Update
-  **800,000+** Satisfied Customers



QUESTION 1

Which two network types can be extended with VMware HCX Network Extension? (Choose two.)

- A. vSphere Distributed Switch VLAN Networks
- B. NSX Overlay Networks
- C. Trunk Networks
- D. vSphere Standard Switch VLAN Networks
- E. Private VLAN Networks

Correct Answer: AB

QUESTION 2

A virtual machine in VMware Cloud on AWS sends a packet to an Amazon Elastic Compute Cloud (EC2) Linux instance in the associated AWS account. Which device is the next hop for the packet?

- A. Edge Virtual Machine
- B. AWS Elastic Network Adapter (ENA) on the VMware ESXI host
- C. Tier-0 (T0) Router
- D. Tier-1 (T1) Router

Correct Answer: B

QUESTION 3

An administrator is planning to migrate a VMware vSphere environment to VMware Cloud on AWS. A first analysis returns the following specifications: 37 virtual machines will be live migrated All virtual machines have been created using VMware vSphere 5.0 (Compatibility Version 8) All virtual machines are connected to Standard Switches The bandwidth between the local data center and VMware Cloud on AWS is 250 Mbps

What are two valid approaches for live migrating these virtual machines? (Choose two.)

- A. Upgrade Virtual Machine Compatibility to Version 9. Ensure Standard Switch is named the same as the target segment in VMware Cloud on AWS. Activate and deploy VMware HCX. Let HCX configure Enhanced vMotion Compatibility (EVC) automatically.
- B. Upgrade Virtual Machine Compatibility to Version 9. Configure Hybrid Linked Mode for Cross vCenter vMotion. Configure AWS Direct Connect Private VIF. Configure Enhanced vMotion Compatibility (EVC) on the source virtual machines as required.
- C. Upgrade Virtual Machine Compatibility to Version 9. Migrate the Virtual Machines to a Distributed Virtual Switch. Activate and deploy VMware HCX. Let HCX configure Enhanced vMotion Compatibility (EVC) automatically.

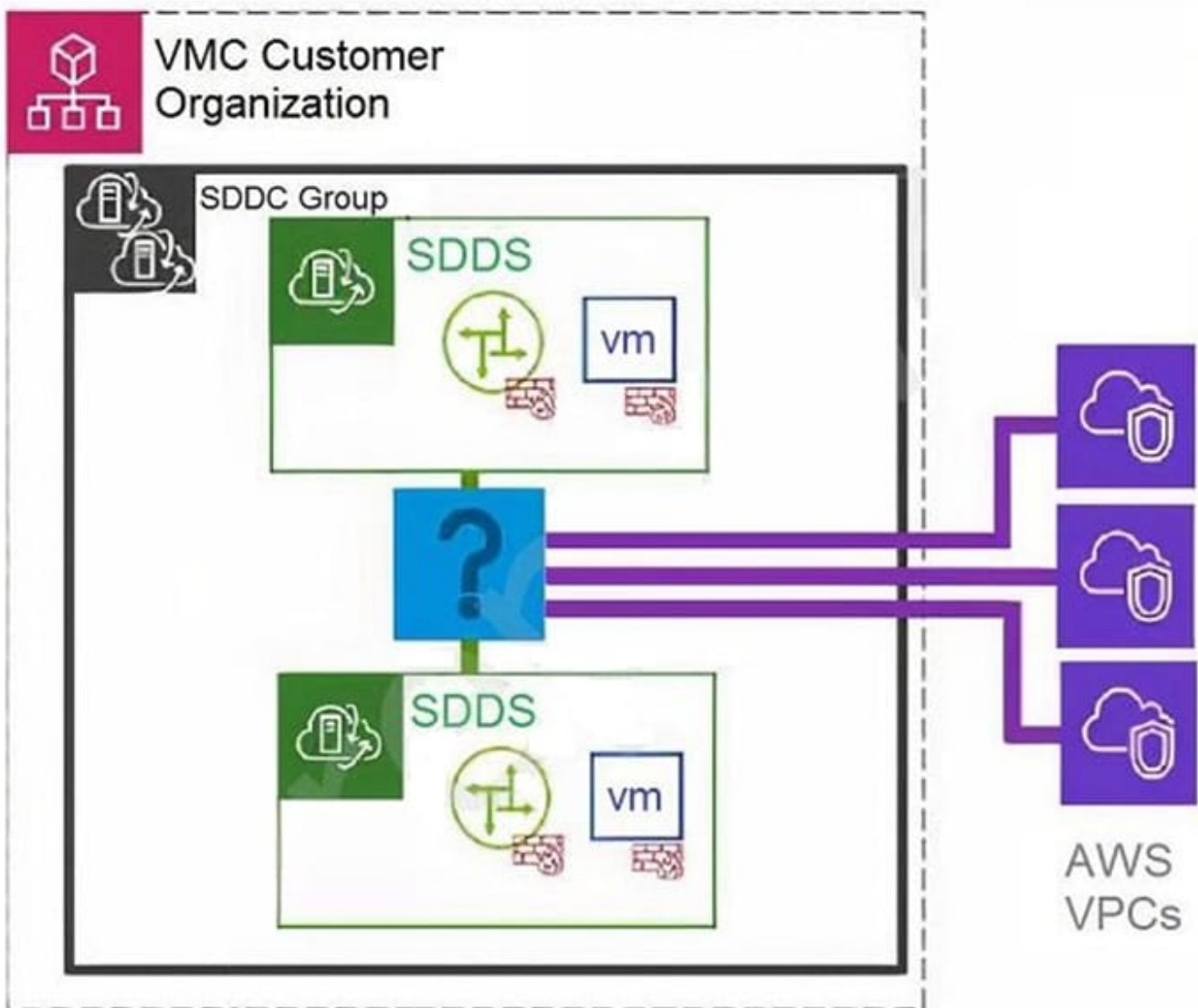
D. Upgrade the bandwidth between the local data center and VMware Cloud on AWS to 400 Mbps. Migrate the virtual machines to a Distributed Virtual Switch. Activate and deploy VMware HCX. Let HCX configure Enhanced vMotion Compatibility (EVC) automatically.

E. Upgrade the bandwidth between the local data center and VMware Cloud on AWS to 400 Mbps. Configure Hybrid Linked Mode for Cross vCenter vMotion. Configure AWS Direct Connect Private VIF. Configure Enhanced vMotion Compatibility (EVC) on the target software-defined data center (SDDC) as required.

Correct Answer: BE

QUESTION 4

Refer to the exhibit.



An administrator builds a software-defined data center (SDDC) group to enable connectivity to native Amazon Virtual Private Clouds (VPCs). Which connectivity option is needed to enable connectivity across environments?

- A. Tier-0 (T0) Router
- B. Transit Gateway
- C. Virtual Private Network
- D. The Default Storage Scale-Out policy storage threshold is set 5% higher than the other Elastic DRS storage policies.

Correct Answer: A

QUESTION 5

A user with an Organization Member role would like to add another user to an organization. How would this be accomplished?

- A. Only users with an Organization Owner role can invite and add users to the organization.
- B. The user with an Organization Member role needs to have CloudAdmin permissions in order to add a new user.
- C. The user with an Organization Member role will be able to add a new user through the Identity and Access Management page.
- D. Users with an Organization Member role are automatically granted access to all roles within VMware Cloud on AWS.

Correct Answer: A

[5V0-11.21 PDF Dumps](#)

[5V0-11.21 Study Guide](#)

[5V0-11.21 Exam Questions](#)