

## 50-696<sup>Q&As</sup>

Foundations of Novell Open Enterprise Server NetWare

### Pass Novell 50-696 Exam with 100% Guarantee

Free Download Real Questions & Answers **PDF** and **VCE** file from:

<https://www.leads4pass.com/50-696.html>

100% Passing Guarantee  
100% Money Back Assurance

Following Questions and Answers are all new published by Novell  
Official Exam Center

-  **Instant Download** After Purchase
-  **100% Money Back** Guarantee
-  **365 Days** Free Update
-  **800,000+** Satisfied Customers



## QUESTION 1

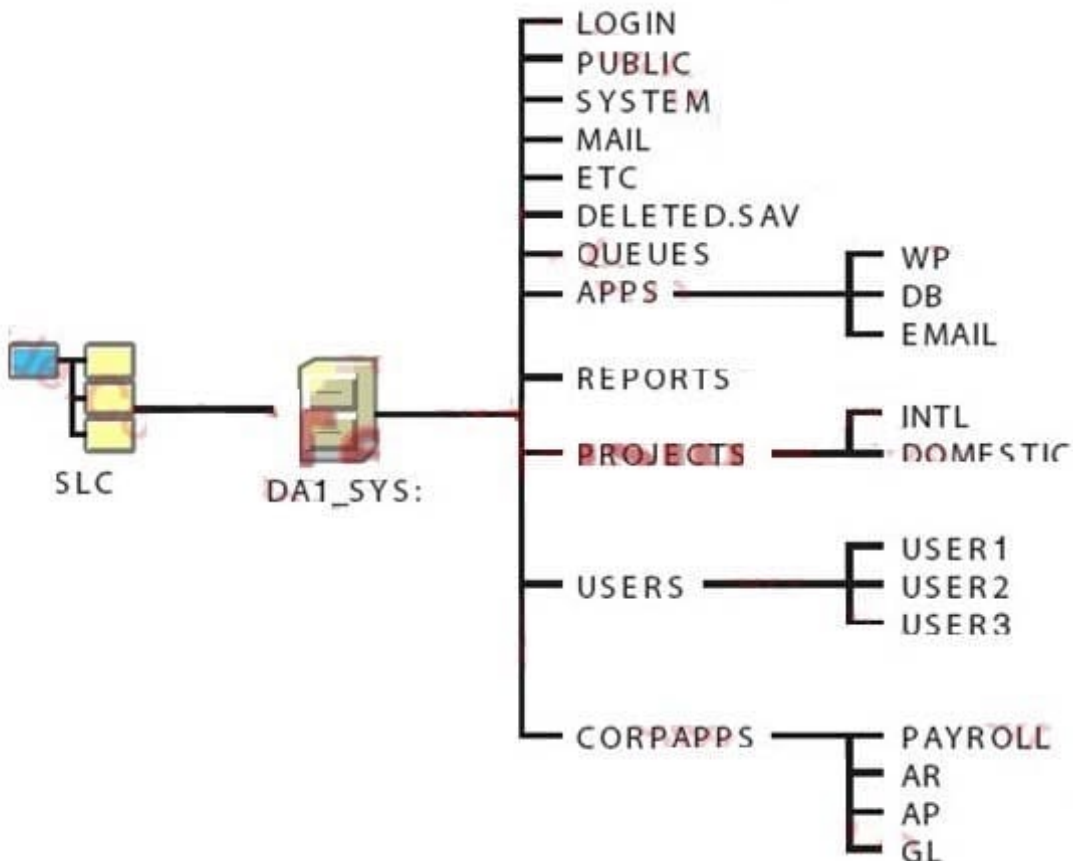
Which of the following volume implementation strategies protects data by writing the same information redundantly to two or more hard disks at the same time?

- A. Parity
- B. Striping
- C. Spanning
- D. Mirroring

Correct Answer: D

## QUESTION 2

Click the Exhibit button to begin.



Which elements of the file system design shown in the exhibit violate Novell's recommendations? (Choose 2.)

- A. The LOGIN directory isn't needed.
- B. The design should have more than one volume.

- C. The ETC directory should be placed under the USERS directory.
- D. The APPS directory should be placed under the SYSTEM directory.
- E. The QUEUES directory should be moved under the PUBLIC directory.
- F. User and application directories should be moved to a volume other than SYS.

Correct Answer: BF

---

**QUESTION 3**

You recently purchased and installed a SCSI RAID5 disk array in your OES NetWare server to store large user files. You need to configure your system files to automatically load the drivers on boot. Which file should you edit to do this?

- A. RAID.NCF
- B. SERVER.EXE
- C. CONFIG.SYS
- D. STARTUP.NCF
- E. STARTUP.CFG
- F. AUTOEXEC.BAT

Correct Answer: D

---

**QUESTION 4**

Which describes the role of the iPrint printer agent?

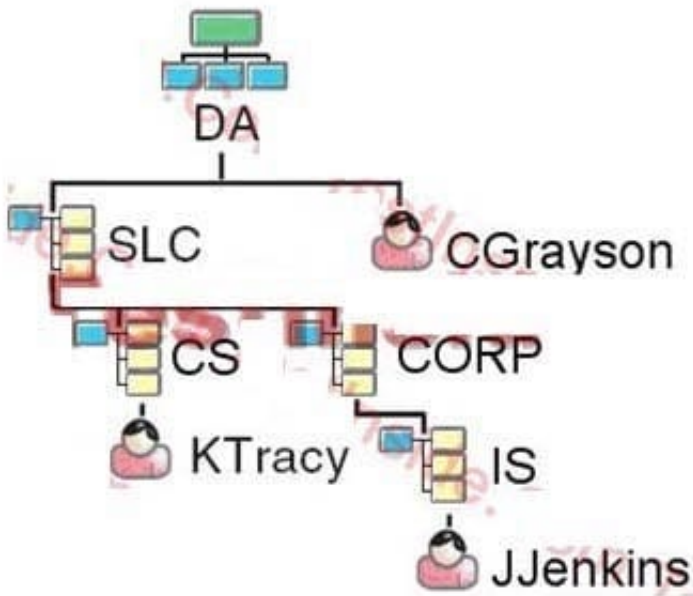
- A. It downloads the correct print driver to the workstation.
- B. It responds to queries from clients about the status of a print job.
- C. It provides a platform for printer objects that reside on the server.
- D. It allows NDPS clients to send print jobs to printers that are not NDPS-aware.
- E. It redirects print jobs to a directory on the server while waiting for the printer to become available.
- F. It takes application-specific data from the application creating the print job and reformats it to work with the printer it is being sent to.

Correct Answer: B

---

**QUESTION 5**

Click the Exhibit button to begin.



Your current context is .CORP.SLC. D

- A. What is the relative distinguished name of the JJenkins user object?
- B. JJenkins
- C. JJenkins.IS
- D. IS.JJenkins
- E. JJenkins.IS.CORP
- F. CORP.IS.JJenkins
- G. JJenkins.IS.CORP.SLC
- H. JJenkins.IS.CORP.SLC. DA

Correct Answer: B

[Latest 50-696 Dumps](#)

[50-696 Study Guide](#)

[50-696 Exam Questions](#)