

## 4A0-C01<sup>Q&As</sup>

Nokia NRS II Composite Exam

**Pass Nokia 4A0-C01 Exam with 100% Guarantee**

Free Download Real Questions & Answers **PDF** and **VCE** file from:

<https://www.leads4pass.com/4a0-c01.html>

100% Passing Guarantee  
100% Money Back Assurance

Following Questions and Answers are all new published by Nokia  
Official Exam Center

-  **Instant Download** After Purchase
-  **100% Money Back** Guarantee
-  **365 Days** Free Update
-  **800,000+** Satisfied Customers



## QUESTION 1

Which of the following indicates the path over which an LSP's tail end router will return an RSVP RESV message?

- A. The IGP FIB.
- B. The Reservation State Block (RSB)
- C. The Path State Block (PSB)
- D. The opaque database.

Correct Answer: C

---

## QUESTION 2

When configuring distributed services across a network, it is considered best practice to configure which of the following parameters as globally significant?

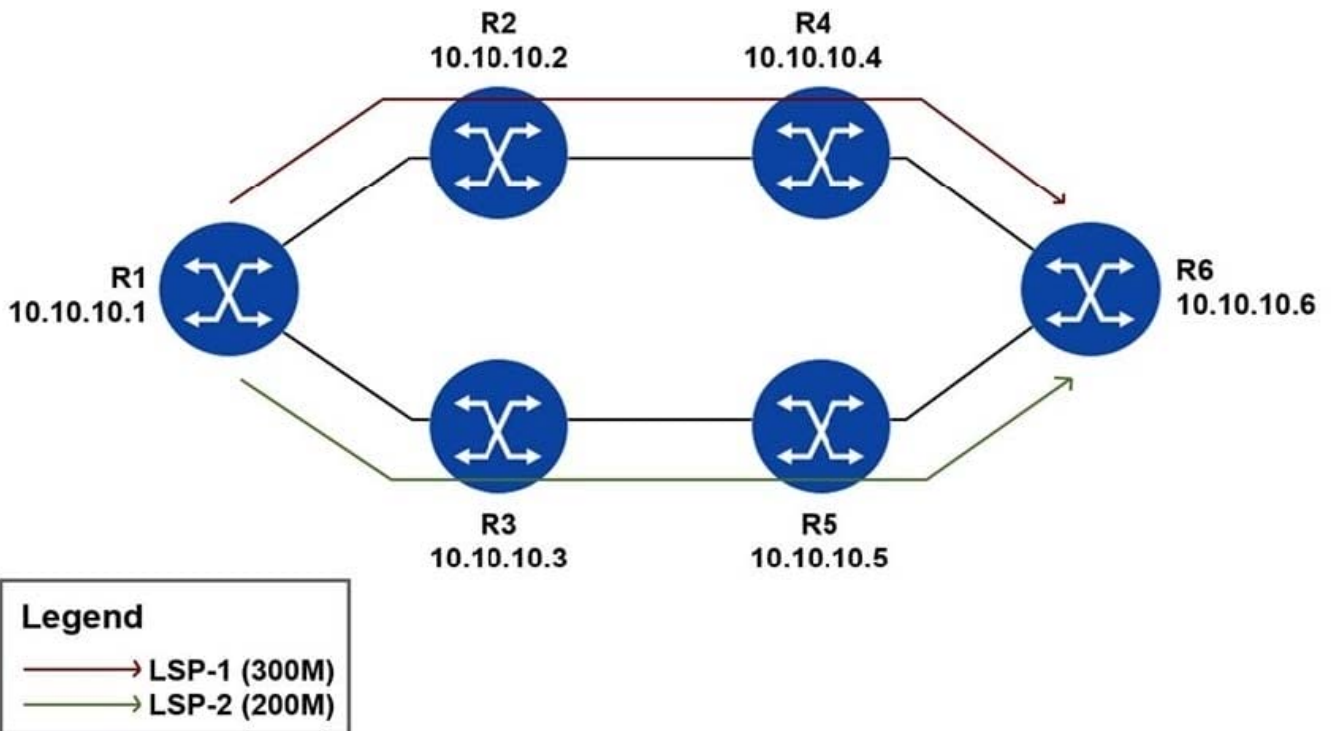
- A. Customer ID and SAP ID.
- B. Customer ID and Service ID.
- C. SAP ID and Service ID.
- D. SDP ID and Service ID.
- E. SDP ID and SAP ID.
- F. SDP ID and VC ID.

Correct Answer: B

---

## QUESTION 3

Initially, all links along the path R1-R2-R4-R6 have 400Mbps unreserved bandwidth and all links along the path R1-R3-R5-R6 have 600Mbps unreserved bandwidth. Shared Explicit reservation style is used and Make-Before-Break is enabled. Both fully loose LSPs have been signaled as shown. Later, the configured bandwidth for LSP-1 is changed to 500Mbps. Which of the following is TRUE?

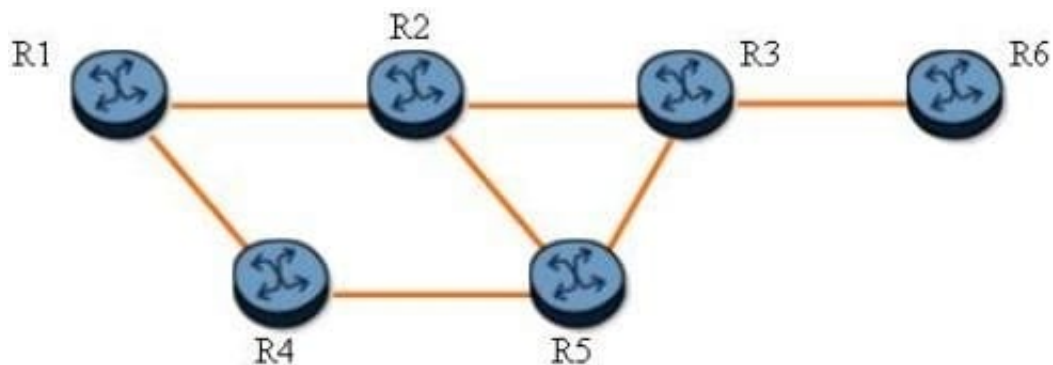


- A. After a new path for LSP-1 is established on R1-R3-R5-R6, the old path is torn down.
- B. After the old path for LSP-1 is torn down, the new path is established on R1-R3-R5-R6.
- C. LSP-1 will stay on R1-R2-R4-R6 because there is enough bandwidth on the existing path.
- D. LSP-1 will be torn down after CSPF fails to find a new path.

Correct Answer: C

**QUESTION 4**

Click on the exhibit.



Assume that the packet in the original LSP already has two labels.

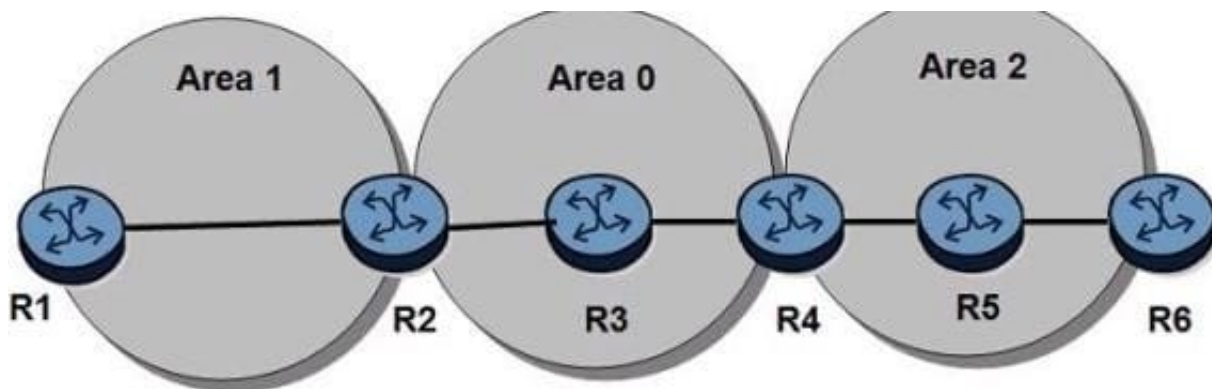
An LSP traverses the path R1-R2-R3-R6 and facility fast reroute is enabled. If the protected LSP carries one transport label and one service label, how many labels will be on the bypass tunnel if router R2 fails?

- A. 1
- B. 2
- C. 3
- D. 4

Correct Answer: C

#### QUESTION 5

Click on the exhibit.



An LDP-over-RSVP tunnel is established between routers R1 and R6. There is a VPN service running between routers R1 and R6. Which of the following is TRUE?

- A. Router R3 swaps both the RSVP-TE LSP label and LDP transport label received with new labels.
- B. Router R3 swaps the VPN service label received with a new label.
- C. Router R3 uses the same RSVP-TE LSP label as the one received from router R2.
- D. Router R3 uses the same LDP transport label as the one received from router R2.

Correct Answer: D

[4A0-C01 VCE Dumps](#)

[4A0-C01 Exam Questions](#)

[4A0-C01 Braindumps](#)