

## 4A0-106<sup>Q&As</sup>

Alcatel-Lucent Virtual Private Routed Networks

### Pass Alcatel-Lucent 4A0-106 Exam with 100% Guarantee

Free Download Real Questions & Answers **PDF** and **VCE** file from:

<https://www.lead4pass.com/4a0-106.html>

100% Passing Guarantee  
100% Money Back Assurance

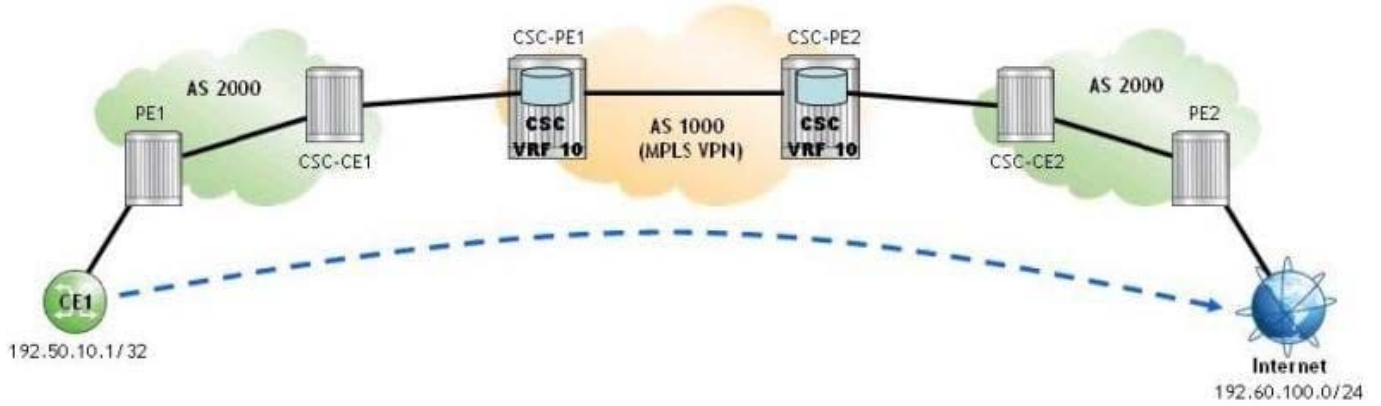
Following Questions and Answers are all new published by Alcatel-Lucent Official Exam Center

- ⚙️ **Instant Download** After Purchase
- ⚙️ **100% Money Back** Guarantee
- ⚙️ **365 Days** Free Update
- ⚙️ **800,000+** Satisfied Customers



**QUESTION 1**

Click the exhibit.



A Carrier Supporting Carrier (CSC) VPRN is configured for a customer carrier who is an Internet Service Provider (ISP). If CE1 sends an IP packet to 192.60.100.1, which of the following is FALSE?

- A. PE1 pushes an LDP transport label.
- B. CSC-CE1 pops the LDP label and pushes a BGP label.
- C. CSC-PE1 pops the BGP label and pushes two labels: a VPN label and an MPLS transport label.
- D. CSC-PE2 pops the MPLS label and pushes a BGP label.

Correct Answer: D

**QUESTION 2**

Which of the following devices would typically have VRF instances?

- A. Any CE device
- B. Any PE device
- C. Any P device
- D. Any router in the service provider core
- E. Any customer router

Correct Answer: B

**QUESTION 3**

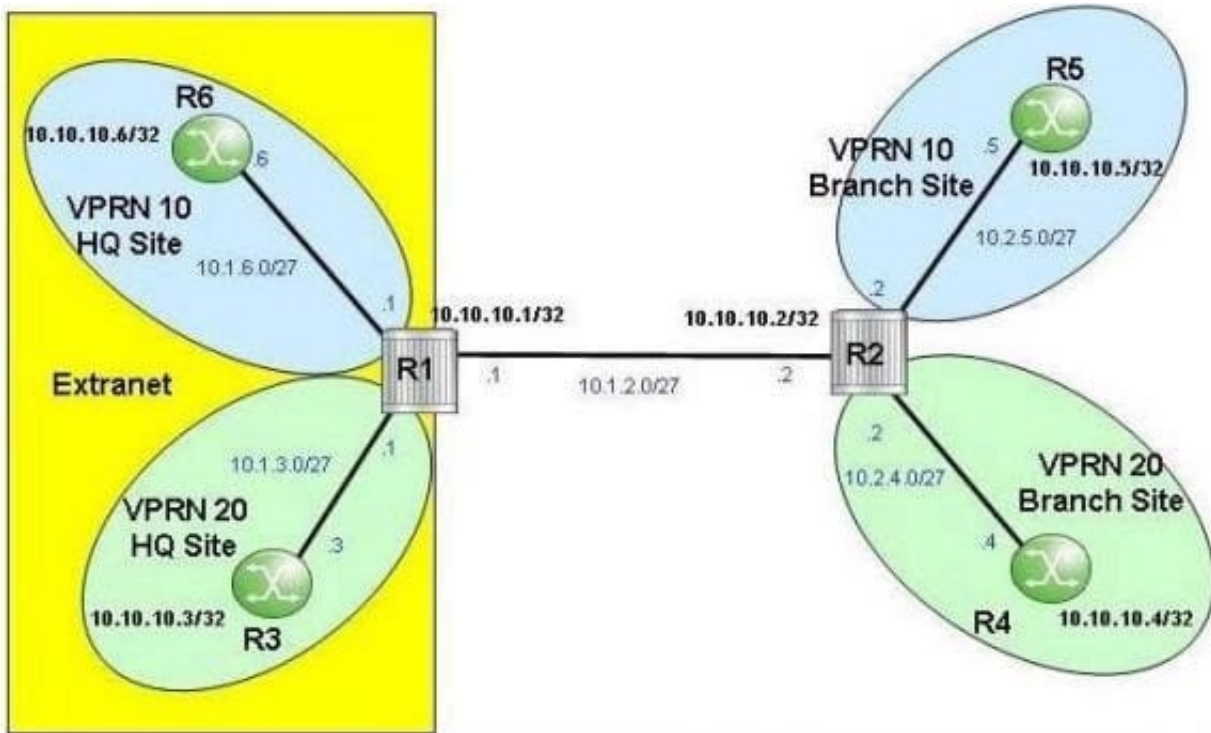
Which of the following statements are true regarding P devices in an MPLS VPRN? (Choose two.)

- A. Participate in service provider core routing
- B. P devices are not required to be MPLS enabled. MPLS is only required on the PE devices
- C. Run a common routing protocol with the CE router
- D. Must support MP-BGP
- E. Do not have any connections to the CE
- F. Must be aware of the VPRNs

Correct Answer: AE

**QUESTION 4**

Click the exhibit.



```
community "Blue-Only" members "target:65100:1"
community "Green-Only" members "target:65100:2"
community "Blue-Green" members "target:65100:3"
community "Extranet-VPN-Blue" members "target:65100:1" "target:65100:3"
community "Extranet-VPN-Green" members "target:65100:2" "target:65100:3"
```

The headquarter sites of VPRN 10 and VPRN 20 are part of an extranet VPRN. Which route targets should be exported under the VPRN 20 service on router R1?

- A. Target:65100:2 and target:65100:3
- B. Target:65100:1 and target:65100:2

C. Target:65100:1 and target:65100:3

D. Target:65100:1, target:65100:2 and target:65100:3

Correct Answer: A

---

## QUESTION 5

Which of the following about inter-AS model B VPRN is TRUE?

A. The ASBRs use MP-eBGP to peer with each other and exchange IPv4 routes between autonomous systems.

B. The ASBRs use MP-iBGP to peer with PE routers in their autonomous system and exchange VPN-IPv4 routes.

C. The ASBRs maintain a mapping of labels for IPv4 routes exchanged between autonomous systems.

D. The ASBRs require per-VPRN configuration.

Correct Answer: B

[Latest 4A0-106 Dumps](#)

[4A0-106 PDF Dumps](#)

[4A0-106 Exam Questions](#)