

350-401^{Q&As}

Implementing and Operating Cisco Enterprise Network Core Technologies (ENCOR) & CCIE Enterprise Infrastructure & CCIE Enterprise Wireless

Pass Cisco 350-401 Exam with 100% Guarantee

Free Download Real Questions & Answers **PDF** and **VCE** file from:

<https://www.leads4pass.com/350-401.html>

100% Passing Guarantee
100% Money Back Assurance

Following Questions and Answers are all new published by Cisco Official Exam Center

- ⚙️ **Instant Download** After Purchase
- ⚙️ **100% Money Back** Guarantee
- ⚙️ **365 Days** Free Update
- ⚙️ **800,000+** Satisfied Customers



QUESTION 1

SIMULATION

Guidelines

This is a lab item in which tasks will be performed on virtual devices.

1.

Refer to the Tasks tab to view the tasks for this lab item.

2.

Refer to the Topology tab to access the device console(s) and perform the tasks.

3.

Console access is available for all required devices by clicking the device icon or using the tab(s) above the console window.

4.

All necessary preconfigurations have been applied.

5.

Do not change the enable password or hostname for any device.

6.

Save your configurations to NVRAM before moving to the next item.

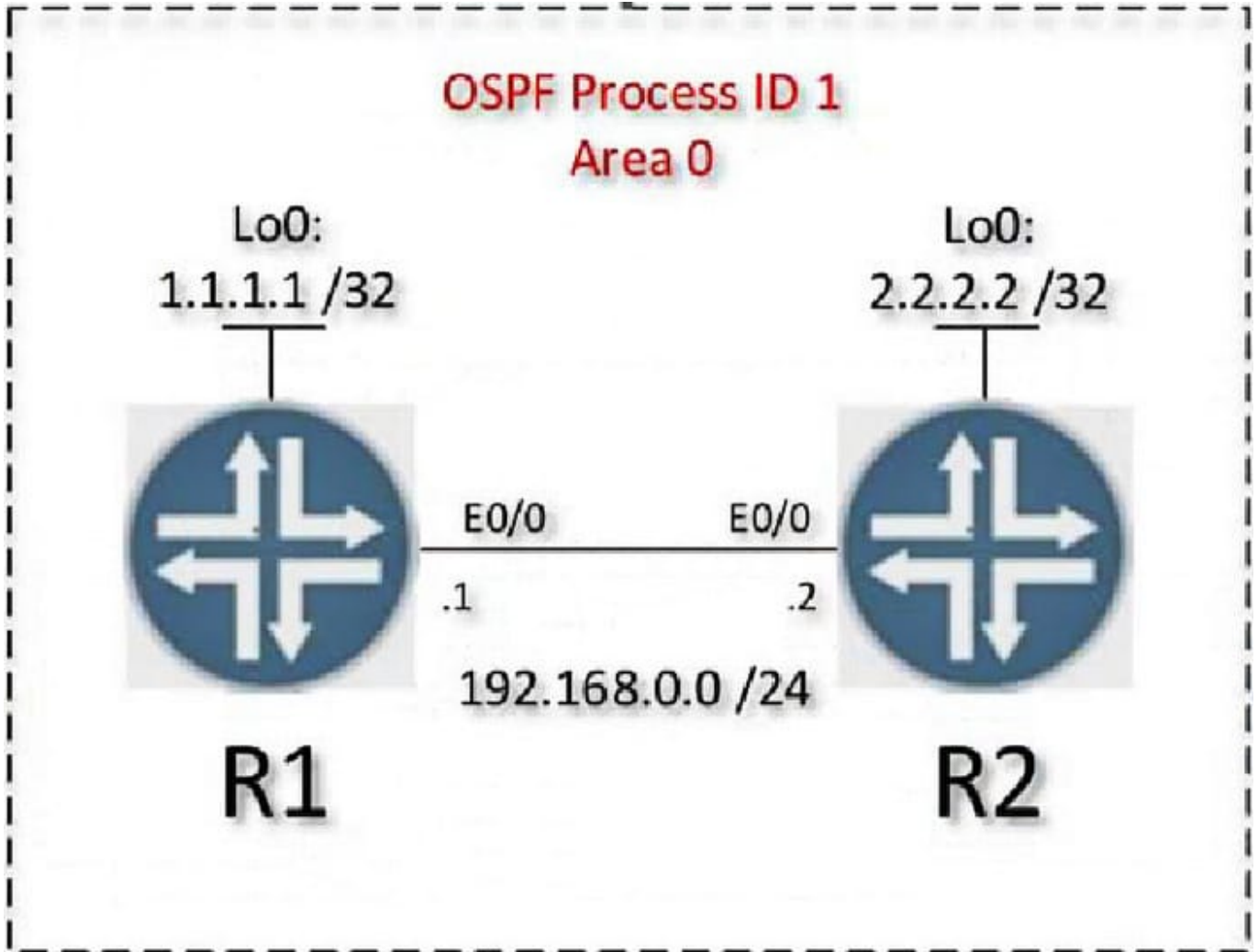
7.

Click Next at the bottom of the screen to submit this lab and move to the next question.

8.

When Next is clicked, the lab closes and cannot be reopened.

Topology Tasks



Configure OSPF on both routers according to the topology to achieve these goals:

1.

Ensure that all networks are advertised between the routers without using the “network” statement under the “router ospf” configuration section.
2.

Configure a single command on both routers to ensure: The DR/BDR election does not occur on the link between the OSPF neighbors. No extra OSPF host routes are generated.

 - A. See the solution below in Explanation.
 - B. Place Holder
 - C. Place Holder
 - D. Place Holder

Correct Answer: A

Solution: R1 Router ospf 1 Int loop0 Ip ospf 1 area 0 Int et0/0 Ip ospf 1 area 0 Ip ospf network point-to-point Copy run

start

R2 Router ospf 1 Int loop0 Ip ospf 1 area 0 Int et0/0 Ip ospf 1 area 0 Ip ospf network point-to-point

Copy run start

Verification:

```
R2#sh ip os
R2#sh ip ospf nei
R2#sh ip ospf neighbor
```

Neighbor ID	Pri	State	Dead Time	Address
Interface				
1.1.1.1	0	FULL/ -	00:00:34	192.168.0
.1		Ethernet0/0		

```
R2#
```

```
R1#sh ip ospf neighbor
```

Neighbor ID	Pri	State	Dead Time	Address
Interface				
2.2.2.2	0	FULL/ -	00:00:32	192.168
.2		Ethernet0/0		

```
R1#sh ip ospf route
```

OSPF Router with ID (1.1.1.1) (Process ID 1)

Base Topology (MTID 0)

Area BACKBONE(0)

Intra-area Route List

- * 192.168.0.0/24, Intra, cost 10, area 0, Connected
via 192.168.0.1, Ethernet0/0
- * 1.1.1.1/32, Intra, cost 1, area 0, Connected
via 1.1.1.1, Loopback0
- *> 2.2.2.2/32, Intra, cost 11, area 0
via 192.168.0.2, Ethernet0/0

First Hop Forwarding Gateway Tree

```
192.168.0.1 on Ethernet0/0, count 1
192.168.0.2 on Ethernet0/0, count 1
1.1.1.1 on Loopback0, count 1
```

```
R1#
```

QUESTION 2

Refer to the exhibit.

```
line vty 0 4
  session-timeout 30
  exec-timeout 120 0
  session-limit 30
  login local
line vty 5 15
  session-timeout 30
  exec-timeout 30 0
  session-limit 30
  login local
```

Only administrators from the subnet 10.10.10.0/24 are permitted to have access to the router. A secure protocol must be used for the remote access and management of the router instead of clear-text protocols. Which configuration achieves this goal?

A.

```
access-list 23 permit 10.10.10.0 0.0.0.255
line vty 0 15
access-class 23 in
transport input ssh
```

B.

```
access-list 23 permit 10.10.10.0 0.0.0.255
line vty 0 15
access-class 23 out
transport input all
```

C.

```
access-list 23 permit 10.10.10.0 0.0.0.255
line vty 0 4
access-class 23 in
transport input ssh
```

D.

```
access-list 23 permit 10.10.10.0 255.255.255.0
line vty 0 15
access-class 23 in
transport input ssh
```

A. Option A

B. Option B

C. Option C

D. Option D

Correct Answer: A

QUESTION 3

Which two methods are used to reduce the AP coverage area? (Choose two.)

A. Increase minimum mandatory data rate

B. Reduce AP transmit power

C. Disable 2.4 GHz and use only 5 GHz.

D. Enable Fastlane.

E. Reduce channel width from 40 MHz to 20 MHz

Correct Answer: AB

Reducing the channel width does not affect directly the coverage area. Settings the transmit power and increases the minimum data rate do.

QUESTION 4

A vulnerability assessment highlighted that remote access to the switches is permitted using unsecure and unencrypted protocols Which configuration must be applied to allow only secure and reliable remote access for device administration?

- A. line vty 0 15 login local transport input none
- B. line vty 0 15 login local transport input telnet ssh
- C. line vty 0 15 login local transport input ssh
- D. line vty 0 15 login local transport input all

Correct Answer: C

QUESTION 5

Which configuration feature should be used to block rogue router advertisements instead of using the IPv6 Router Advertisement Guard feature?

- A. VACL blocking broadcast frames from nonauthorized hosts
- B. IPv4 ACL blocking route advertisements from nonauthorized hosts
- C. PVLANS with promiscuous ports associated to route advertisements and isolated ports for nodes
- D. PVLANS with community ports associated to route advertisements and isolated ports for nodes

Correct Answer: C

[Latest 350-401 Dumps](#)

[350-401 PDF Dumps](#)

[350-401 Braindumps](#)