

300-630^{Q&As}

Implementing Cisco Application Centric Infrastructure - Advanced
(DCACIA)

Pass Cisco 300-630 Exam with 100% Guarantee

Free Download Real Questions & Answers **PDF** and **VCE** file from:

<https://www.leads4pass.com/300-630.html>

100% Passing Guarantee
100% Money Back Assurance

Following Questions and Answers are all new published by Cisco
Official Exam Center

- ⚙️ **Instant Download** After Purchase
- ⚙️ **100% Money Back** Guarantee
- ⚙️ **365 Days** Free Update
- ⚙️ **800,000+** Satisfied Customers



QUESTION 1

An engineer implements the Cisco ACI solution and needs to confirm that the leaf switch correctly learns the remote endpoint MAC. Which information must be included in the VXLAN packet that is received from the Cisco ACI spine for the Cisco ACI leaf to learn MAC as a remote endpoint?

- A. VRF
- B. application profile
- C. bridge domain
- D. EPG

Correct Answer: C

Reference: <https://www.cisco.com/c/en/us/solutions/collateral/data-center-virtualization/application-centric-infrastructure/white-paper-c11-739989.html>

QUESTION 2

Filter - SSH

Policy Faults History

Properties

Name: SSH

Alias:

Description: optional

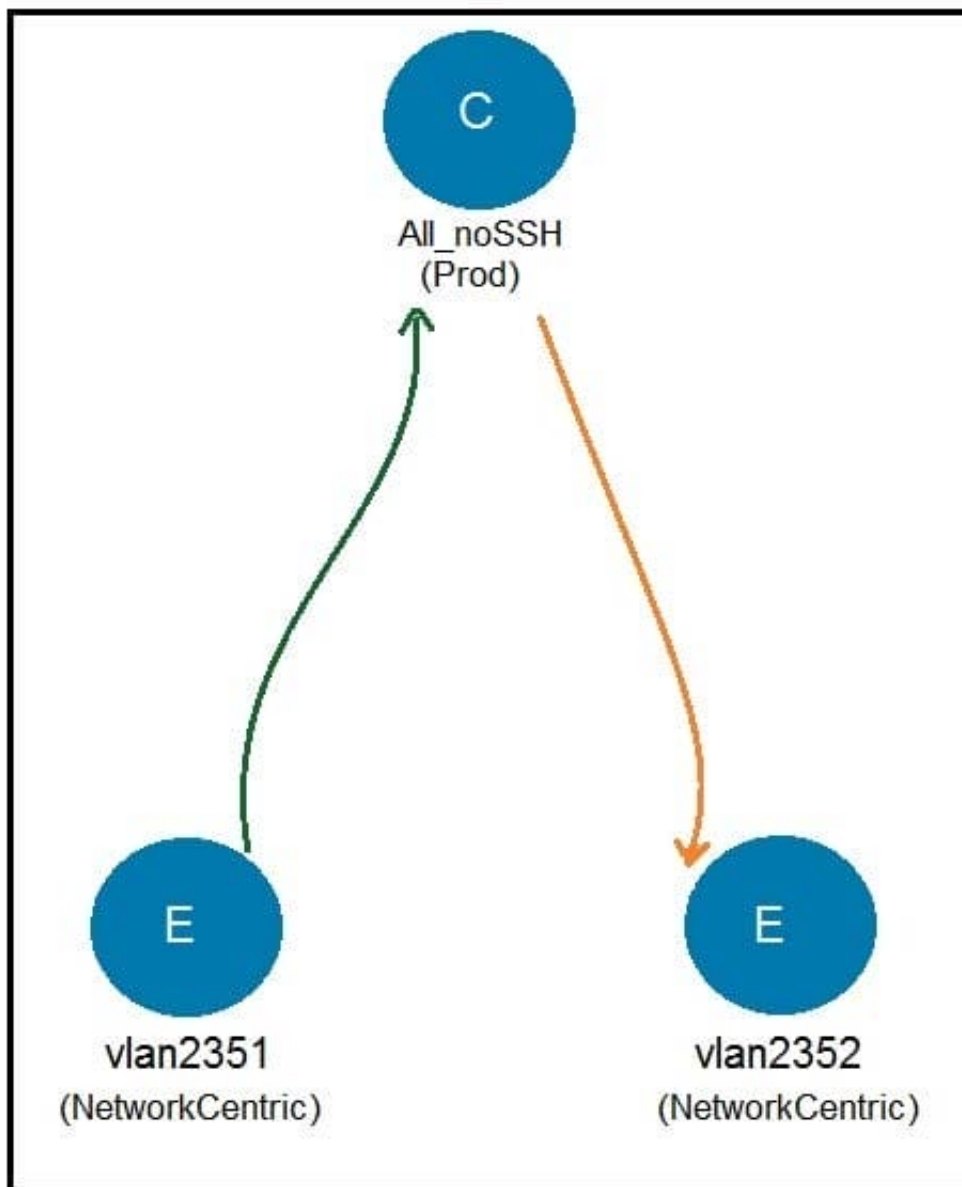
Tags:
enter tags separated by comma

Global Alias:

Entries:

Name	Alias	EtherType	ARP Flag	IP Protocol	Match Only	Stateful	Source Port/Range	Destination Port/Range		
					Only		From	To		
					Frage			From	To	
ssh		IP		tcp	False	False	unspecified	unspecified	22	22

Refer to the exhibits. Which subject must be configured for the All_noSSH contract to allow all IP traffic except SSH between the two EPGs?



Ⓐ

Apply Both Directions: false
Reverse Filter Ports:

Filters:

Name	Action	Priority
common/ip	permit	default level
Prod/SSH	Deny	highest priority

Ⓑ

Apply Both Directions: false
Reverse Filter Ports:

Filters:

Name	Action	Priority
common/ip	permit	default level
Prod/SSH	Deny	lowest priority

Ⓒ

Apply Both Directions: true
Reverse Filter Ports:

Filters:

Name	Tenant	Action	Priority
SSH	Prod	Deny	highest priority
ip	common	permit	default level

Ⓓ

Apply Both Directions: true
Reverse Filter Ports:

Filters:

Name	Tenant	Action	Priority
SSH	Prod	Deny	lowest priority
ip	common	permit	default level

- A. Option A
- B. Option B
- C. Option C
- D. Option D

Correct Answer: D

Reference: https://www.cisco.com/c/en/us/td/docs/switches/datacenter/aci/apic/sw/1-x/ACI_Best_Practices/b_ACI_Best_Practices/b_ACI_Best_Practices_chapter_010.html

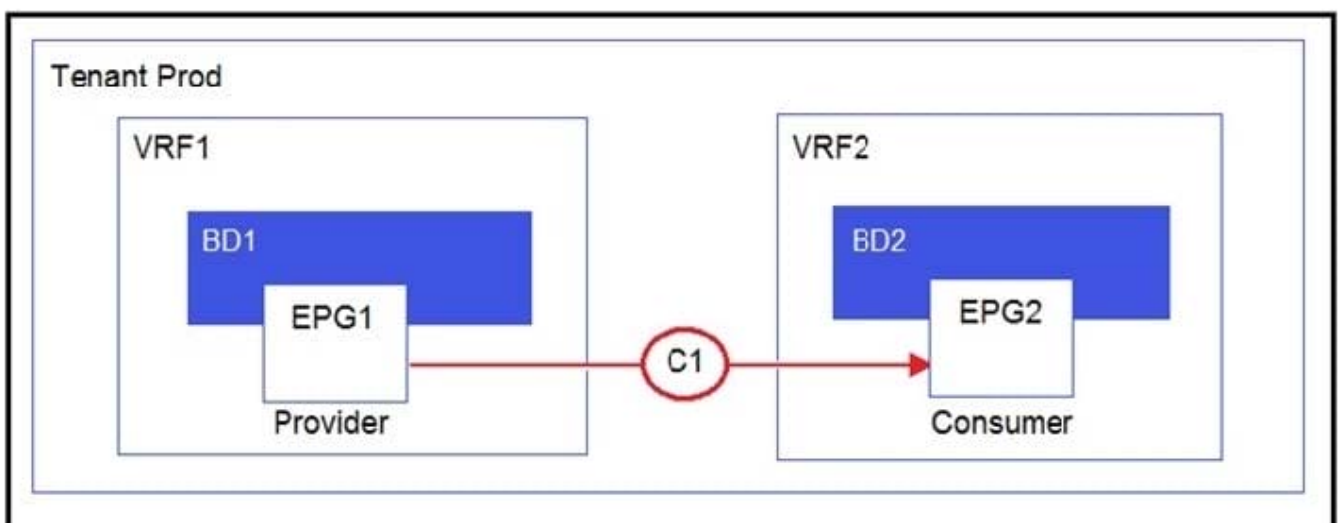
QUESTION 3

What two actions should be taken to deploy a new Cisco ACI Multi-Pod setup? (Choose two.)

- A. Configure anycast RP for the underlying multicast protocol
- B. Configure the TEP pool of the new pod to be routable across the IPN
- C. Configure MP-BGP on IPN routers that face the Cisco ACI spines
- D. Increase interface MTU for all IPN routers to support VXLAN traffic
- E. Connect all spines to the IPN

Correct Answer: DE

QUESTION 4



Refer to the exhibit. Which two configurations enable inter-VRF communication? (Choose two.)

- A. Set the subnet scope to Shared Between VRFs
- B. Enable Advertise Externally under the subnet scope
- C. Change the contract scope to Tenant
- D. Change the subject scope to VRF
- E. Export the contract and import as a contract interface

Correct Answer: BE

QUESTION 5

An engineer designs a Cisco ACI Multi-Pod solution that requires a pair of active-standby firewalls in different pods for external connectivity. How should the firewalls be implemented?

- A. PBR for routed firewalls
- B. separate L3Out peerings for routed firewalls
- C. routed firewall for the default gateway
- D. transparent firewalls

Correct Answer: D

Reference: <https://www.cisco.com/c/en/us/solutions/collateral/data-center-virtualization/application-centric-infrastructure/white-paper-c11-739571.html>

[300-630 PDF Dumps](#)

[300-630 VCE Dumps](#)

[300-630 Study Guide](#)