

## 300-630<sup>Q&As</sup>

Implementing Cisco Application Centric Infrastructure - Advanced  
(DCACIA)

**Pass Cisco 300-630 Exam with 100% Guarantee**

Free Download Real Questions & Answers **PDF** and **VCE** file from:

<https://www.leads4pass.com/300-630.html>

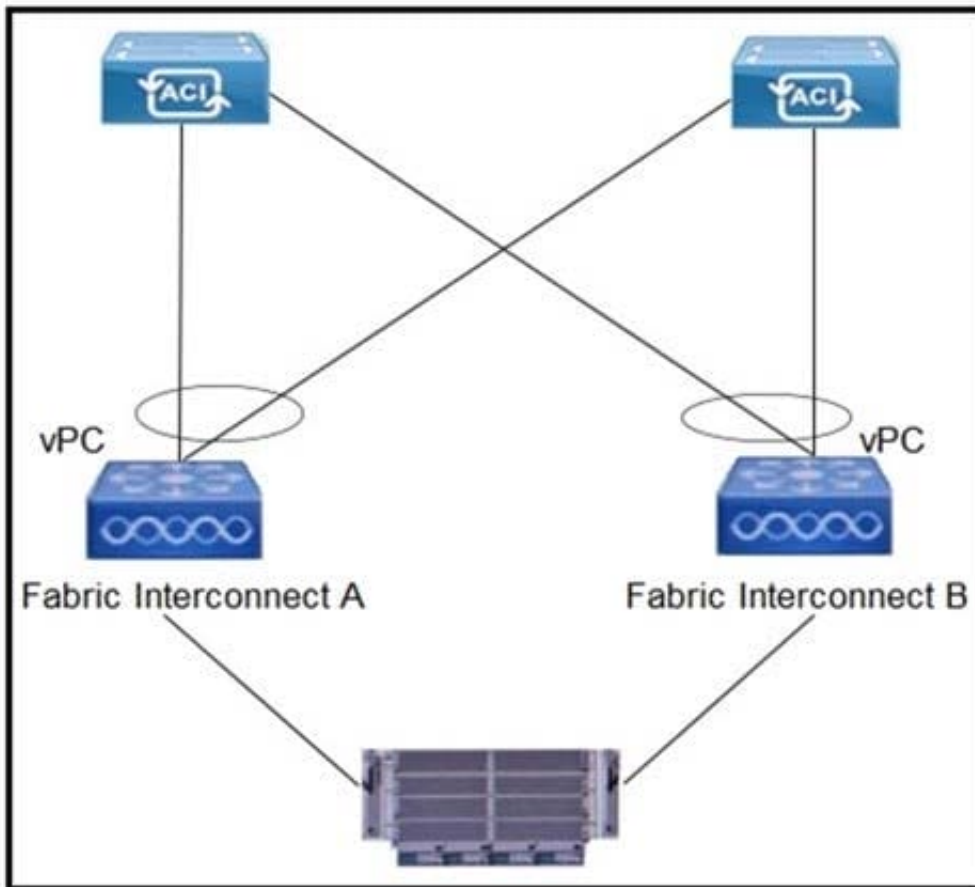
100% Passing Guarantee  
100% Money Back Assurance

Following Questions and Answers are all new published by Cisco  
Official Exam Center

- ⚙️ **Instant Download** After Purchase
- ⚙️ **100% Money Back** Guarantee
- ⚙️ **365 Days** Free Update
- ⚙️ **800,000+** Satisfied Customers



QUESTION 1



Refer to the exhibit. Which configuration mode must be selected for the VMM vSwitch Port Channel policy to avoid MAC flapping on the Cisco UCS FIs and Cisco ACI leaf switches?

- A. LACP Passive
- B. MAC Pinning
- C. LACP Active
- D. Static Channel ?Mode On

Correct Answer: B

QUESTION 2

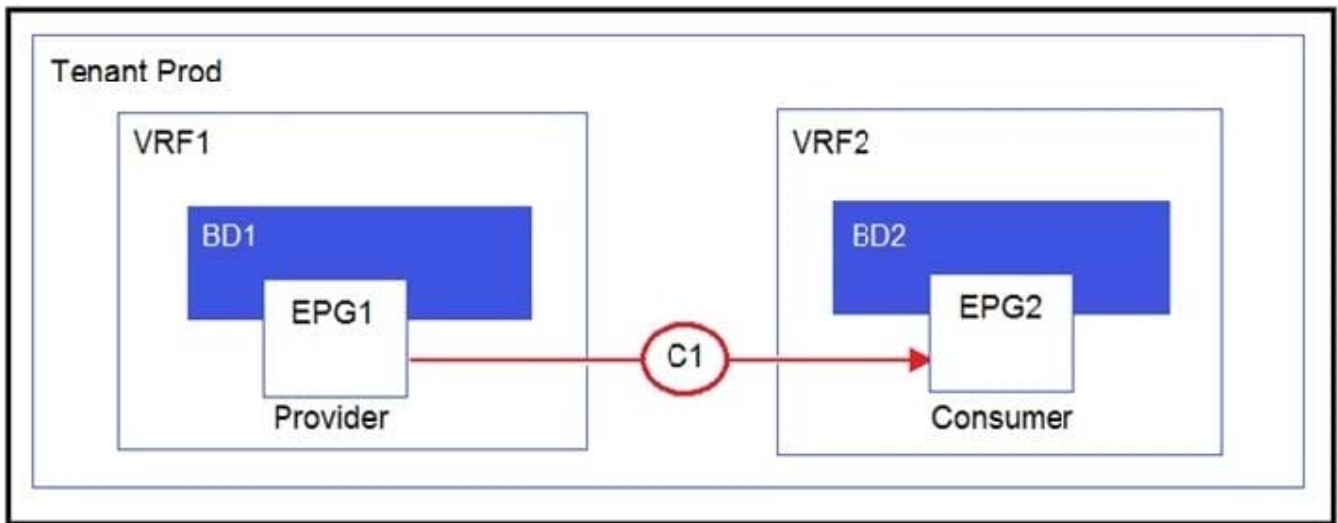
An engineer configures a new Cisco ACI Multi-Pod and must set up the link between the spine and the IPN device. Which three actions should be taken to accomplish this goal? (Choose three.)

- A. Enable MP-BGP routing
- B. Enable BIDIR-PIM protocol

- C. Enable PIM-SM protocol
- D. Enable OSPF routing
- E. Enable IS-IS routing
- F. Enable DHCP relay

Correct Answer: ABF

**QUESTION 3**



Refer to the exhibit. Which two configurations enable inter-VRF communication? (Choose two.)

- A. Set the subnet scope to Shared Between VRFs
- B. Enable Advertise Externally under the subnet scope
- C. Change the contract scope to Tenant
- D. Change the subject scope to VRF
- E. Export the contract and import as a contract interface

Correct Answer: BE

**QUESTION 4**

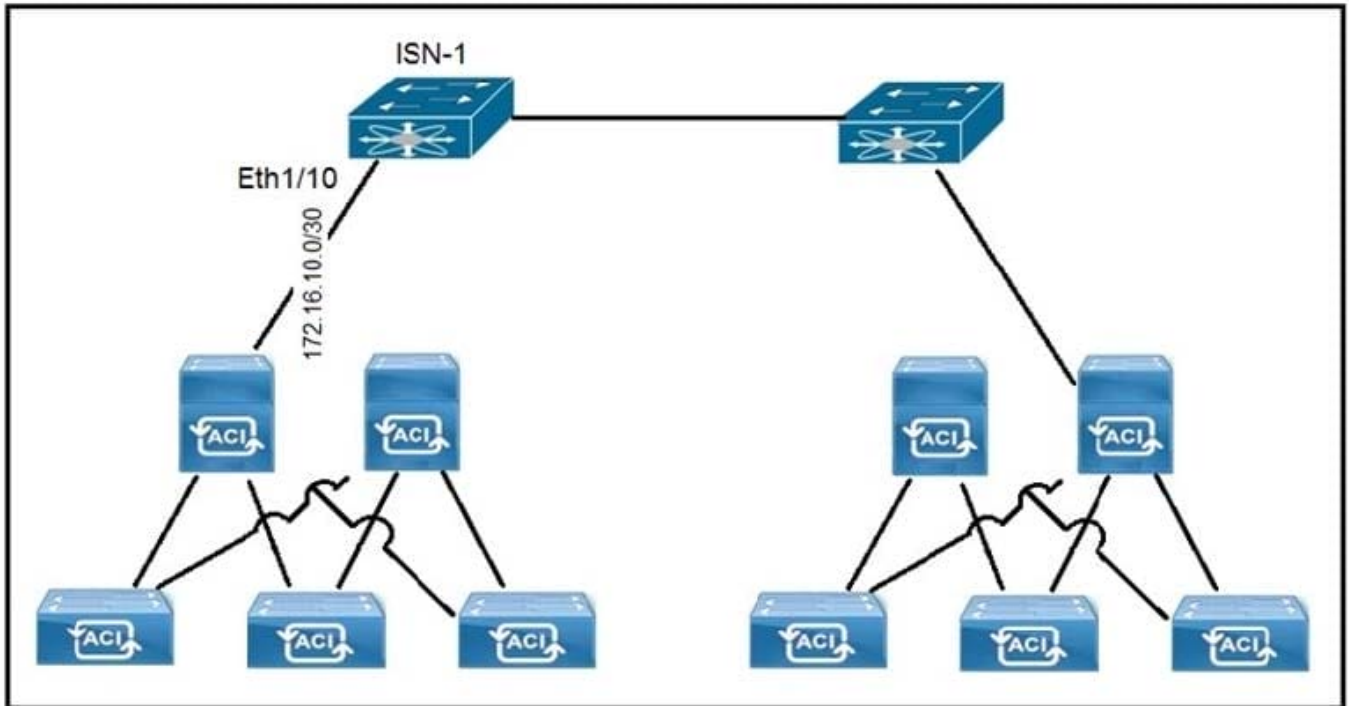
An engineer creates the objects that must be deployed at each site in Cisco ACI Multi-Site Orchestrator. Which action should be taken before the schema can be associated with the newly configured site?

- A. Attach the templates to the newly configured site
- B. Configure a provider for the Cisco ACI Multi-Site Orchestrator

- C. Import existing policies from an existing tenant to Cisco ACI Multi-Site Orchestrator
- D. Configure the Infra Site-Specific Settings

Correct Answer: A

**QUESTION 5**



Refer to the exhibit. A customer implements Cisco ACI Multi-Site with default MTU settings between two sites. Which configuration should be applied on the interface Eth1/10 on the ISN-1 device?

- A. interface Ethernet1/10.4  
mtu 9150  
encapsulation dot1q 100  
vrf member intersite  
ip address 172.16.10.1/30  
ip ospf network point-to-point  
ip router ospf intersite area 0.0.0.1  
no shutdown
- B. interface Ethernet1/10.4  
mtu 9150  
encapsulation dot1q 4  
vrf member intersite  
ip address 172.16.10.1/30  
ip ospf network point-to-point  
ip router ospf intersite area 0.0.0.1  
no shutdown
- C. interface Ethernet1/10.44  
mtu 2240  
encapsulation dot1q 4  
vrf member intersite  
ip address 172.16.10.1/30  
ip router ospf intersite area 0.0.0.1  
no shutdown
- D. interface Ethernet1/10.4  
mtu 2240  
encapsulation dot1q 40  
vrf member intersite  
ip address 172.16.10.1/30  
ip ospf network point-to-point  
ip router ospf 1 area 0.0.0.1  
no shutdown

A. Option A

B. Option B

C. Option C

D. Option D

Correct Answer: A

[300-630 Study Guide](#)

[300-630 Exam Questions](#)

[300-630 Braindumps](#)