

## 300-615<sup>Q&As</sup>

Troubleshooting Cisco Data Center Infrastructure (DCIT)

### Pass Cisco 300-615 Exam with 100% Guarantee

Free Download Real Questions & Answers **PDF** and **VCE** file from:

<https://www.leads4pass.com/300-615.html>

100% Passing Guarantee  
100% Money Back Assurance

Following Questions and Answers are all new published by Cisco  
Official Exam Center

-  **Instant Download** After Purchase
-  **100% Money Back** Guarantee
-  **365 Days** Free Update
-  **800,000+** Satisfied Customers



## QUESTION 1

Refer to the exhibit.

```
switch1# show vpc brief
Legend:
(*) - local vPC is down, forwarding via vPC peer-link

vPC domain id : 500
Peer status : peer link is down
vPC keep-alive status : Suspended (Destination IP not reachable)
Configuration consistency status : success
vPC role : secondary, operational primary
Number of vPCs configured : 4
Peer Gateway : Disabled
Dual-active exluded VLANs : -

vPC Peer-link status
-----
id  Port  Status  Active  vlans
-----
1  Po500  down -

switch2# show vpc brief
Legend:
(*) - local vPC is down, forwarding via vPC peer-link

vPC domain id : 20
Peer status : peer link is down
vPC keep-alive status : Suspended (Destination IP not reachable)
Configuration consistency status : success
vPC role : secondary, operational primary
Number of vPCs configured : 4
Peer Gateway : Disabled
Dual-active exluded VLANs : -

vPC Peer-link status
-----
id  Port  Status  Active  vlans
-----
1  Po500  down -
```

vPC between switch1 and switch2 is not working. Which two actions are needed to fix the problem? (Choose two.)

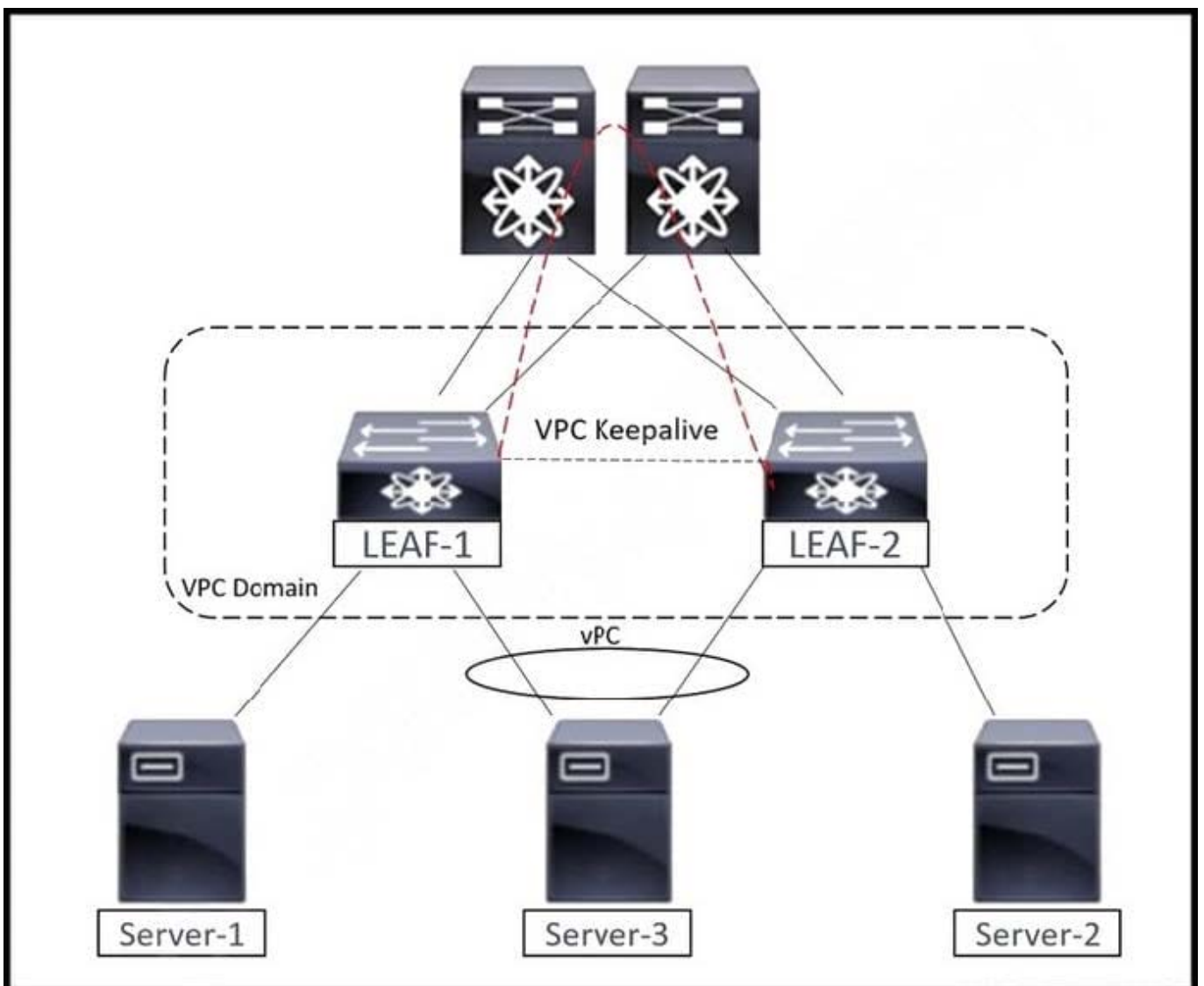
A. Match vPC domain ID between the two devices.

- B. Configure IP address on the interface.
- C. Activate VLANs on the vPC.
- D. Configure vPC peer link and vPC peer keepalive correctly.
- E. Configure one of the switches as primary for the vPC.

Correct Answer: AD

**QUESTION 2**

Refer to the exhibit.



An engineer is troubleshooting the connectivity between Server-1 and Server-2. Which action resolves the connectivity issue?

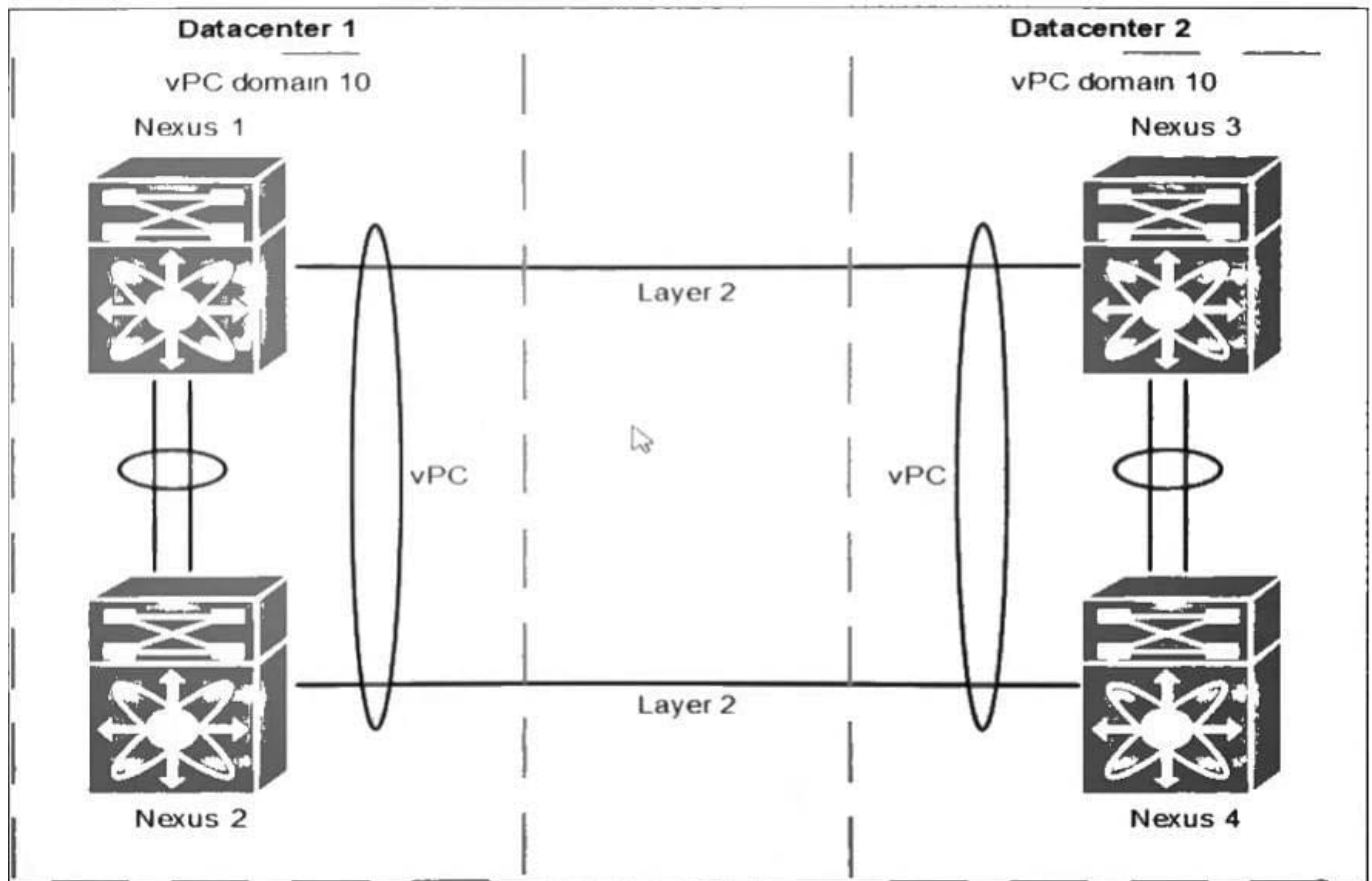
- A. Enable BGP advertise pip feature on both leaf switches
- B. Configure the same source IP address on NVE and virtual peer link on leaf switches
- C. Classify CFS messages for strict priority queue on spine switches
- D. Change all ports on spine switches as port-type fabric

Correct Answer: A

Reference: [https://www.cisco.com/c/en/us/td/docs/dcn/nx-os/nexus9000/101x/configuration/vxlan/cisco-nexus-9000-series-nx-os-vxlan-configuration-guide-release-101x/m\\_configuring\\_vpc\\_multihoming.pdf](https://www.cisco.com/c/en/us/td/docs/dcn/nx-os/nexus9000/101x/configuration/vxlan/cisco-nexus-9000-series-nx-os-vxlan-configuration-guide-release-101x/m_configuring_vpc_multihoming.pdf)

**QUESTION 3**

Refer to the exhibit.



The administrator set up two pairs of Cisco Nexus switches. The administrator set different vPC priorities on all four Nexus switches. As soon as the administrator activates the vPC between the two pairs the network faces different issues. The problems range from both Nexus pairs declare themselves as root bridge, as well as spanning-tree inconsistencies and traffic forwarding issues. Which action resolves these issues?

- A. Change the role priority on one pair.
- B. Configure peer-config-check-bypass on both pairs.

C. Configure a vPC peer link between both peers.

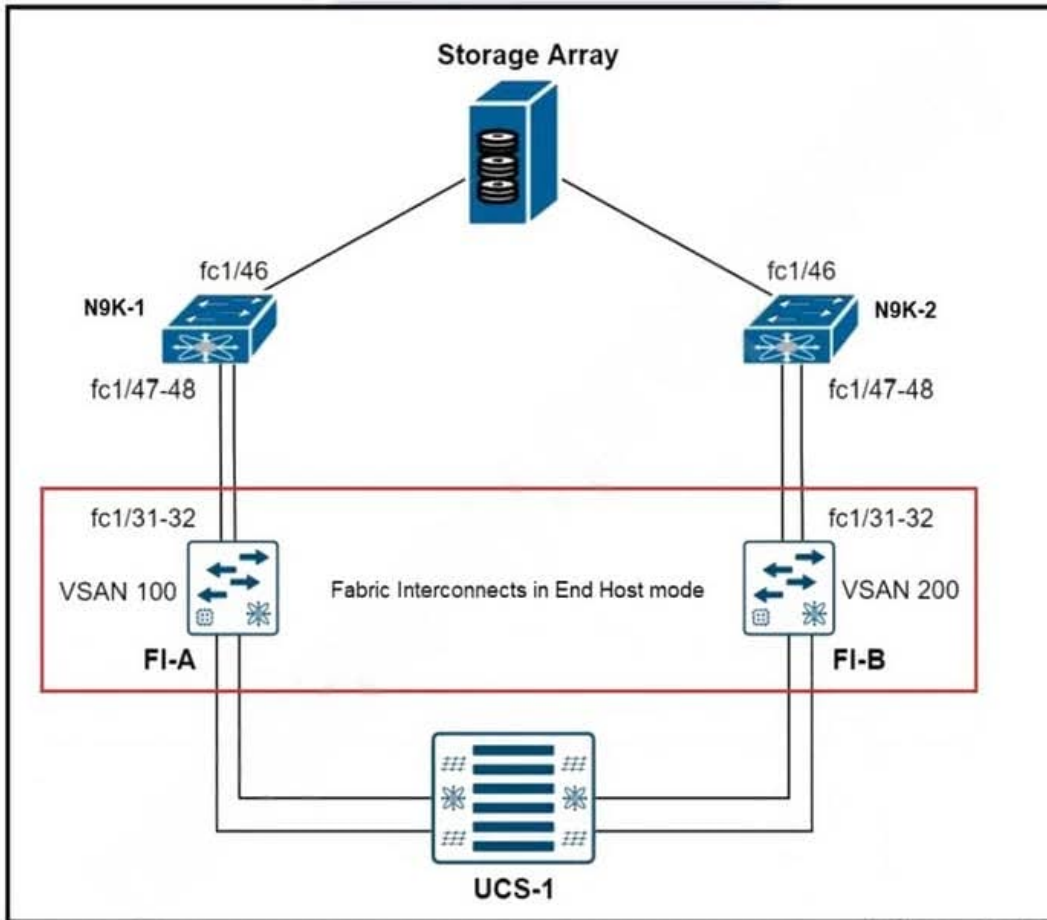
D. Change domain ID on one pair to a different ID.

Correct Answer: D

---

#### QUESTION 4

Refer to the exhibit.



```

N9K-1#
!
feature fcoe
slot 1
  port 44-48 type fc
!
vsan database
  vsan 100
  vsan 100 interface fc1/46-48
!
interface fc1/46-48
  no shutdown
!
    
```

```

N9K-1# show flogi database interface fc1/47-48
    
```

INTERFACE	VSAN	FCID	PORT NAME	NODE NAME

UCS-1 fails to connect to the storage array. Which action resolves the issue?

- A. Set the FI-A mode to FC End Host mode.
- B. Enable N9K-1 mode to N-Port ID Virtualization.
- C. Configure N-Port ID Virtualization on FI-A.
- D. Implement N-Port Mirtualization on N9K-1.

Correct Answer: B

---

#### QUESTION 5

Refer to the exhibit.

```
switch# show user-account
user:admin
      this user account has no expiry date
      roles:network-admin
user:bashusers
      this user account has no expiry date
      roles:network-operator
```

A network administrator must provide Bash shell access to the support team for all of the Cisco Nexus 9000 Series Switches. The newly created user that is named "bashusers" fails to access the Bash shell. Which action resolves the issue?

- A. Associate bashusers with the Cisco NX-OS network-operator role and activate the bash-shell feature.
- B. Associate bashusers with the Cisco NX-OS vdc-admin role and activate the nxapi feature.
- C. Associate bashusers with the Cisco NX-OS network-admin role and activate the guestshell feature.
- D. Associate bashusers with the Cisco NX-OS dev-ops role and activate the bash-shell feature.

Correct Answer: D

[300-615 PDF Dumps](#)

[300-615 Exam Questions](#)

[300-615 Braindumps](#)