

## 300-615<sup>Q&As</sup>

Troubleshooting Cisco Data Center Infrastructure (DCIT)

### Pass Cisco 300-615 Exam with 100% Guarantee

Free Download Real Questions & Answers **PDF** and **VCE** file from:

<https://www.leads4pass.com/300-615.html>

100% Passing Guarantee  
100% Money Back Assurance

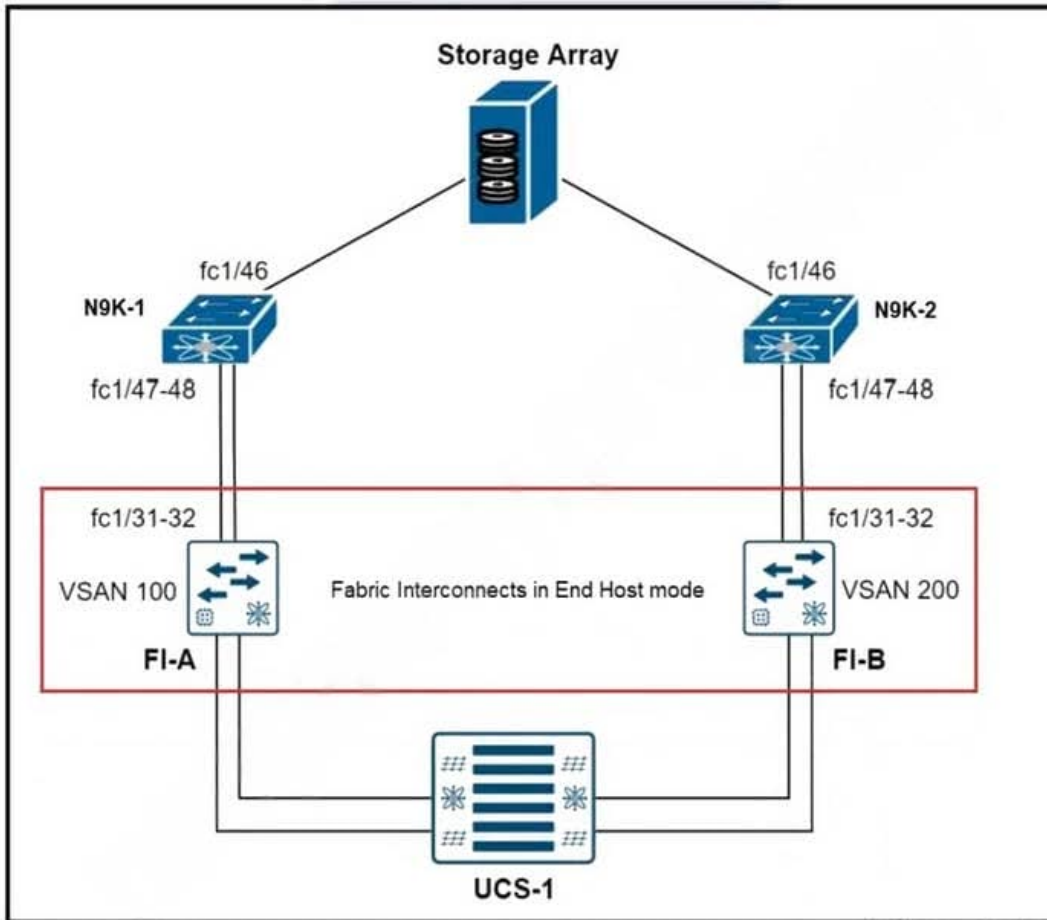
Following Questions and Answers are all new published by Cisco  
Official Exam Center

-  **Instant Download** After Purchase
-  **100% Money Back** Guarantee
-  **365 Days** Free Update
-  **800,000+** Satisfied Customers



## QUESTION 1

Refer to the exhibit.



```

N9K-1#
!
feature fcoe
slot 1
  port 44-48 type fc
!
vsan database
  vsan 100
  vsan 100 interface fc1/46-48
!
interface fc1/46-48
  no shutdown
!
    
```

```

N9K-1# show flogi database interface fc1/47-48
    
```

INTERFACE	VSAN	FCID	PORT NAME	NODE NAME

UCS-1 fails to connect to the storage array. Which action resolves the issue?

- A. Set the FI-A mode to FC End Host mode.
- B. Enable N9K-1 mode to N-Port ID Virtualization.
- C. Configure N-Port ID Virtualization on FI-A.
- D. Implement N-Port Mirtualization on N9K-1.

Correct Answer: B

---

### QUESTION 2

A server administrator attempts to change the Cisco IMC KVM certificate to one signed by a private CA, but the certificate is not being accepted. What can cause this process to fail?

- A. using a certificate with a password-protected private key
- B. RSA encryption being used in the generation of the certificate.
- C. AES encryption being used in the generation of the certificate.
- D. public IP adres of the Cisco IMC not being included in the SAN.

Correct Answer: A

---

### QUESTION 3

An upgrade of protected RPMs from the Bash shell does not take effect. Which action resolves this issue?

- A. Restart the Bash shell.
- B. Reload the switch.
- C. Upgrade the RPMs from the Guest shell.
- D. Disable and re enable the Bash feature.

Correct Answer: D

---

### QUESTION 4

Refer to the exhibit.

```
switch-1# show fspf vsan 200 interface port-channel 200
FSPF interface port-channel 200 in VSAN 200
FSPF routing administrative state is active
Interface cost is 125
Timer intervals configured, Hello 40 s, Dead 80 s, Retransmit 5 s
FSPF State is INIT
Statistics counters :
Number of packets received : LSU 3 LSA 3 Hello 136 Error packets 3
Number of packets transmitted : LSU 3 LSA 3 Hello 182 Retransmitted LSU 0
Number of times inactivity timer expired for the interface = 0

switch-2# show fspf vsan 200 interface san-port-channel 200
FSPF interface san-port-channel 200 in VSAN 200
FSPF routing administrative state is active
Interface cost is 125
Timer intervals configured, Hello 20 s, Dead 80 s, Retransmit 5 s
FSPF State is INIT
Statistics counters :
Number of packets received : LSU 3 LSA 3 Hello 185 Error packets 169
Number of packets transmitted : LSU 3 LSA 3 Hello 139 Retransmitted LSU 0
Number of times inactivity timer expired for the interface = 24
```

VSAN traffic is not routed as expected. Which action should be taken to resolve the issue?

- A. Reset the error packet counter
- B. Configure the hello timer to match the neighbor
- C. Configure the FSPF dead interval with a value higher than 80 seconds
- D. Reset the inactivity timer on switch-2

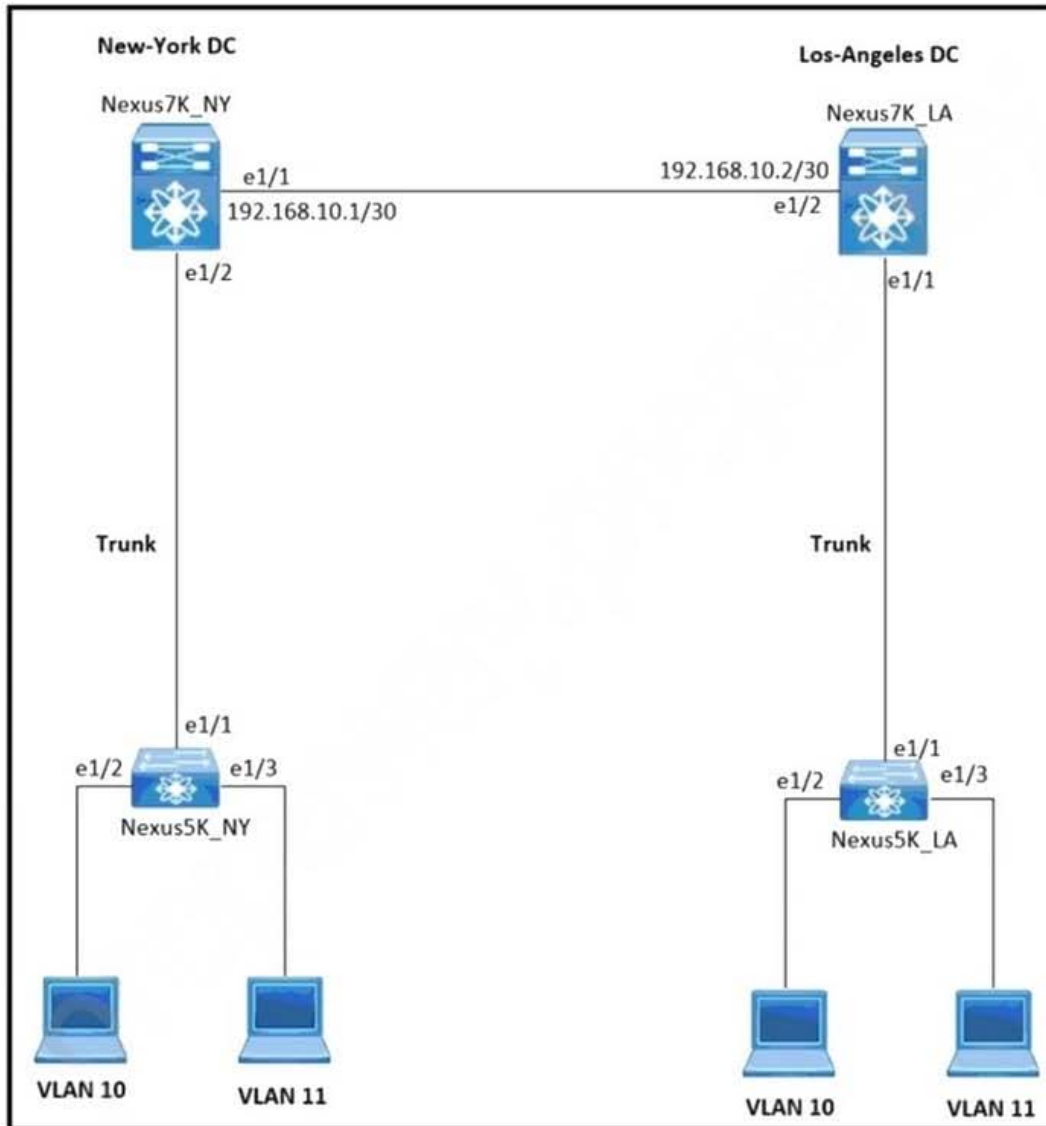
Correct Answer: B

Reference:

[https://www.cisco.com/en/US/docs/switches/datacenter/nexus5500/sw/troubleshooting/guide/n5500\\_ts\\_sans.html](https://www.cisco.com/en/US/docs/switches/datacenter/nexus5500/sw/troubleshooting/guide/n5500_ts_sans.html)

## QUESTION 5

Refer to the exhibit.



Nexus7K NY	Nexus7K LA
<pre> feature otv interface e1/1  no shutdown  ip address 192.168.10.1/30  ip igmp version 3  mtu 9216  interface e1/2  no shutdown  switchport mode trunk  vlan 5,10-11  otv site-vlan 5,10-11 otv site-identifier 0011.1122.2233  interface overlay 1  otv join-interface e1/1  otv control-group 224.1.1.1  otv data-group 232.1.1.0/24  otv extend-vlan 10-11  no shutdown                     </pre>	<pre> feature otv interface e1/2  no shutdown  ip address 192.168.10.2/30  ip igmp version 3  mtu 9216  interface e1/1  no shutdown  switchport mode trunk  vlan 5,10-11  otv site-vlan 5,10-11 otv site-identifier 0011.1122.2244  interface overlay 1  otv join-interface e1/2  otv control-group 224.1.1.1  otv data-group 232.1.1.0/24  otv extend-vlan 10-11  no shutdown                     </pre>

The OTV adjacency fails to come up. Which set of commands on each switch resolves the issue?

- A. otv extend-vlan 5 otv site-vlan 5
- B. otv extend-vlan 5 no otv site-vlan 5-10,11
- C. otv extend-vlan 5 no otv extend-vlan 11
- D. no otv site-vlan 5,10-11 otv site-vlan 5

Correct Answer: D

[Latest 300-615 Dumps](#)

[300-615 PDF Dumps](#)

[300-615 Study Guide](#)