

## 300-610<sup>Q&As</sup>

Designing Cisco Data Center Infrastructure (DCID)

### Pass Cisco 300-610 Exam with 100% Guarantee

Free Download Real Questions & Answers **PDF** and **VCE** file from:

<https://www.leads4pass.com/300-610.html>

100% Passing Guarantee  
100% Money Back Assurance

Following Questions and Answers are all new published by Cisco  
Official Exam Center

-  **Instant Download** After Purchase
-  **100% Money Back** Guarantee
-  **365 Days** Free Update
-  **800,000+** Satisfied Customers



**QUESTION 1**

A company has added a new FCoE storage array to increase the performance of datastore access for end users. This storage array is directly connected to the Cisco Nexus 5672UP switches using four 10G port-channel interfaces. After deployment, the end users fail to access the datastore compared to the older solution. A network engineer verified the port-channel interface and finds that the congestion occurs when PFC frames are generated at the FCoE ingress interface.

Which action must be taken to resolve the congestion issue?

- A. Reserve bandwidth for FCoE VLAN on the port-channel interface connected with storage.
- B. Enable the FCoE class in QoS on Cisco Nexus 5672UP switches.
- C. Increase the queuing buffer in the port-channel interface connected to the storage array.
- D. Add an additional FCoE VLAN to the SAN network.

Correct Answer: C

Reference: [https://www.cisco.com/c/en/us/td/docs/switches/datacenter/nexus5000/sw/qos/513\\_n1\\_1/b\\_cisco\\_nexus\\_5000\\_qos\\_config\\_gd\\_513\\_n1\\_1/b\\_cisco\\_nexus\\_5000\\_qos\\_config\\_gd\\_513\\_n1\\_1\\_chapter\\_011.html](https://www.cisco.com/c/en/us/td/docs/switches/datacenter/nexus5000/sw/qos/513_n1_1/b_cisco_nexus_5000_qos_config_gd_513_n1_1/b_cisco_nexus_5000_qos_config_gd_513_n1_1_chapter_011.html)

---

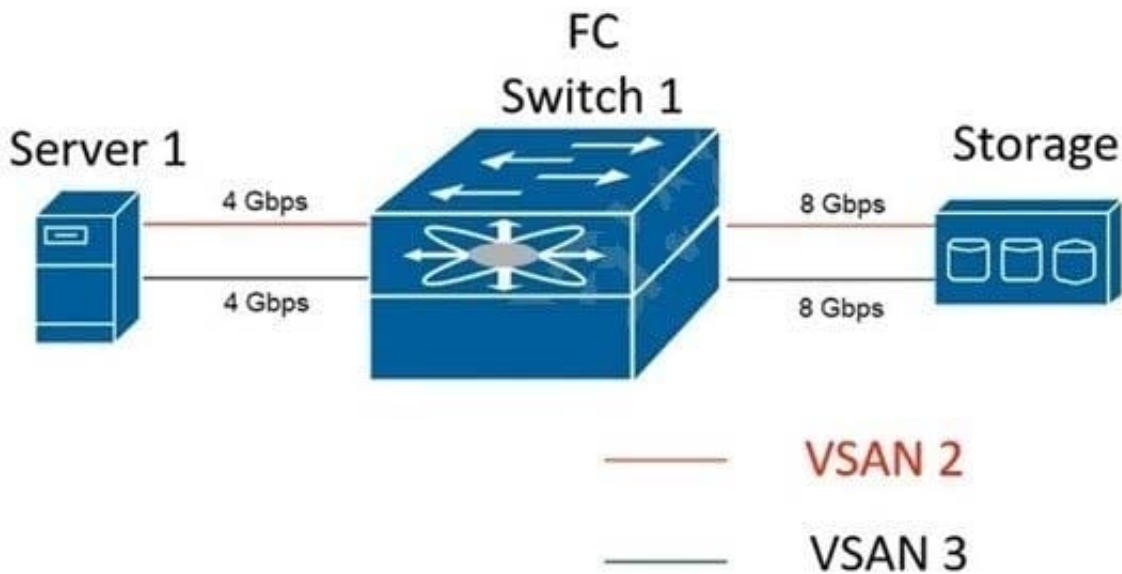
**QUESTION 2**

A company has several data centers with hundreds of Cisco UCS blade chassis. A network consultant plans to active Cisco Discovery Protocol to the servers to facilitate Layer 1 troubleshooting. For security reasons, the company wants to restrict the servers from sending different MAC addresses to the fabric interconnect after the MAC address from the first packet is learned. Which two policies be modified to support this design? (Choose two.)

- A. Pin Group Policy
- B. Network Control Policy
- C. vNIC Policy
- D. vNIC Template Policy
- E. Ethernet Adapter

Correct Answer: BD

[https://www.cisco.com/c/en/us/td/docs/unified\\_computing/ucs/ucs-manager/GUI-User-Guides/Network-Mgmt/4-0/b\\_UCSM\\_Network\\_Mgmt\\_Guide\\_4\\_0/b\\_UCSM\\_Network\\_Mgmt\\_Guide\\_4\\_0\\_chapter\\_01\\_010.html](https://www.cisco.com/c/en/us/td/docs/unified_computing/ucs/ucs-manager/GUI-User-Guides/Network-Mgmt/4-0/b_UCSM_Network_Mgmt_Guide_4_0/b_UCSM_Network_Mgmt_Guide_4_0_chapter_01_010.html)  
<https://jeremywaldrop.wordpress.com/2010/05/03/how-to-enable-cdp-on-cisco-ucs-vnics/>



### QUESTION 3

An engineer is building a data center network with VXLAN EVPN. The requirement is to use multicast for the broadcast, unknown unicast, and multicast replication. Which two VNI to multicast group mapping methods must be used to meet these requirements? (Choose two.)

- A. many NVE to one multicast group
- B. one VNI to one multicast group
- C. many VNI to one multicast group
- D. one NVE to many multicast groups
- E. many VNI to many multicast groups

Correct Answer: AC

### QUESTION 4

An engineer must configure an interface for managing and orchestrating a Cisco Nexus device. The interface must be operational if the data and control planes crash, support IPv4 and IPv6 addressing, and have been access to its own VRF instance.

Which interface should be used to meet these requirements?

- A. management interface
- B. lookup

C. interface VLAN

D. Physical interface

Correct Answer: A

---

## QUESTION 5

A network engineer is implementing Cisco UCS manager with Cisco UCS center integration. The company is strict security policies require that the logical profile of virtual network adapters and logical addressing assigned to Cisco UCS servers be managed by the Cisco UCS manager. The users must also be prevented from being able to acknowledge pending activities in the Cisco UCS manager.

Which two profile must be used to meet these requirements? (Choose two.)

A. Global maintenance

B. Public network control

C. Restricted chassis

D. Local power

E. Local service

Correct Answer: BE

[https://www.cisco.com/c/en/us/td/docs/unified\\_computing/ucs/ucs-central/GUI-User-Guides/Operations/b\\_UCSC\\_Ops\\_Guide/b\\_UCSC\\_Ops\\_Guide\\_chapter\\_0111.html#id\\_161](https://www.cisco.com/c/en/us/td/docs/unified_computing/ucs/ucs-central/GUI-User-Guides/Operations/b_UCSC_Ops_Guide/b_UCSC_Ops_Guide_chapter_0111.html#id_161)

[Latest 300-610 Dumps](#)

[300-610 Exam Questions](#)

[300-610 Braindumps](#)