

300-430^{Q&As}

Implementing Cisco Enterprise Wireless Networks (ENWLSI)

Pass Cisco 300-430 Exam with 100% Guarantee

Free Download Real Questions & Answers **PDF** and **VCE** file from:

<https://www.leads4pass.com/300-430.html>

100% Passing Guarantee
100% Money Back Assurance

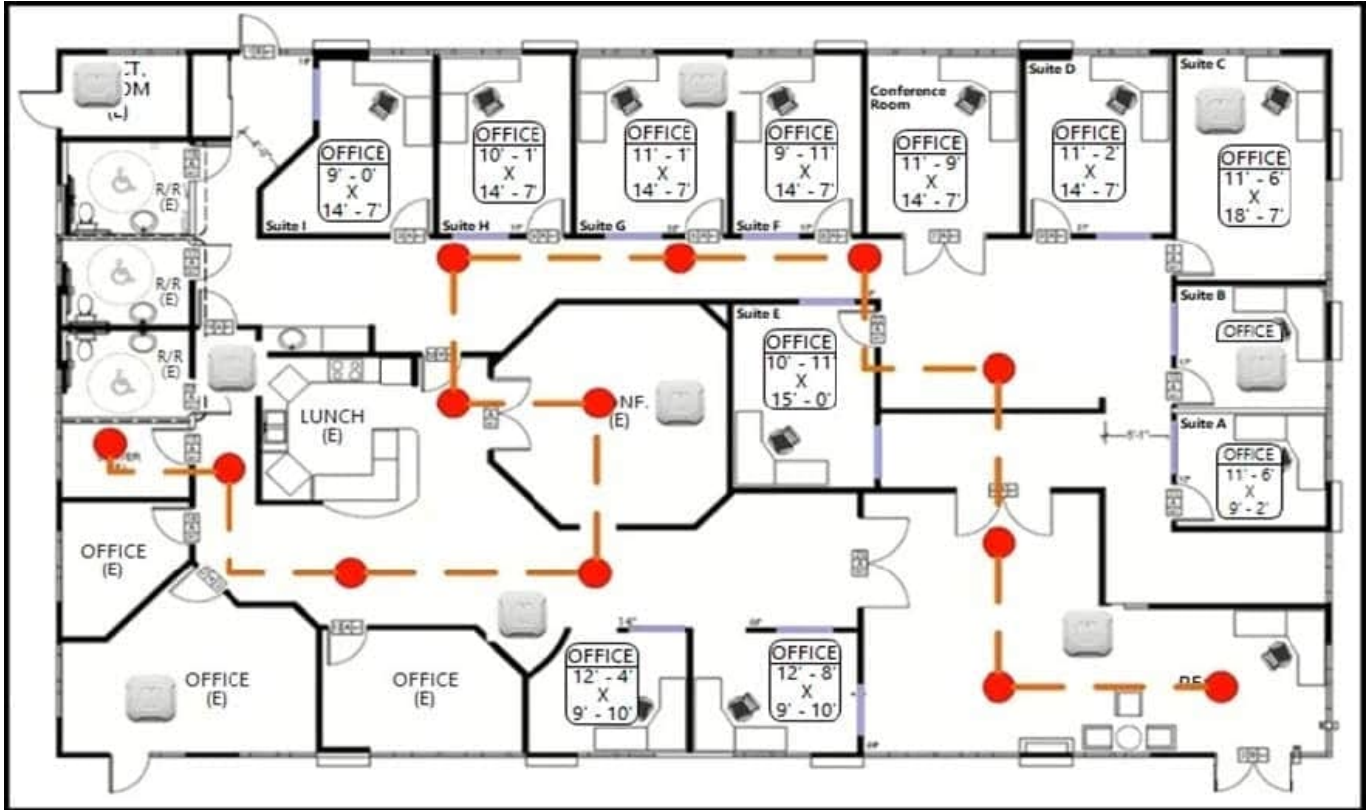
Following Questions and Answers are all new published by Cisco
Official Exam Center

-  **Instant Download** After Purchase
-  **100% Money Back** Guarantee
-  **365 Days** Free Update
-  **800,000+** Satisfied Customers



QUESTION 1

Refer to the exhibit.



An engineer needs to configure location services in an office. The requirement is to use FastLocate and achieve higher locations refresh rates. Which location-based technique should be implemented?

- A. probe-based
- B. location patterning
- C. data packet-based
- D. angulation

Correct Answer: C

QUESTION 2

For security purposes, an engineer enables CPU ACL and chooses an ACL on the Security > Access Control Lists > CPU Access Control Lists menu. Which kind of traffic does this change apply to, as soon as the change is made?

- A. wireless traffic only

- B. wired traffic only
- C. VPN traffic
- D. wireless and wired traffic

Correct Answer: D

When CPU ACL is enabled, it is applicable to both wireless and wired traffic.

https://www.cisco.com/c/en/us/td/docs/wireless/controller/8-5/config-guide/b_cg85/access_control_lists.html

QUESTION 3

After looking in the logs, an engineer notices that RRM keeps changing the channels for non-IEEE 802.11 interferers. After surveying the area, it has been decided that RRM should not change the channel. Which feature must be enabled to ignore non-802.11 interference?

- A. Avoid Cisco AP Load
- B. Avoid Persistent Non-WiFi Interference
- C. Avoid Foreign AP Interference
- D. Avoid Non-802.11 Noise

Correct Answer: B

Check the Avoid Non-802.11a (802.11b) Noise check box to cause the controller's RRM algorithms to consider noise (non-802.11 traffic) in the channel when assigning channels to lightweight access points, or uncheck it to disable this feature. For example, RRM may have access points avoid channels with significant interference from nonaccess point sources, such as microwave ovens. The default value is selected. Check the Avoid Persistent Non-WiFi Interference check box to configure the controller to stop ignoring persistent non-Wi-Fi interference in new channel calculation. The persistent non-Wi-Fi interference is considered during the metric calculation for channels.

https://www.cisco.com/c/en/us/td/docs/wireless/controller/9800/configure-guide/b_wi_16_10_cg/radio-resource-management.html https://www.cisco.com/c/en/us/td/docs/wireless/controller/8-6/config-guide/b_cg86/radio_resource_management.html

QUESTION 4

An engineer must configure MSE to provide guests access using social media authentication. Which service does the engineer configure so that guests use Facebook credentials to authenticate?

- A. Visitor Connect
- B. Client Connect
- C. Social Connect
- D. Guest Connect

Correct Answer: A

QUESTION 5

An IT administrator is managing a wireless network in which most devices are Apple iOS. A QoS issue must be addressed on the WLANs. Which configuration must be performed?

- A. Enable Fastlane globally under Wireless > Access Points > Global Configuration.
- B. Create a new AVC Profile named AUTOQOS-AVC-PROFILE and apply to all WLANs.
- C. Enable Fastlane under each WLAN setting.
- D. Enable WMM TSPEC/TCLAS negotiation under Wireless > Advanced.

Correct Answer: C

Reference: https://www.cisco.com/c/dam/en/us/td/docs/wireless/controller/technotes/8-3/Optimizing_WiFi_Connectivity_and_Prioritizing_Business_Apps.pdf

[Latest 300-430 Dumps](#)

[300-430 VCE Dumps](#)

[300-430 Practice Test](#)