



# 300-180<sup>Q&As</sup>

Troubleshooting Cisco Data Center Infrastructure

## Pass Cisco 300-180 Exam with 100% Guarantee

Free Download Real Questions & Answers **PDF** and **VCE** file from:

<https://www.lead4pass.com/300-180.html>

100% Passing Guarantee  
100% Money Back Assurance

Following Questions and Answers are all new published by Cisco  
Official Exam Center

-  **Instant Download** After Purchase
-  **100% Money Back** Guarantee
-  **365 Days** Free Update
-  **800,000+** Satisfied Customers





### QUESTION 1

Which statement about port channels is true?

- A. All member ports should be in up state for the port channel to be up
- B. All member ports in a port channel need not use the same speed and duplex
- C. It is recommended to make changes in the individual member ports that are part of the port channel
- D. Each port can be in only one port channel

Correct Answer: D

### QUESTION 2

Refer to the exhibit.

```
vfc19(0x81f479c), if_index: 0x1e000012, RID vfc19
FSM current state: FCOE_MGR_VFC_ST_DOWN
PSS Runtime Config:-
  Type: 3
  Bound IF: Eth1/19
  FCF Priority: 128 (Global)

PSS Runtime Data:-
  IOD: 0x00000000, WWN: 20:12:00:05:9b:1c:41:ff
  Created at: Tue Jun  7 16:03:04 2011
  FC Admin State: up
  Oper State: down, Reason: down
  Eth IF Index: Eth1/19, VDC ID 1
  Remote MAC : 00:00:00:00:00:00
  Vsan: 601
  FIP Capable ? : FALSE
  UP using DCBX ? : FALSE
```

An administrator is deploying FCoE; however, a VFC interface will not come up. The administrator executes the command `show platform software fcoe_mgr info interface vfc` and displays the output. What is the problem?

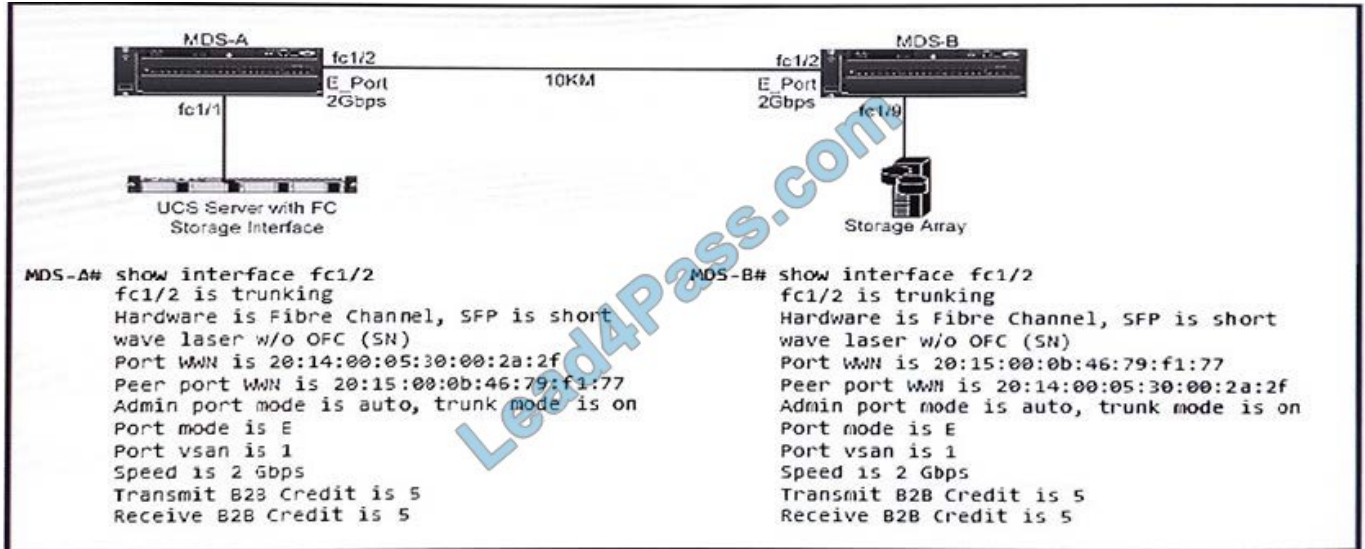
- A. An incorrect VSAN number is being used.
- B. The connected host does not support FIP.
- C. FCoE is not enabled.
- D. Priority flow control is not being negotiated with the converged network adapter.

Correct Answer: B



### QUESTION 3

Refer to the exhibit.



A customer has implemented dark fiber between two Cisco MDS SAN switches. After the network is put into production, the servers in site A experience poor performance when accessing the storage array in site B. While troubleshooting this issue, you discover the buffer credit applied on the interface that connects the MDS switches is incorrect. Which buffer-to-buffer credit value is needed to optimize the performance of the storage array access?

- A. 9
- B. 10
- C. 11
- D. 12

Correct Answer: D

Reference: [https://www.cisco.com/c/en/us/td/docs/switches/datacenter/mds9000/sw/5\\_0/configuration/guides/int/nxos/cli\\_interfaces/buffers.html](https://www.cisco.com/c/en/us/td/docs/switches/datacenter/mds9000/sw/5_0/configuration/guides/int/nxos/cli_interfaces/buffers.html)

### QUESTION 4

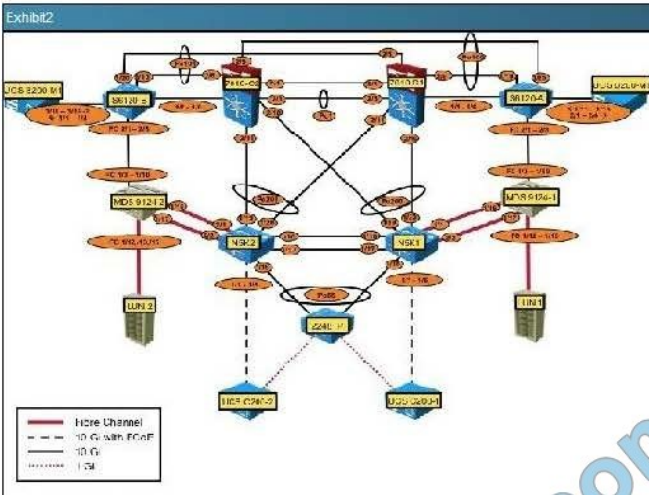


Instructions

- Enter NX-OS commands on the device to verify network operation and answer the multiple-choice questions.
- **THIS TASK DOES NOT REQUIRE DEVICE CONFIGURATION.**
- Click on the Console PC to gain access to the console of the router. No console or enable passwords are required.
- To access the multiple-choice questions, click on the numbered boxes on the left of the top panel.
- There are **three** multiple-choice questions with this task. Be sure to answer all three questions before clicking the **Next** button.

Scenario

The following three troubleshooting questions concern the Cisco Nexus 7000 and Nexus 5000 switches, which are at the core of the data center network. You can utilize all the available `show` commands to answer the questions. Access to the running configuration is not allowed.





The Cisco Nexus 2248 FEX has been added recently to the network via a vPC to the Nexus 5000 switches; however, connectivity is not yet operational. What is the problem with the configuration?

- A. Both Nexus 5000 switches must associate to the same FEX number
- B. Each Nexus 5000 should have its own FEX to support a straight-through topology.
- C. The maximum number of links for pinning purposes should be increased to 2.
- D. Ethernet1/18 must be configured without a port channel.

Correct Answer: D

---

#### QUESTION 5

You have a Cisco APIC environment. An administrator configures the administrator roles for managing a service configuration. You discover that some tenants can import device clusters but cannot use the device clusters.

What should you do to ensure that the tenants can use the device clusters?

- A. Change the read-only access permission for the tenants to read-write.
- B. Grant the tenants the nw-svc-devshare privilege.
- C. Grant the tenants the nw-svc-policy privilege.
- D. Grant the tenants the nw-svc-device privilege.

Correct Answer: C

[300-180 VCE Dumps](#)

[300-180 Study Guide](#)

[300-180 Braindumps](#)



To Read the [Whole Q&As](#), please purchase the [Complete Version](#) from [Our website](#).

## Try our product !

100% Guaranteed Success  
100% Money Back Guarantee  
365 Days Free Update  
Instant Download After Purchase  
24x7 Customer Support  
Average 99.9% Success Rate  
More than 800,000 Satisfied Customers Worldwide  
Multi-Platform capabilities - [Windows](#), [Mac](#), [Android](#), [iPhone](#), [iPod](#), [iPad](#), [Kindle](#)

We provide exam PDF and VCE of Cisco, Microsoft, IBM, CompTIA, Oracle and other IT Certifications. You can view Vendor list of All Certification Exams offered:

<https://www.lead4pass.com/allproducts>

## Need Help

Please provide as much detail as possible so we can best assist you.  
To update a previously submitted ticket:



 <p><b>One Year Free Update</b> Free update is available within One Year after your purchase. After One Year, you will get 50% discounts for updating. And we are proud to boast a 24/7 efficient Customer Support system via Email.</p>	 <p><b>Money Back Guarantee</b> To ensure that you are spending on quality products, we provide 100% money back guarantee for 30 days from the date of purchase.</p>	 <p><b>Security &amp; Privacy</b> We respect customer privacy. We use McAfee's security service to provide you with utmost security for your personal information &amp; peace of mind.</p>
---	---	--

Any charges made through this site will appear as Global Simulators Limited.  
All trademarks are the property of their respective owners.  
Copyright © lead4pass, All Rights Reserved.