



# 300-180<sup>Q&As</sup>

Troubleshooting Cisco Data Center Infrastructure

## Pass Cisco 300-180 Exam with 100% Guarantee

Free Download Real Questions & Answers **PDF** and **VCE** file from:

<https://www.lead4pass.com/300-180.html>

100% Passing Guarantee  
100% Money Back Assurance

Following Questions and Answers are all new published by Cisco  
Official Exam Center

-  **Instant Download** After Purchase
-  **100% Money Back** Guarantee
-  **365 Days** Free Update
-  **800,000+** Satisfied Customers





#### QUESTION 1

Which two options would cause switch fabrics not to merge? (Choose two.)

- A. The switches have different assigned VSANs on the connecting ports.
- B. The switches do not have at least one assigned domain ID in common.
- C. The election of the static domain is only determined by the WWNs of the two switches,
- D. The switches have different assigned VLANs on the connecting ports.
- E. The static domain ID does not override the dynamic ID

Correct Answer: AB

---

#### QUESTION 2

Before using the UCS Manager to configure SAN and network connectivity in the service profile, which two components needs to be created? (Choose two.)

- A. vHBA
- B. global VSAN
- C. vNIC
- D. global VLAN

Correct Answer: BD

---

#### QUESTION 3

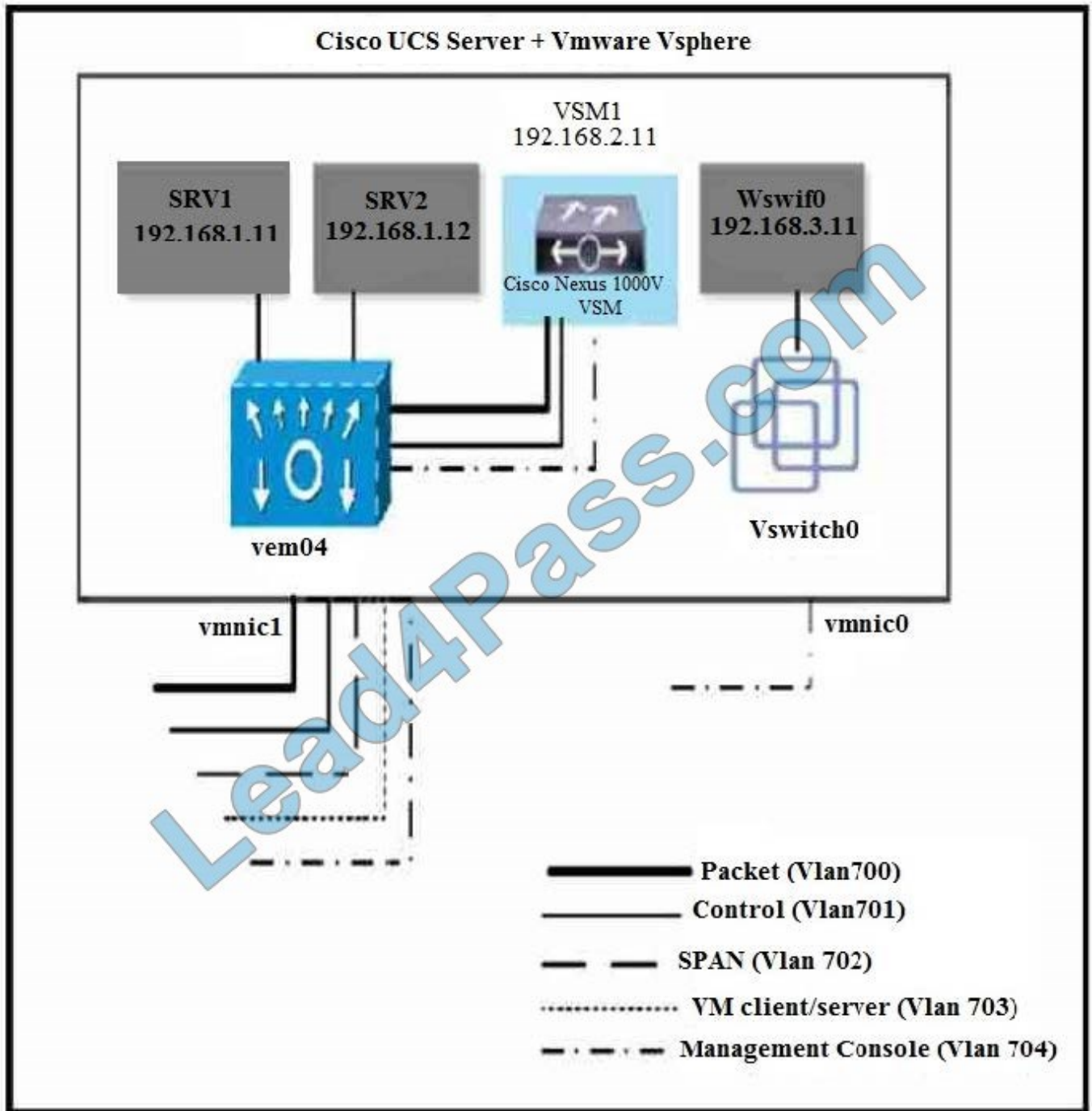
You are installing Microsoft Windows Server 2008 R2 on a Cisco UCS C210 M2 server, and the installer does not see local storage on the LSI MegaRAID SAS 9260-4i controller that is installed. Which statement explains the issue?

- A. The driver is not included in the installer DVD. Press F6 to load the LSI RAID driver from CD or virtual media.
- B. The virtual disk is not created and online.
- C. The LSI 9260-4i is only supported by Red Hat Enterprise Linux and VMware vSphere 4.0 and later.
- D. The installer DVD for Microsoft Windows Server 2008 R2 did not include the LSI driver until SP2.

Correct Answer: B

---

#### QUESTION 4



Refer to the exhibit. IGMP Snooping is configured on the Cisco Nexus 1000v switch to support the PIM sparse mode implementation within the data center. Which command validates the multicast configuration below on the Nexus 1000v switch?

VLAN	Group Address	Ver	Type	Port List				
-	*/*			v2				Eth1/1
-	224.0.1.24			v2		R	D	Veth8
-	239.0.0.1		v2		D			Veth1
-	239.255.255.254		v2		D			Veth8

A. show ip igmp snooping groups vlan 702



- B. show ip igmp snooping groups vlan 700
- C. show ip igmp snooping groups vlan 703
- D. show ip igmp snooping groups vlan 701

Correct Answer: B

---

#### QUESTION 5

Which two of these would cause two switch fabrics not to merge? (Choose three.)

- A. The switches do not have at least one assigned domain ID in common.
- B. Two switches have different assigned VSANs on the connecting ports.
- C. The switches have different assigned VLANs on the connecting ports.
- D. The static domain ID does not override the dynamic ID.
- E. The election of the static domain is only determined by the WWNs of the two switches.

Correct Answer: BC

[Latest 300-180 Dumps](#)

[300-180 PDF Dumps](#)

[300-180 Study Guide](#)



To Read the [Whole Q&As](#), please purchase the [Complete Version](#) from [Our website](#).

## Try our product !

100% Guaranteed Success  
100% Money Back Guarantee  
365 Days Free Update  
Instant Download After Purchase  
24x7 Customer Support  
Average 99.9% Success Rate  
More than 800,000 Satisfied Customers Worldwide  
Multi-Platform capabilities - [Windows](#), [Mac](#), [Android](#), [iPhone](#), [iPod](#), [iPad](#), [Kindle](#)

We provide exam PDF and VCE of Cisco, Microsoft, IBM, CompTIA, Oracle and other IT Certifications. You can view Vendor list of All Certification Exams offered:

<https://www.lead4pass.com/allproducts>

## Need Help

Please provide as much detail as possible so we can best assist you.  
To update a previously submitted ticket:



 <p><b>One Year Free Update</b> Free update is available within One Year after your purchase. After One Year, you will get 50% discounts for updating. And we are proud to boast a 24/7 efficient Customer Support system via Email.</p>	 <p><b>Money Back Guarantee</b> To ensure that you are spending on quality products, we provide 100% money back guarantee for 30 days from the date of purchase.</p>	 <p><b>Security &amp; Privacy</b> We respect customer privacy. We use McAfee's security service to provide you with utmost security for your personal information &amp; peace of mind.</p>
---	---	--

Any charges made through this site will appear as Global Simulators Limited.  
All trademarks are the property of their respective owners.  
Copyright © lead4pass, All Rights Reserved.