



300-175^{Q&As}

Cisco Data Center Unified Computing

Pass Cisco 300-175 Exam with 100% Guarantee

Free Download Real Questions & Answers **PDF** and **VCE** file from:

<https://www.lead4pass.com/300-175.html>

100% Passing Guarantee
100% Money Back Assurance

Following Questions and Answers are all new published by Cisco
Official Exam Center

-  **Instant Download** After Purchase
-  **100% Money Back** Guarantee
-  **365 Days** Free Update
-  **800,000+** Satisfied Customers





QUESTION 1

You must update your certificates after the name of a Cisco UCS Fabric Interconnect cluster changes. Which action do you take?

- A. Use the built-in default key ring certificate in Cisco UCS Manager.
- B. Regenerate the certificate manually.
- C. Request a new public-key certificate from the intermediate CA.
- D. Request a new root certificate from the root CA.

Correct Answer: B

QUESTION 2

Which two factors determine the recommended maximum number of virtual interfaces on a Cisco UCS system? (Choose two.)

- A. the number of compute blades in the system
- B. the number of interfaces sharing the uplinks
- C. the driver version on the OS running on the compute blade
- D. the number of uplinks between I/O Module and Fabric Interconnect

Correct Answer: CD

https://www.cisco.com/c/en/us/td/docs/unified_computing/ucs/c-series_integration/ucsm2-0-2/b_UCSM_202_C-Integration/b_UCSM_202_C-Integration_chapter_01.html#reference_7F381038303B4825ACD303765905086A The number of uplinks between I/O Module and Fabric Interconnect

https://www.cisco.com/c/en/us/td/docs/unified_computing/ucs/ucs-manager/Reference-Docs/Configuration-Limits/3-1/b_UCS_Configuration_Limits_3_1.html the driver version on the OS running on the compute blade

QUESTION 3

Which two protocols does the Cisco Integrated Management Controller support for managing standalone Cisco UCS -Series servers? (Choose two.)

- A. SoL
- B. IPMI
- C. IPMIv2



D. SMASH CLP

E. SNMPv3

Correct Answer: CE

<https://www.cisco.com/c/dam/en/us/products/collateral/servers-unified-computing/ucs-c-series-rack-servers/at-a-glance-c45-737177.pdf> The IMC supports industry-standard protocols, including

Redfish version 1.01,

Intelligent Platform Monitoring Interface Version 2 (IPMI v2), and

Simple Network Management Protocol versions 2 and 3 (SNMP v2 and v3).

It also provides an open Extensible Markup Language (XML) API and a command-line interface (CLI).

QUESTION 4

Open the windows by clicking on the minimized at the bottom of the viewing area. Windows can be minimized by clicking on the [X], repositioned by dragging the title bar, and resized by using the handle at the lower right corner to customize the viewing area.

If you are required to access the devices to complete this scenario, the mouse cursor will use a hand symbol when moved over device icons. Clicking the icon will open a device terminal so you can interact with the hardware. Open the Questions window and begin by clicking a question number. When you have completed answering all questions, click Done to continue.

Scenario

Use your UCS knowledge on Adapter errorsconfigurations.



```
UCS-A# scope server 1/5
UCS-A/chassis/server # show adapter detail

Adapter:
Id:2
Product Name: Cisco UCS 82598KR-CI
PID: N20-AI002
VID: V01
Vendor: Cisco Systems Inc.
Serial: QCI132300CC
Revision: 0
Mfg Date: 2009-06-13TCO:00:00.000
Slot: N/A
Overall Status: Operable
Conn Path: A, B
Conn Status: Unknown
Managing Instance: B
Product Description: PCI Express Dual Port 10 Gigabit Ethernet Serv
UCS-A/chassis/server #
```

We are working on which server?

- A. 1
- B. 2
- C. 3 D. 4
- E. 5

Correct Answer: E

QUESTION 5

Scenario

In this scenario, you will refer to screenshots about Cisco UCS B-Series servers and UCS Manager.

Instructions

To access the multiple-choice questions, click on the numbered boxes on the left of the top panel. There are four multiple-choice questions with this task. Be sure to answer all four questions before selecting the Next button.



DCUCI 5.0 Lab Topology—Backbone

Legend:

- Fibre Channel
- 10 GE with FCoE
- - - 10 GE
- 1 GE
- GE = Gigabit Ethernet

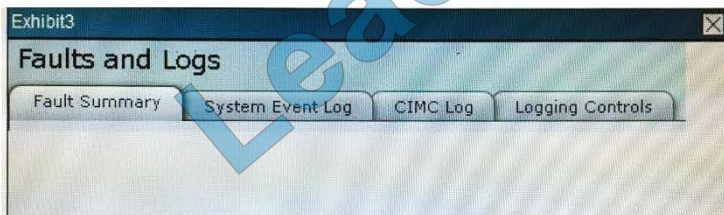
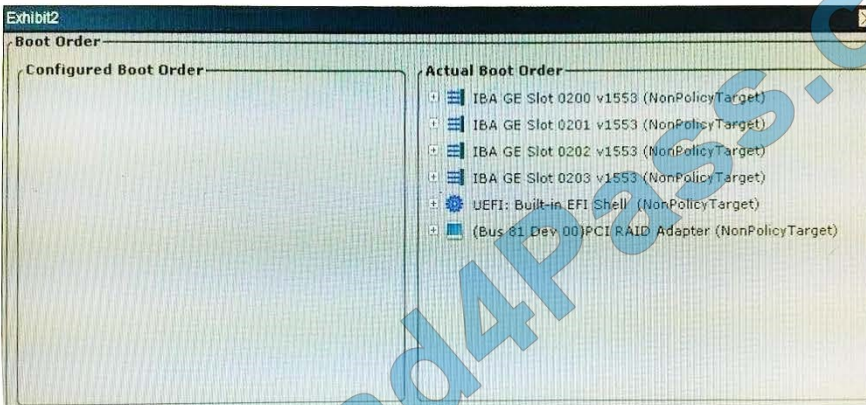
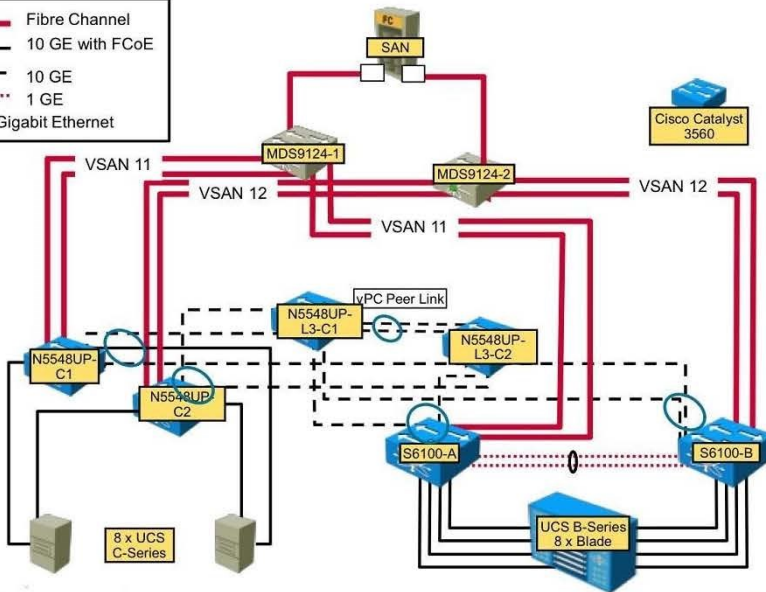




Exhibit4

Trap Details

Trap Settings

ID: 1

Enabled:

SNMP Version: V3

Trap Type: Trap Inform

User: None

Destination IP: 0.0.0.0

OK Reset Values Close

Exhibit5

User Details

User Properties

ID: 2

Enabled:

Username: _____

Role: read-only

Change Password:

New Password: _____

Confirm New Password: _____

Save Changes Reset Values Cancel



Refer to the screenshot in Exhibit 4. Once you enable an SNMP Trap destination, which SNMP Version is required to configure the Inform Trap Type?

- A. 1
- B. 2
- C. 2c
- D. 3

Correct Answer: D

http://www.cisco.com/c/en/us/td/docs/switches/datacenter/sw/5_x/nx-os/system_management/configuration/guide/sm_nx_os_cg/sm_9snmp.html

[Latest 300-175 Dumps](#)

[300-175 VCE Dumps](#)

[300-175 Braindumps](#)



To Read the [Whole Q&As](#), please purchase the [Complete Version](#) from [Our website](#).

Try our product !

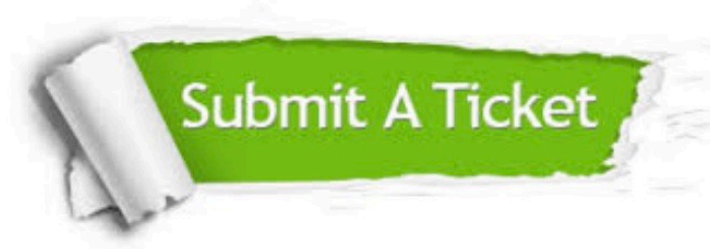
100% Guaranteed Success
100% Money Back Guarantee
365 Days Free Update
Instant Download After Purchase
24x7 Customer Support
Average 99.9% Success Rate
More than 800,000 Satisfied Customers Worldwide
Multi-Platform capabilities - [Windows](#), [Mac](#), [Android](#), [iPhone](#), [iPod](#), [iPad](#), [Kindle](#)

We provide exam PDF and VCE of Cisco, Microsoft, IBM, CompTIA, Oracle and other IT Certifications. You can view Vendor list of All Certification Exams offered:

<https://www.lead4pass.com/allproducts>

Need Help

Please provide as much detail as possible so we can best assist you.
To update a previously submitted ticket:



 <p>One Year Free Update Free update is available within One Year after your purchase. After One Year, you will get 50% discounts for updating. And we are proud to boast a 24/7 efficient Customer Support system via Email.</p>	 <p>Money Back Guarantee To ensure that you are spending on quality products, we provide 100% money back guarantee for 30 days from the date of purchase.</p>	 <p>Security & Privacy We respect customer privacy. We use McAfee's security service to provide you with utmost security for your personal information & peace of mind.</p>
---	---	--

Any charges made through this site will appear as Global Simulators Limited.
All trademarks are the property of their respective owners.
Copyright © lead4pass, All Rights Reserved.