



300-075^{Q&As}

Implementing Cisco IP Telephony and Video

Pass Cisco 300-075 Exam with 100% Guarantee

Free Download Real Questions & Answers **PDF** and **VCE** file from:

<https://www.lead4pass.com/300-075.html>

100% Passing Guarantee
100% Money Back Assurance

Following Questions and Answers are all new published by Cisco
Official Exam Center

-  **Instant Download** After Purchase
-  **100% Money Back** Guarantee
-  **365 Days** Free Update
-  **800,000+** Satisfied Customers





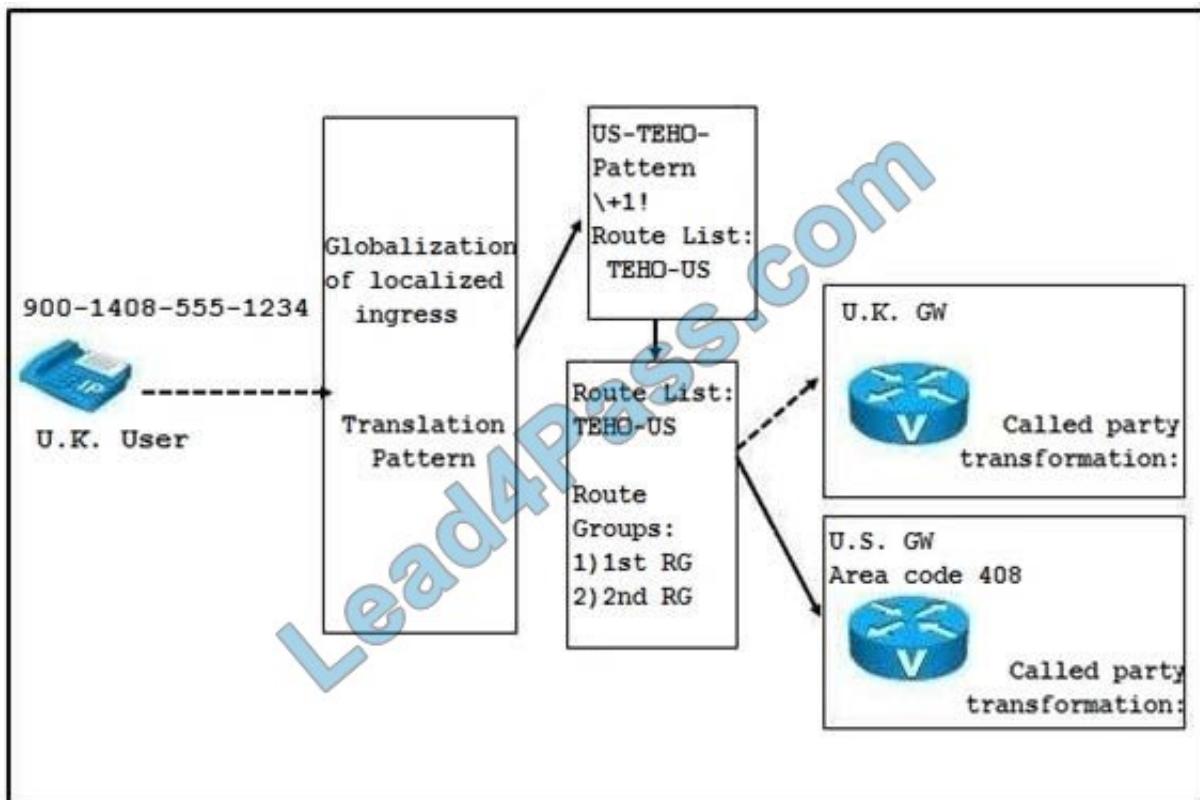
QUESTION 1

Which three of the following are steps in configuring MGCP Fallback and Cisco Unified SRST? (Choose three.)

- A. Define the SRST reference for phones in the Device Pool configuration
- B. Enable and configure the MGCP fallback and Cisco Unified SRST features on the IOS gateways.
- C. Implement a simplified SRST dial plan on the remote-site-gateways to ensure connectivity for remote-site phones in SRST mode.
- D. Enable SIP trunking between both remote and hub sites to provide mesh coverage.
- E. Define the SRST reference in the configuration on the IP Phones.
- F. Enable and configure the MGCP fallback on the IOS gateway but not Cisco Unified SRST since it is enabled automatically.

Correct Answer: ABC

QUESTION 2



Refer to the exhibit. The exhibit shows centralized Cisco Unified Communications Manager configuration components for TEHO calls to U.S. area code 408 from the U.K. The PSTN access code for the U.K. is 9 and 001 for international calls to the U.S. To match the US-TEHO pattern \+!, how should the translation pattern be configured?



- A. 9001.4085551234 with the Called Party Transformation: Discard Digits PreDot Prefix Digits Outgoing Calls: +
- B. 9.0014085551234 with the Called Party Transformation: Discard Digits PreDot Prefix Digits Outgoing Calls: +1
- C. 900.14085551234 with the Called Party Transformation: Discard Digits PreDot Prefix Digits Outgoing Calls: +1
- D. 900.14085551234 with the Called Party Transformation: Discard Digits PreDot Prefix Digits Outgoing Calls: +
- E. 001.4085551234 with the Called Party Transformation: Prefix Digits Outgoing Calls: +

Correct Answer: D

The PSTN access code for the UK is 9, International call code is 001, The international escape character, +, signifies the international access code in a complete E.164 number format.

QUESTION 3

Company X has a Cisco Unified Communications Manager cluster and a Cisco Unity Connection cluster at its head office and implemented SRST for its branch offices. One Monday at 2:00 pm, the WAN connection to a branch office failed and stayed down for 45 minutes. That day the help desk received several calls from the branch saying their voicemail was not working but they were able to make and receive calls.

Why did the users not realize the WAN was down and prevented access to their voicemail?

- A. All the phones should have started ringing the instant the WAN connection failed to signal the start of SRST mode.
- B. All calls should have dropped when the WAN failed so users would be instantly aware.
- C. Although the phones were still working, the users should have noticed that the phone displays said "SRST Fallback Active".
- D. The voice administrators at the head office did not call the users to notify them.

Correct Answer: C

QUESTION 4

Which statement describes locations based CAC?

- A. It is a purely logical assignment and does not reflect the actual topology or the actual bandwidth available.
- B. The configured bandwidth limit is dependent on the destination location of the call.
- C. Each device may have more than one location assigned.
- D. Cisco Unified Communications Manager uses an arbitrary bandwidth value for each location.
- E. Locations based CAC is used to determine the codec used between sites.

Correct Answer: A



QUESTION 5

Which action configures phones in site A to use G.711 to site B, but uses G.729 to site C?

- A. Configure Cisco Unified Communications Manager regions.
- B. Configure Cisco Unified Communications Manager locations.
- C. Configure transcoder resources in Cisco Unified Communications Manager.
- D. Configure a gatekeeper.

Correct Answer: A

[Latest 300-075 Dumps](#)

[300-075 PDF Dumps](#)

[300-075 Practice Test](#)



To Read the [Whole Q&As](#), please purchase the [Complete Version](#) from [Our website](#).

Try our product !

100% Guaranteed Success
100% Money Back Guarantee
365 Days Free Update
Instant Download After Purchase
24x7 Customer Support
Average 99.9% Success Rate
More than 800,000 Satisfied Customers Worldwide
Multi-Platform capabilities - [Windows](#), [Mac](#), [Android](#), [iPhone](#), [iPod](#), [iPad](#), [Kindle](#)

We provide exam PDF and VCE of Cisco, Microsoft, IBM, CompTIA, Oracle and other IT Certifications. You can view Vendor list of All Certification Exams offered:

<https://www.lead4pass.com/allproducts>

Need Help

Please provide as much detail as possible so we can best assist you.
To update a previously submitted ticket:



 <p>One Year Free Update Free update is available within One Year after your purchase. After One Year, you will get 50% discounts for updating. And we are proud to boast a 24/7 efficient Customer Support system via Email.</p>	 <p>Money Back Guarantee To ensure that you are spending on quality products, we provide 100% money back guarantee for 30 days from the date of purchase.</p>	 <p>Security & Privacy We respect customer privacy. We use McAfee's security service to provide you with utmost security for your personal information & peace of mind.</p>
---	---	--

Any charges made through this site will appear as Global Simulators Limited.
All trademarks are the property of their respective owners.
Copyright © lead4pass, All Rights Reserved.