

210-010^{Q&As}

VCE Vblock™ Systems Deployment and Implementation - Core Exam

Pass VCE 210-010 Exam with 100% Guarantee

Free Download Real Questions & Answers **PDF** and **VCE** file from:

<https://www.leads4pass.com/210-010.html>

100% Passing Guarantee
100% Money Back Assurance

Following Questions and Answers are all new published by VCE Official Exam Center

- ⚙️ **Instant Download** After Purchase
- ⚙️ **100% Money Back** Guarantee
- ⚙️ **365 Days** Free Update
- ⚙️ **800,000+** Satisfied Customers



QUESTION 1

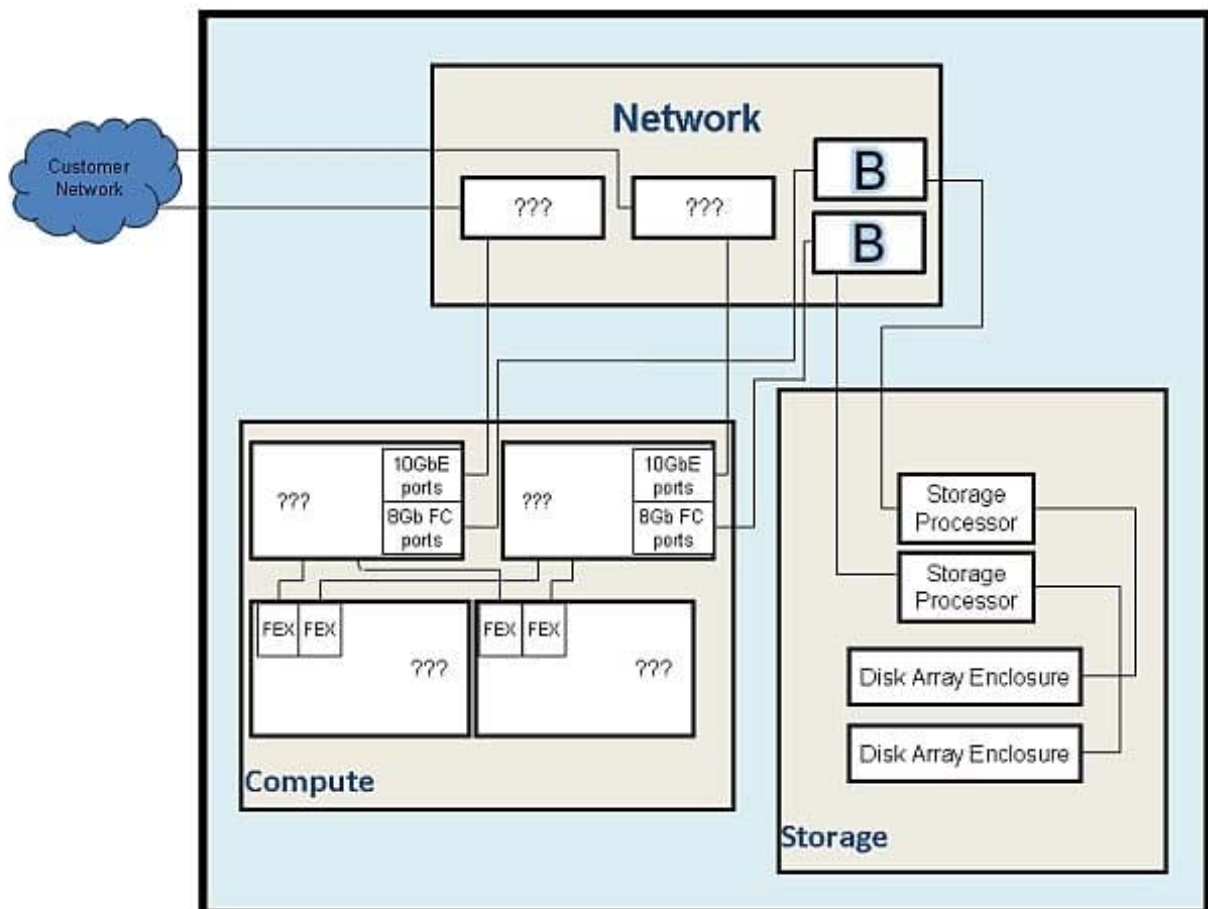
Which three configuration parameters are available to create a virtual machine when performing a typical installation? (Choose three.)

- A. data store location
- B. virtual disk size
- C. virtual machine hardware version
- D. primary network connection
- E. number of vCPUs

Correct Answer: ABD

QUESTION 2

-- Exhibit -



-- Exhibit -Click the Exhibit button.

Referring to the exhibit, which Vblock System 320 component is "B"?

- A. Cisco Nexus switch
- B. Cisco UCS fabric interconnect
- C. Cisco MDS switch
- D. Cisco fabric extender

Correct Answer: C

QUESTION 3

Customers provide the information used to develop the Logical Configuration Survey (LCS) before manufacturing begins.

What information is required? (Choose two.)

- A. syslog server IP address
- B. NTP server IP address
- C. method of device access (telnet or SSH)
- D. MIB browser IP address

Correct Answer: BC

QUESTION 4

For which data type is NAS used?

- A. block level access
- B. file level access
- C. fixed content
- D. object content

Correct Answer: B

QUESTION 5

In Cisco Unified Computing System Manager (UCSM), which selection under the Admin tab would you select to configure SNMP?

- A. Call Home

B. Communication Services

C. Management Interfaces

D. Syslog

Correct Answer: B

[210-010 PDF Dumps](#)

[210-010 VCE Dumps](#)

[210-010 Exam Questions](#)