

1Z0-822^{Q&As}

Oracle Solaris 11 Advanced System Administration

Pass Oracle 1Z0-822 Exam with 100% Guarantee

Free Download Real Questions & Answers **PDF** and **VCE** file from:

<https://www.leads4pass.com/1z0-822.html>

100% Passing Guarantee
100% Money Back Assurance

Following Questions and Answers are all new published by Oracle
Official Exam Center

-  **Instant Download** After Purchase
-  **100% Money Back** Guarantee
-  **365 Days** Free Update
-  **800,000+** Satisfied Customers



QUESTION 1

Which utility/service must you use to set processes with FSS by default?

- A. priocntl
- B. svc:/system/scheduler:default
- C. dispadmin
- D. projmod

Correct Answer: C

QUESTION 2

Your company decides to store its software packages in one repository. The new repository will include five publishers. How can you configure your pkg clients such that each package is updated from the publisher originally used to install it?

- A. Configure it such that the preferred publisher has the highest rank.
- B. Configure it such that each publisher is added with the --search-first option.
- C. Configure it such that the top ranked publisher is sticky.
- D. Configure it such that all publishers are sticky.
- E. Configure it such that the bottom-ranked publisher is sticky.

Correct Answer: B

QUESTION 3

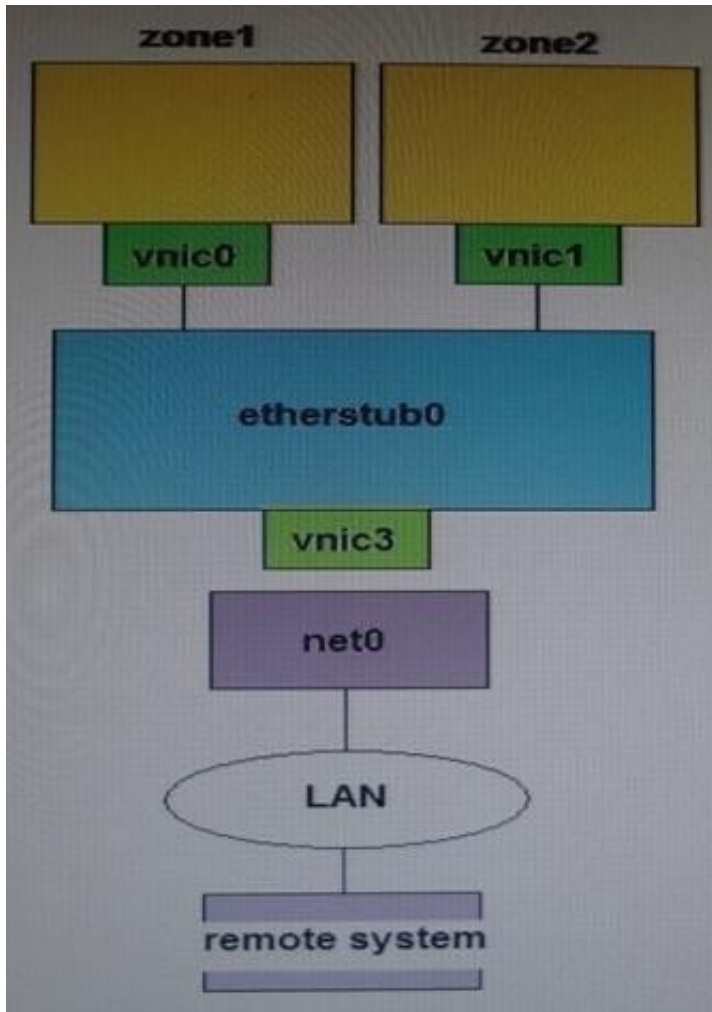
Assume you are on a system that has a valid use account johnjay Consider the following command-line invocation:

rolemod p "Network Administrator,All,Stop" johnjay What is the result?

- A. The user will not acquire profiles allowed in /etc/security/policy.conf
- B. There is no effect. The user acquires all profiles before the Stop profile is read.
- C. The system will return an error.
- D. The user gets Network Administrator profile and all profiles listed in the All macro.

Correct Answer: D

QUESTION 4



Consider the following commands and output on the local server:

```

root@sol11-server:~# dladm show-phys
LINK          MEDIA      STATE SPEED DUPLEX DEVICE
net0          Ethernet  up    1000 full  nge0
net1          Ethernet  up    100   full  nge1

zone1/etherstub0 vnic0 - 192.168.2.210
zone2/etherstub0 vnic1 - 192.168.2.220
etherstub0 vnic3 - 192.168.2.200
net0 - 192.168.1.200
remote-system 192.168.1.1
    
```

Also, consider the following route table entry on a remote system:

```
192.168.2.0 192.168.1.200 UG 1 1
```

You must configure a virtual switch to connect over net0 to the remote system. Select two commands that complete the configuration.

- A. `ipadm set-ifprop p forwarding=on net0`
- B. `ipadm set-prop p forwarding=on vnic2`

C. ipacim set-prop p forwarding=on ipv4

D. ipadm set-prop p routing=on net0

E. routeadm ue ipv4-forwarding

F. routeadm ue ipv4-routing

Correct Answer: BF

QUESTION 5

Consider the following command: `dispadm -c IA -g -r 1000000`

Which statement correctly describes the result?

A. The quantum will be reported in milliseconds.

B. The quantum will be output every 1000000 milliseconds.

C. The quantum will be reported in microseconds.

D. The quantum will be output every 1000000 microseconds.

Correct Answer: A

[1Z0-822 PDF Dumps](#)

[1Z0-822 VCE Dumps](#)

[1Z0-822 Exam Questions](#)