

# 1Z0-821<sup>Q&As</sup>

Oracle Solaris 11 System Administration

**Pass Oracle 1Z0-821 Exam with 100% Guarantee**

Free Download Real Questions & Answers **PDF** and **VCE** file from:

<https://www.leads4pass.com/1z0-821.html>

100% Passing Guarantee  
100% Money Back Assurance

Following Questions and Answers are all new published by Oracle  
Official Exam Center

-  **Instant Download** After Purchase
-  **100% Money Back** Guarantee
-  **365 Days** Free Update
-  **800,000+** Satisfied Customers



## QUESTION 1

View the Exhibit and review the zpool and ZFS configuration information from your system.

```

pool: pool1
state: ONLINE
scan: none requested
config:

    NAME                STATE                READ WRITE CKSUM
    pool1                ONLINE                0   0   0
      mirror-0           ONLINE                0   0   0
        c4t0d0            ONLINE                -   -   -
        c4t1d0            ONLINE                -   -   -
      mirror-1           ONLINE                0   0   0
        c4t2d0            ONLINE                -   -   -
        c4t3d0            ONLINE                -   -   -

errors: No known data errors

pool: rpool
state: ONLINE
scan: none requested
config:

    NAME                STATE                READ WRITE CKSUM
    rpool                ONLINE                0   0   0
      c3t0d0s0           ONLINE                0   0   0

errors: No known data errors
NAME                USED  AVAIL  REFER  MOUNTPOINT
pool1                138K  7.81G  32K    /pool1
pool1/prod_data      31K   7.81G  31K    /prod_data
rpool                11.6G  4.04G  34.5K  /rpool
rpool/ROOT           9.94G  4.04G  31K    legacy
rpool/ROOT/solaris  9.94G  4.04G  9.70G  /
rpool/dump           630M  4.05G  611M  -
rpool/export         6.07M  4.04G  32K    /export
rpool/export/home   6.04M  4.04G  32K    /export/home
  
```

Identify the correct procedure for breaking the /prod\_data mirror, removing c4t0d0 and c4t2d0, and making the data on c4t0d0 and c4t2d0 accessible under the dev\_data mount point.

- A. `zpool split pool1 pool2 c4t0d0 c4t2d0`  
`zpool import pool2zfs set mountpoint = /dev_data pool2/ prod_data`
- B. `zpool detach pool1 pool2`  
`zpool attach pool2zfs set mountpoint=/dev_data pool2/prod_data`
- C. `zpool split pool1/prod_data -n pool2/dev_data`  
`zfs set mountpoint = /dev_data pool2/prod_data`
- D. `zpool split pool1 pool2 c4t0d0 c4t2d0`  
`zpool import pool2`

Correct Answer: D

In this Solaris release, you can use the `zpool split` command to split a mirrored storage pool, which

detaches a disk or disks in the original mirrored pool to create another identical pool.

After the split operation, import the new pool.

---

## QUESTION 2

Identify the two security features incorporated in the Oracle Solaris 11 Cryptographic Framework.

- A. Layer 5 IP address encryptions
- B. Internet protocol security
- C. Diffie-Kerberos coaxial key encryption
- D. Signed cryptographic plugins (providers)
- E. Kernel support for signed antivirus plugins

Correct Answer: DE

The framework enables providers of cryptographic services to have their services used by many consumers in the Oracle Solaris operating system. Another name for providers is plugins. The framework allows three types of plugins:

\*

User-level plugins - Shared objects that provide services by using PKCS #11 libraries, such as pkcs11\_softtoken.so.1.

\*

Kernel-level plugins - Kernel modules that provide implementations of cryptographic algorithms in software, such as AES.

Many of the algorithms in the framework are optimized for x86 with the SSE2 instruction set and for SPARC hardware.

\*

Hardware plugins - Device drivers and their associated hardware accelerators. The Niagara chips, the ncp and n2cp device drivers, are one example. A hardware accelerator offloads expensive cryptographic functions from the operating system. The Sun Crypto Accelerator 6000 board is one example.

---

## QUESTION 3

A datalink can best be described as\_\_\_\_\_.

- A. a driver for a Network Interface Card
- B. the software connecting the Internet Layer and the Physical Layer
- C. a device that provides Classless Inter-Domain Routing
- D. a logical object used for IP Multipathing

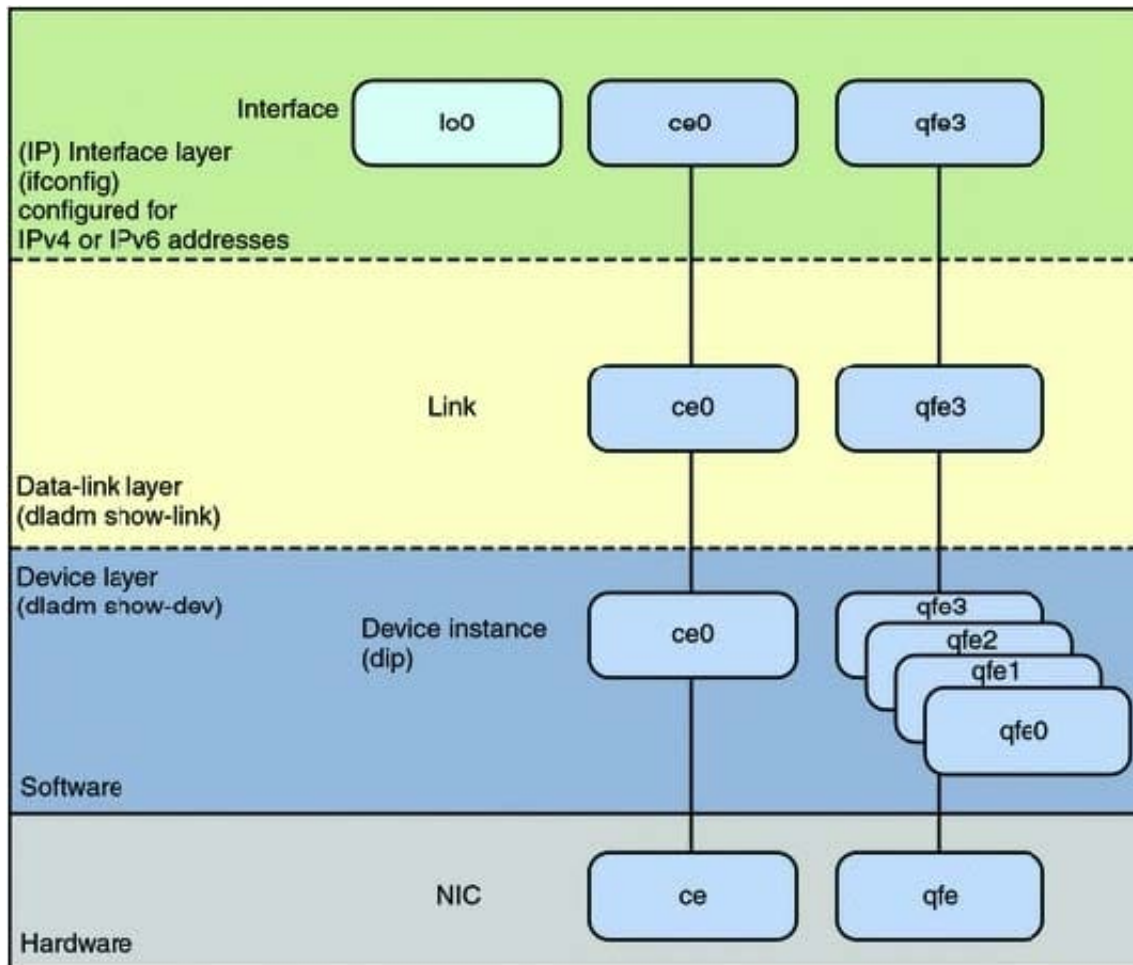
Correct Answer: D

The command `dladm` is used to configure data-link interfaces in Sun Solaris. A configured data-link is represented in the system as interface that can be used for TCP/IP. Each data-link relies on either a single network device or an link aggregation device to send and receive packets.

Network interfaces provide the connection between the system and the network. These interfaces are configured over data links, which in turn correspond to instances of hardware devices in the system.

In the current model of the network stack, interfaces and links on the software layer build on the devices in the hardware layer. More specifically, a hardware device instance in the hardware layer has a corresponding link on the data-link layer and a configured interface on the interface layer. This one-to-one relationship among the network device, its data link, and the IP interface is illustrated in the figure that follows.

Network Stack Showing Network Devices, Links, and Interfaces:



**QUESTION 4**

The following information is displayed for the `svc:/network/ssh` service:



```
fmri          svc:/network/ssh:default
name          SSH server
enabled       true
state         offline
next_state    none
state_time    December 31, 2011 07:10:08 AM EST
logfile       /var/svc/log/network-ssh:default.log
restarter     svc:/system/svc/restarter:default
contract_id   321
manifest      /etc/svc/profile/generic.xml
manifest      /lib/svc/manifest/network/ssh.xml
dependency    require_all/none svc:/system/filesystem/local (online)
dependency    optional_all/none svc:/system/filesystem/autofs (online)
dependency    require_all/none svc:/network/loopback (online)
dependency    require_all/none svc:/network/physical:default (online)
dependency    require_all/none svc:/system/cryptosvc (disabled)
dependency    require_all/none svc:/system/utmp (online)
dependency    optional_all/error svc:/network/ipfilter:default (disabled)
dependency    require_all/restart file:///localhost/etc/ssh/sshd_config (online)
```

```
svc:/network/ssh:default (SSH server)
State: offline since January 31, 2012 09:12:45 AM EST
Reason: Service svc:/system/cryptosvc:default is disabled.
  See: http://sun.com/msg/SMF-8000-GE
  Path: svc:/network/ssh:default
        svc:/system/cryptosvc:default
  See: man -M /usr/share/man -s 1M sshd
  See: /var/svc/log/network-ssh:default.log
Impact: This service is not running.
```

Which describes the minimum set of commands to be executed to bring the svc: /network/ssh: default service back online?

- A) `svcadm refresh svc:/network/ssh:default`
- B) `svcadm restart svc:/network/ssh:default`
- C) `svcadm enable svc:/system/cryptosvc`
- D) `svcadm enable svc:/system/cryptosvc`  
`svcadm enable svc:/network/ipfilter:default`  
`svcadm enable svc:/network/ssh:default`
- E) `svcadm enable svc:/system/cryptosvc`  
`svcadm enable svc:/network/ipfilter:default`  
`svcadm refresh svc:/network/ssh:default`
- F) `svcadm restart svc:/system/cryptosvc`  
`svcadm restart svc:/network/ipfilter:default`  
`svcadm restart svc:/network/ssh:default`
- G) `svcadm enable svc:/network/ssh:default`

A. Option A

B. Option B

C. Option C

D. Option D

E. Option E

F. Option F

G. Option G

Correct Answer: C

---

### QUESTION 5

This icon is displayed on the desktop of a laptop computer, which is running Oracle Solaris 11.



Which two statements describe the Information conveyed by this Icon?

A. NWAM is disabled.

B. NWAM is automatically configuring the network.

C. The wireless network card is manually configured and operational.

D. The wireless network card is manually configured but not operational.

E. The wireless network card is automatically configured and operational.

F. The wireless network card is automatically configured but not operational.

Correct Answer: BC

B: The Network Status notification icon is only displayed on the desktop if you are using NWAM to automatically configure your network.

C: All online (Wireless)

Indicates all manually enabled connections in the enabled network profile are online and that the required

number of connections in the enabled profile group (if such a group exists) are online. The required number is the same as those described for the All online (Wired) status.

Note that at least one online connection is wireless.

[1Z0-821 Practice Test](#)

[1Z0-821 Study Guide](#)

[1Z0-821 Braindumps](#)