

# 1Z0-519<sup>Q&As</sup>

Oracle E-Business Suite R12.1 Inventory Essentials

## Pass Oracle 1Z0-519 Exam with 100% Guarantee

Free Download Real Questions & Answers **PDF** and **VCE** file from:

<https://www.leads4pass.com/1z0-519.html>

100% Passing Guarantee  
100% Money Back Assurance

Following Questions and Answers are all new published by Oracle  
Official Exam Center

-  **Instant Download** After Purchase
-  **100% Money Back** Guarantee
-  **365 Days** Free Update
-  **800,000+** Satisfied Customers



**QUESTION 1**

Which two statements are true regarding lot-based unit of measure (UOM) conversions? (Choose two.)

- A. You cannot update existing on-hand balances for lot-based UOM conversions.
- B. You can create lot-specific UOM conversions for on-hand lots or lots with zero balance.
- C. You cannot create lot-specific UOM conversions for on-hand lots or lots with a zero balance.
- D. During a PO receipt, the lot-based conversion cannot be updated if the lot does not match existing conversion rates.
- E. Updating the on-hand balance on a lot-based UOM conversion requires a cycle count transaction with the lot number provided in the count record.

Correct Answer: BD

---

**QUESTION 2**

Which two parameters facilitate cross organization reports In a Multi-Org environment? (Choose two.)

- A. Ledger
- B. Legal Entity
- C. Operating Unit
- D. Reporting Level
- E. Reporting Context

Correct Answer: DE

---

**QUESTION 3**

Review the organization structure regarding the inventory organizations (IO) and sales organizations (SO)

The company has defined shipping networks based on these policies:

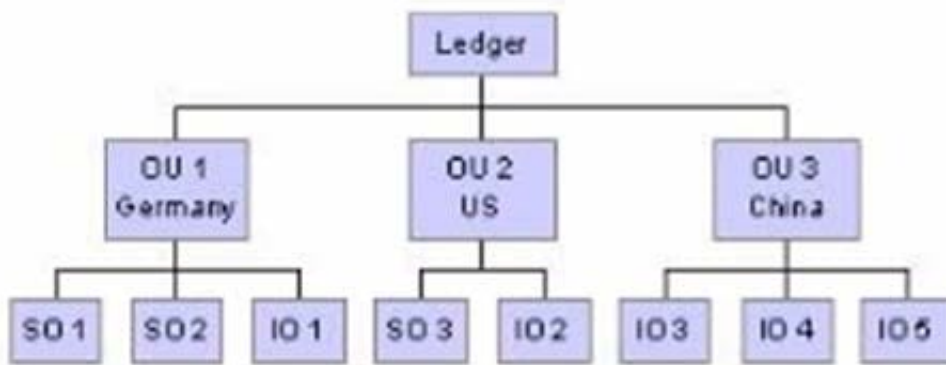
Inventory Organizations within an Operating Unit (OU) can perform shipments to the Sales Organizations only within the same OU.

An Inventory Organization can ship to any other Inventory Organization in the company.

The only exception to the rule is China, which can ship to any US organization.

Which sites can IO 3 ship to?

**Company XYZ**



- A. IO 2, IO 4, IO 5, SO 3
- B. IO 1, IO 2, IO 3, IO 4, IO 5
- C. IO 1, IO 2, IO 4, IO 5, SO 3
- D. IO2,IO 3, IO 4, IO 5, SO 3
- E. IO 1, IO2,IO 4, IO 5, SO 1, SO2,SO 3

Correct Answer: C

**QUESTION 4**

What is the impact of setting the profile option INV: Override Neg for Backflush = Yes?

- A. It would not allow inventory to be driven negative.
- B. Back flush transactions would drive inventory negative.
- C. Back flush transactions would not drive inventory negative.
- D. Back flush and inventory transactions would drive inventory negative.
- E. Back flush and inventory transactions would not drive inventory negative.
- F. It would permit the driving of on-hand inventory negative for miscellaneous issue transactions.

Correct Answer: B

**QUESTION 5**

Two Customer Service Representatives each book a sales order for an item that is revision and lot controlled. There are no other open, active sales orders for this item.

Each Customer Service Representative pick releases their order to the same warehouse independently.

The Pick Release Rule used by both includes Auto Allocation.

On the resulting Move Orders, Inventory has allocated all the requested quantity for one of the sales orders, but only half the requested quantity on the second sales order was available to be allocated.

Using the Transact Move Orders form, which action sequence can the warehouse person use to reduce the allocation on the first Move Order so that both customer orders can be equally satisfied?

- A. 1. View/Update Allocations;2. Change the allocated Revision and Quantity values, as appropriate.
- B. 1. View/Update Allocations;2. Change the allocated Revision and Quantity values;3. Change the allocated Lot and Quantity values, as appropriate
- C. 1. View/Update Allocations;2. Change the allocated Lot and Quantity values, as appropriate;3. Select the appropriate Missing Quantity Action.
- D. 1. View/Update Allocations;2. Change the allocated Revision and Quantity values, as appropriate;3. Change the DestinationSub inventory.

Correct Answer: C

[Latest 1Z0-519 Dumps](#)

[1Z0-519 VCE Dumps](#)

[1Z0-519 Study Guide](#)