

1Z0-519^{Q&As}

Oracle E-Business Suite R12.1 Inventory Essentials

Pass Oracle 1Z0-519 Exam with 100% Guarantee

Free Download Real Questions & Answers **PDF** and **VCE** file from:

<https://www.leads4pass.com/1z0-519.html>

100% Passing Guarantee
100% Money Back Assurance

Following Questions and Answers are all new published by Oracle
Official Exam Center

-  **Instant Download** After Purchase
-  **100% Money Back** Guarantee
-  **365 Days** Free Update
-  **800,000+** Satisfied Customers



QUESTION 1

A ____ Is a container for a unique set of information on a Daily Business Intelligence overview page.

- A. Report
- B. Region
- C. Dashboard
- D. Key Performance Indicator

Correct Answer: B

QUESTION 2

Your customer is planning to close the accounting period in Inventory. Before closing the period, the customer would like to view the total number of pending transactions in one form.

Which form would provide this information?

- A. Pending Status
- B. View Material Transactions
- C. Find Pending Transactions
- D. Transaction Open Interface
- E. Inventory Accounting Period

Correct Answer: E

QUESTION 3

Which two are supply sources for Supplier and Production inventory replenishment? (Choose two.)

- A. Discrete job
- B. Intransit order
- C. External sales order
- D. Replenishment move order
- E. Internal purchase requisition
- F. External purchase requisition

Correct Answer: AF

QUESTION 4

Which three statements are true about the item master? (Choose three.)

- A. It is possible to copy items across item master organizations.
- B. The item master organization is the centralized repository for all items in different organizations.
- C. It is possible to associate items in one item master organization with another item master organization.
- D. When an attribute control is set at the item master level, updates are not allowed at the item or organization level.
- E. There is no functional or technical difference between the item master organization and other organizations while transacting on an item.
- F. When an attribute control is set at the item master level, updates can still be made at the item or organization level but these updates would not propagate back up to the item master level.

Correct Answer: BDE

QUESTION 5

Review the organization structure regarding the inventory organizations (IO) and sales organizations (SO)

The company has defined shipping networks based on these policies:

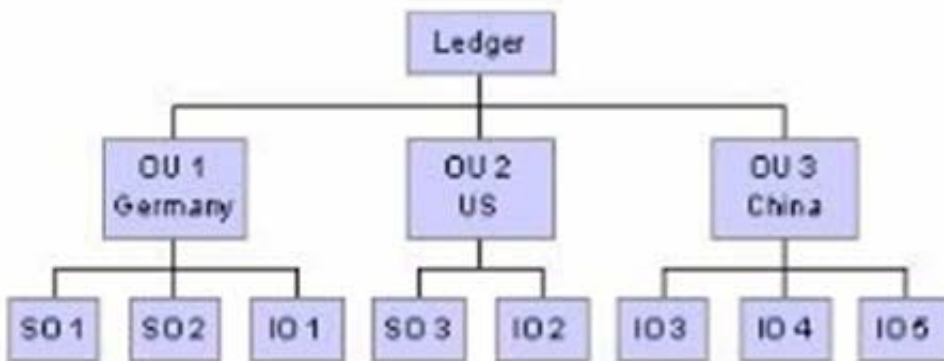
Inventory Organizations within an Operating Unit (OU) can perform shipments to the Sales Organizations only within the same OU.

An Inventory Organization can ship to any other Inventory Organization in the company.

The only exception to the rule is China, which can ship to any US organization.

Which sites can IO 3 ship to?

Company XYZ



- A. IO 2, IO 4, IO 5, SO 3
- B. IO 1, IO 2, IO 3, IO 4, IO 5
- C. IO 1, IO 2, IO 4, IO 5, SO 3
- D. IO2,IO 3, IO 4, IO 5, SO 3
- E. IO 1, IO2,IO 4, IO 5, SO 1, SO2,SO 3

Correct Answer: C

[1Z0-519 PDF Dumps](#)

[1Z0-519 VCE Dumps](#)

[1Z0-519 Exam Questions](#)