

1Z0-519^{Q&As}

Oracle E-Business Suite R12.1 Inventory Essentials

Pass Oracle 1Z0-519 Exam with 100% Guarantee

Free Download Real Questions & Answers **PDF** and **VCE** file from:

<https://www.leads4pass.com/1z0-519.html>

100% Passing Guarantee
100% Money Back Assurance

Following Questions and Answers are all new published by Oracle
Official Exam Center

-  **Instant Download** After Purchase
-  **100% Money Back** Guarantee
-  **365 Days** Free Update
-  **800,000+** Satisfied Customers



QUESTION 1

Identify the two statements that directly relate to material status control. (Choose two.)

- A. A material status can be enabled or disabled as required.
- B. The material status is defaulted when using Order Management.
- C. A serial number can be assigned a status that excludes it from reservations.
- D. A material status is a combination of transactions and planning actions that are allowed.
- E. If status control is not enabled for a transaction type, the transaction type is always allowed.

Correct Answer: DE

QUESTION 2

Select the true statement about Material Status Control.

- A. The profile option "INV: Default Item Status" must be set to Active at the site level to enforce Material Status Control.
- B. The profile option "INV: Material Status Support" must be set to Yes at the site level to enforce Material Status Control.
- C. The profile option "INV: Transaction Reasons Security" must be set to Yes at the site level to enforce Material Status Control.
- D. The profile option "INV: Allow Expense to Asset Transfer" must be set to Yes at the application level to enforce Material Status Control.

Correct Answer: B

QUESTION 3

Review the organization structure regarding the inventory organizations (IO) and sales organizations (SO)

The company has defined shipping networks based on these policies:

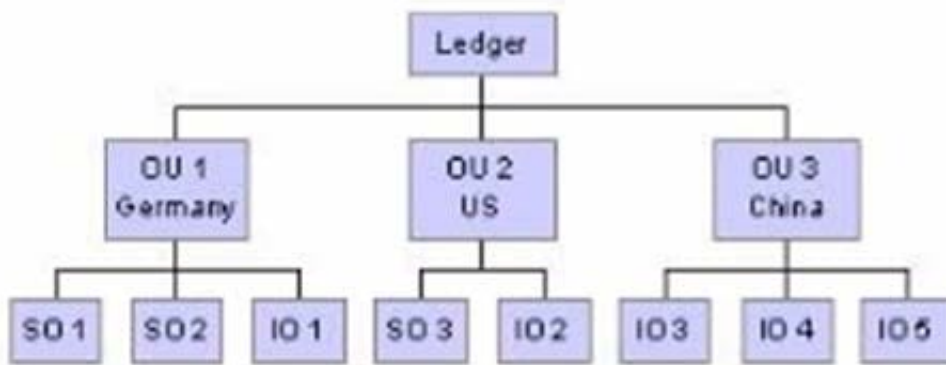
Inventory Organizations within an Operating Unit (OU) can perform shipments to the Sales Organizations only within the same OU.

An Inventory Organization can ship to any other Inventory Organization in the company.

The only exception to the rule is China, which can ship to any US organization.

Which sites can IO 3 ship to?

Company XYZ



- A. IO 2, IO 4, IO 5, SO 3
- B. IO 1, IO 2, IO 3, IO 4, IO 5
- C. IO 1, IO 2, IO 4, IO 5, SO 3
- D. IO2,IO 3, IO 4, IO 5, SO 3
- E. IO 1, IO2,IO 4, IO 5, SO 1, SO2,SO 3

Correct Answer: C

QUESTION 4

Identify four tasks that you can perform using Oracle Workflow in Oracle E-Business Suite Release 12. (Choose four.)

- A. Automate business processes.
- B. Generate account code combinations.
- C. Approve standard business documents.
- D. Send notifications using Advanced Queuing.
- E. Generate inventory item numbers using item generator workflow.
- F. Integrate with third party business systems that are not on a company network.

Correct Answer: ABDF

QUESTION 5

You created an internal requisition to move material between two organizations. The destination is locator controlled. The shipping network between these two locations has been defined as Direct. The shipment transaction fails.

What could be the reason for the failure?

- A. Locator default has not been set up in the transaction default.
- B. Internal requisitions cannot be used for Direct shipping networks.
- C. You did not indicate the locator of the destination on the requisition.
- D. Locator-controlled destinations cannot be used for Direct shipping networks.

Correct Answer: A

[Latest 1Z0-519 Dumps](#)

[1Z0-519 PDF Dumps](#)

[1Z0-519 Exam Questions](#)