

# 1Y0-402<sup>Q&As</sup>

Citrix XenApp and XenDesktop 7.15 Assessment, Design and Advanced Configurations

## Pass Citrix 1Y0-402 Exam with 100% Guarantee

Free Download Real Questions & Answers **PDF** and **VCE** file from:

<https://www.leads4pass.com/1y0-402.html>

100% Passing Guarantee  
100% Money Back Assurance

Following Questions and Answers are all new published by Citrix Official Exam Center

- ⚙️ **Instant Download** After Purchase
- ⚙️ **100% Money Back** Guarantee
- ⚙️ **365 Days** Free Update
- ⚙️ **800,000+** Satisfied Customers



## QUESTION 1

Scenario: A Citrix Architect is designing a new XenApp and XenDesktop environment and needs to determine which endpoints to include. Based on discussions with various departments, the user requirements listed in the Exhibit were collected.

Click the Exhibit button to view the requirements.

User Group	Typical Location	High Security User Group?	FlexCast Model Used	Peripheral Requirements	User Mobility	User Workload
Finance	Internal	Yes	Published apps	None	None	Low
Product Development	Internal	Yes	Static, persistent hosted desktop	USB Printers	None	High
Sales	Roaming	No	Published apps and desktops	USB Printers, Projectors	High	Medium

In addition to the user requirements, the architect must address the organizational requirement of minimizing endpoint management effort.

Which endpoint type should the architect use for the Sales group, based on the requirements?

- A. Corporate-owned smartphone
- B. BYOD smartphone
- C. Corporate-owned laptop/notebook
- D. Corporate-owned thin client
- E. BYOD laptop/notebook

Correct Answer: B

## QUESTION 2

Scenario: A large retail environment includes a StoreFront server group with two servers, each with 2 vCPUs and 4 GB of RAM. The server group handles about 25,000 user connections per hour, with a majority of the users accessing the environment using native Receiver. Workspace Control has been disabled for the environment.

A Citrix Architect learns that the company will soon merge with another retail chain. The XenApp and XenDesktop environment must double its capacity, and the StoreFront server group is expected to handle about 40,000 user connections per hour.

What should the architect do to meet the expected load while maintaining high availability with optimal resource

allocation for the StoreFront component?

- A. Add a third StoreFront server with 2 vCPUs and 4 GB of RAM.
- B. Allocate an additional 2 vCPUs to each existing StoreFront server.
- C. Train users to begin accessing the environment using Receiver for Web.
- D. Allocate an additional 2 GB of RAM to each existing StoreFront server.
- E. Enable Workspace Control for all StoreFront stores.

Correct Answer: E

### QUESTION 3

Scenario: A Citrix Architect needs to design a new XenApp and XenDesktop environment.

The architect has identified the access requirements listed in the Exhibit.

Click the Exhibit button to view the requirements.

User Groups	Endpoint	Authentication	Receiver Type	Deploy Receiver Client	Resource Filtering	External Access Required
Accountants	Corporate-owned	Smart Card	Receiver 4.10	Yes	No	No
Executives	BYOD	Username & Password	HTML5	Yes	No	Yes
Graphic Designers	Mac BYOD	Username & Password	MAC Receiver 4.10	Yes	No	No
Customer Service	Corporate-owned	Anonymous Access	Receiver 4.10	Yes	No	Yes

A single store has already been configured with the following settings, every other setting has been kept as a default.

Username/Password authentication No resource filtering NetScaler Gateway is configured for authentication No IIS redirection Deploy Receiver 4.10 installer

The architect needs to evaluate whether the current store, which cannot be changed, meets the requirements of the user groups and needs to determine how many additional stores are required.

How many additional StoreFront stores does the architect need to support the requirements shown in the Exhibit?

- A. 1
- B. 4
- C. 3

D. 5

E. 2

Correct Answer: D

---

**QUESTION 4**

Scenario: A Citrix Architect needs to design a new XenApp and XenDesktop environment. Provisioning Services has been selected for image management. The Provisioning Services vDisk store requires high fault tolerance and the ability to support dual drive failure.

Which two RAID levels could the architect use for the Provisioning Services vDisk store? (Choose two.)

A. RAID 5

B. RAID 0

C. RAID 1

D. RAID 6

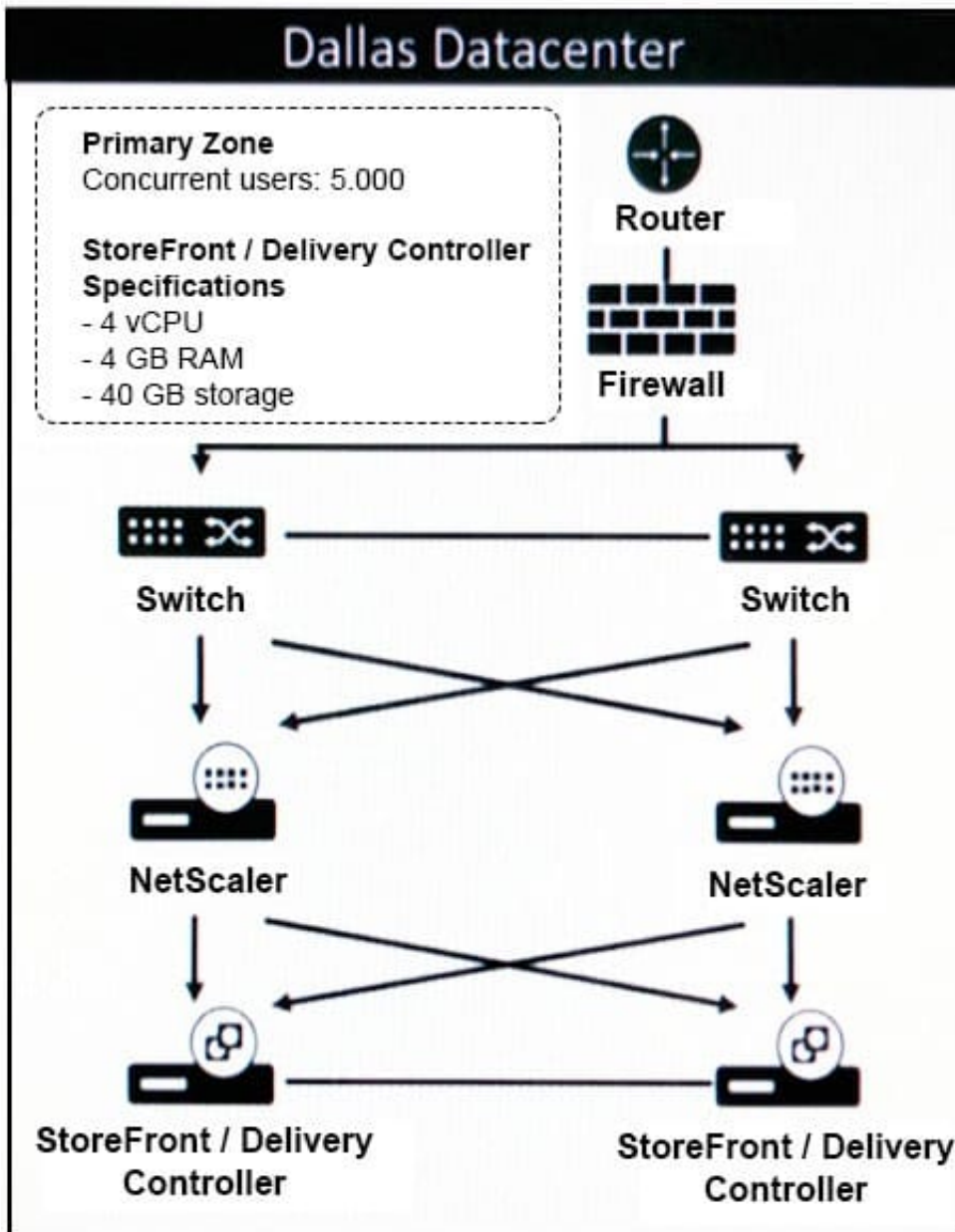
E. RAID 10

Correct Answer: DE

---

**QUESTION 5**

Scenario: A Citrix Architect needs to design a single-Site XenApp and XenDesktop environment. Through earlier design discussions, the architect has determined the environment details listed in the Exhibit.



What should the architect change in the current environment to align with Citrix leading practices?

- A. A Delivery Controller should be removed from the Site.
- B. The Delivery Controller and StoreFront roles should NOT be co-located on the same server.
- C. The existing Delivery Controllers should be allocated with an additional 2 GB of RAM each.
- D. A Delivery Controller should be added to the Site.
- E. The existing Delivery Controllers should be allocated with an additional CPU each.

Correct Answer: D