

1D0-571^{Q&As}

CIW V5 Security Essentials

Pass CIW 1D0-571 Exam with 100% Guarantee

Free Download Real Questions & Answers **PDF** and **VCE** file from:

<https://www.leads4pass.com/1d0-571.html>

100% Passing Guarantee
100% Money Back Assurance

Following Questions and Answers are all new published by CIW Official Exam Center

-  **Instant Download** After Purchase
-  **100% Money Back** Guarantee
-  **365 Days** Free Update
-  **800,000+** Satisfied Customers



QUESTION 1

You have just deployed an application that uses hash-based checksums to monitor changes in the configuration scripts of a database server that is accessible via the Internet. Which of the following is a primary concern for this solution?

- A. The extra hard disk space required to store the database of checksums
- B. The amount of memory remaining now that the checksum-based application is running
- C. The possibility of a bufferoverflow attack leading to a security breach
- D. The security of the checksum database on a read-only media format

Correct Answer: D

QUESTION 2

Which of the following is a typical target of a trojan on a Linux system?

- A. Kernel modules
- B. Shared libraries
- C. Boot sector files
- D. System32 DLL files

Correct Answer: A

QUESTION 3

You have been assigned to configure a DMZ that uses multiple firewall components. Specifically, you must configure a router that will authoritatively monitor and, if necessary, block traffic. This device will be the last one that inspects traffic before it passes to the internal network. Which term best describes this device?

- A. Screening router
- B. Bastion host
- C. Proxy server
- D. Choke router

Correct Answer: D

QUESTION 4

Your organization has made a particularly unpopular policy decision. Your supervisor fears that a series of attacks may occur as a result. You have been assigned to increase automated auditing on a server. When fulfilling this request,

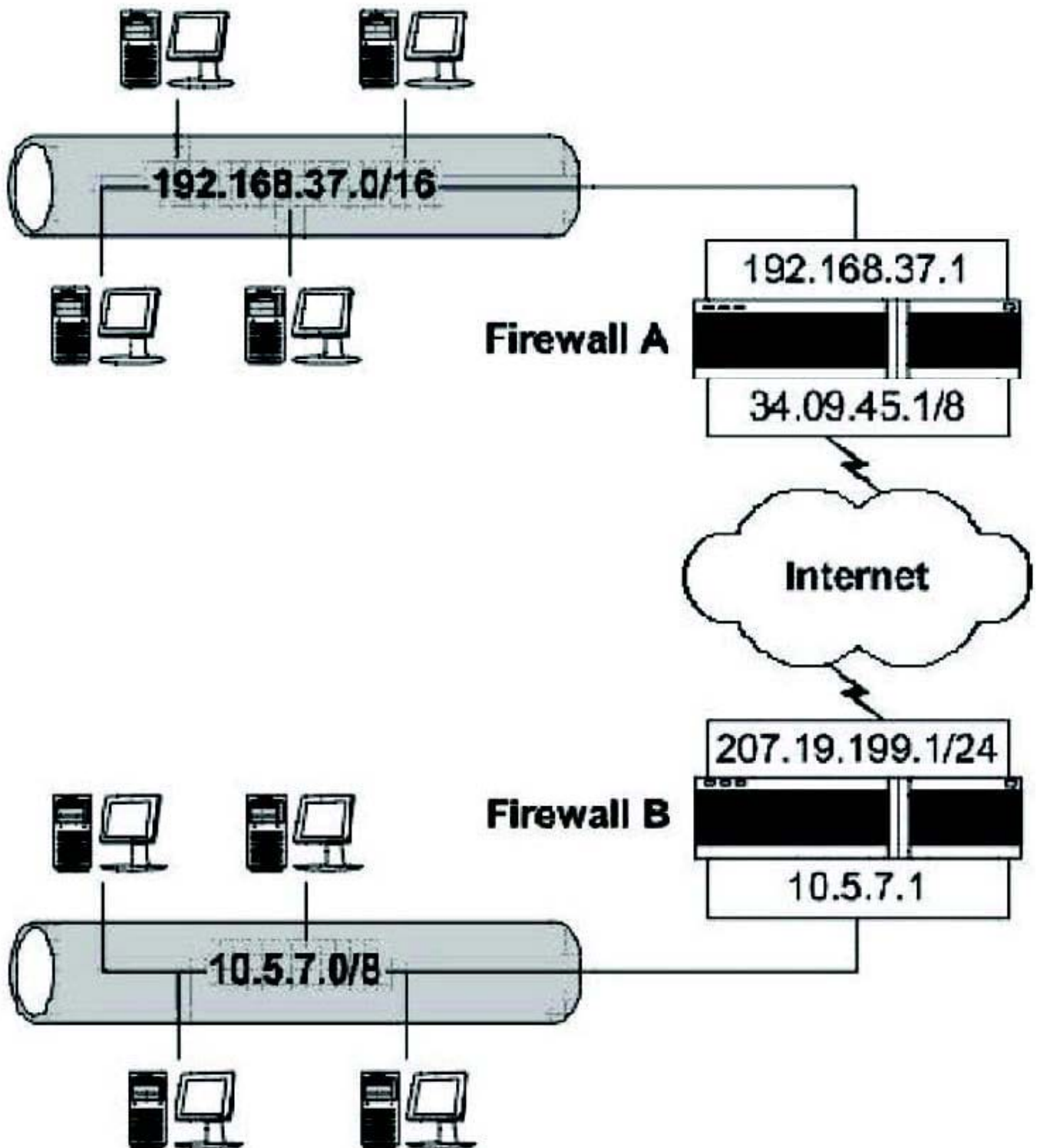
which of the following resources should you audit the most aggressively?

- A. Authentication databases, including directory servers
- B. Intrusion detection systems, especially those placed on sensitive networks
- C. Log files on firewall systems
- D. Firewall settings for desktop systems

Correct Answer: A

QUESTION 5

Consider the following diagram involving two firewall-protected networks: Which of the following is necessary for each of the firewalls to allow private IP addresses to be passed on to the Internet?



- A. Chargeback
- B. Stateful multi-layer inspection
- C. Masquerading
- D. DMZ creation

Correct Answer: C

[1D0-571 PDF Dumps](#)

[1D0-571 VCE Dumps](#)

[1D0-571 Exam Questions](#)