

050-696^{Q&As}

Foundations of Novell Open Enterprise Server NetWare

Pass Novell 050-696 Exam with 100% Guarantee

Free Download Real Questions & Answers **PDF** and **VCE** file from:

<https://www.leads4pass.com/050-696.html>

100% Passing Guarantee
100% Money Back Assurance

Following Questions and Answers are all new published by Novell
Official Exam Center

-  **Instant Download** After Purchase
-  **100% Money Back** Guarantee
-  **365 Days** Free Update
-  **800,000+** Satisfied Customers



QUESTION 1

You are planning file system rights for your organization. Click the type of object in eDirectory that you should use first to assign file system rights to the largest number of users at one time.

Correct Answer: DEL

QUESTION 2

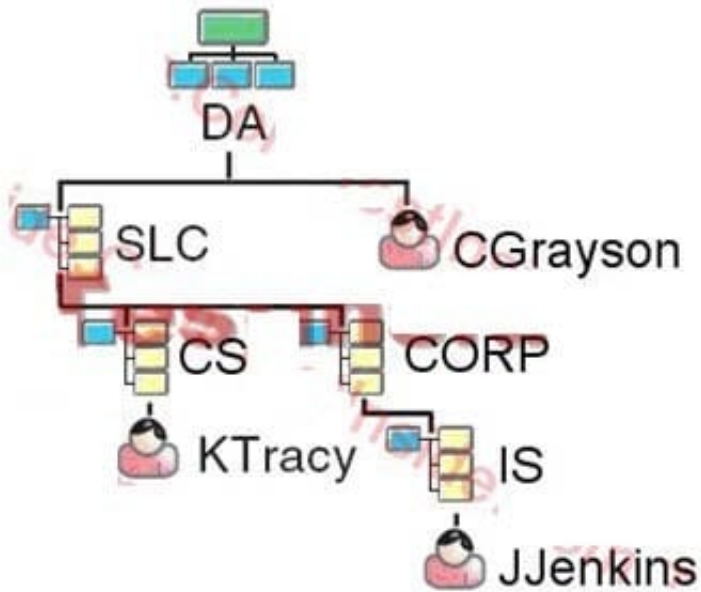
You're designing your organization's eDirectory tree. You want to create Country objects at the top of your tree for each country where your organization has an office. Each of these offices has a regional network administrator. You decide to create an object named Admin in each respective Country object for each regional administrator. Will this tree design work?

- A. Yes, all eDirectory rules have been observed.
- B. No, eDirectory object names must be unique within the tree.
- C. No, user objects can't reside in Country container objects.
- D. No, eDirectory must be managed centrally. You shouldn't use distributed administrators.
- E. No, the name of Admin is reserved for the user object that's created during the first server install.
- F. No, eDirectory requires that trees be designed by departmental organization, not by geographic region.

Correct Answer: C

QUESTION 3

Click the Exhibit button to begin.



What is the context of the Jjenkins object?

- A. OU=IS.O=DA
- B. OU=SLC. O=DA
- C. OU=IS.OU=SLC. O=DA
- D. OU=IS.OU=CORP.OU=SLC. O=DA
- E. OU=IS.OU=CORP.OU=CS.OU=SLC. O=DA

Correct Answer: D

QUESTION 4

Which OES NetWare product provides high availability of critical network resources?

- A. MySQL
- B. Rsync
- C. iPrint
- D. eGuide
- E. File Versioning
- F. Novell Cluster Services
- G. Web Application Services

Correct Answer: F

QUESTION 5

Click the directory that contains the OES NetWare server system files.

Correct Answer: System

[050-696 PDF Dumps](#)

[050-696 VCE Dumps](#)

[050-696 Practice Test](#)