

050-696^{Q&As}

Foundations of Novell Open Enterprise Server NetWare

Pass Novell 050-696 Exam with 100% Guarantee

Free Download Real Questions & Answers **PDF** and **VCE** file from:

<https://www.leads4pass.com/050-696.html>

100% Passing Guarantee
100% Money Back Assurance

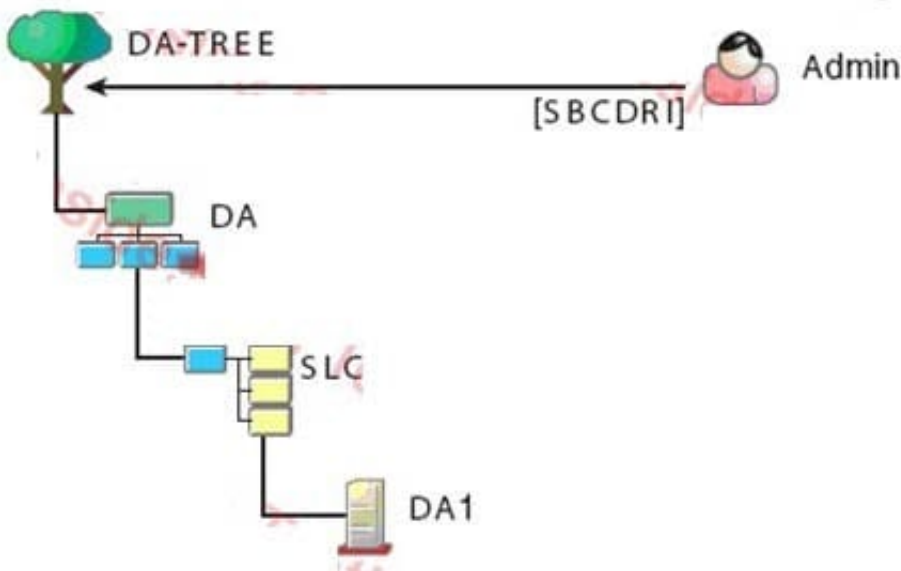
Following Questions and Answers are all new published by Novell
Official Exam Center

-  **Instant Download** After Purchase
-  **100% Money Back** Guarantee
-  **365 Days** Free Update
-  **800,000+** Satisfied Customers



QUESTION 1

Click the Exhibit button to begin.



When you installed the eDirectory tree, your Admin user object was automatically assigned all entry rights to the tree root. What rights does Admin have to the DA1 server object?

- A. Browse
- B. Supervisor
- C. Supervisor, Browse, Delete, Rename
- D. Browse, Create, Delete, Rename
- E. Browse, Create, Delete, Rename, Inheritable
- F. Supervisor, Browse, Create, Delete, Rename, Inheritable
- G. Admin has no rights.

Correct Answer: C

QUESTION 2

Click on the directory that contains web server system files on an OES NetWare server.

Correct Answer: Apache2

QUESTION 3

You've just created an NSS volume on your OES NetWare server named SHARED. Your server name is WIDGET1. What name will be automatically assigned to the object for this volume in the eDirectory tree?

- A. SHARED
- B. WIDGET1_SHARED
- C. WIDGET1~SHARED
- D. WIDGET1#SHARED
- E. WIDGET1-SHARED
- F. NSS volumes aren't represented by eDirectory objects.

Correct Answer: B

QUESTION 4

Your organization uses a database application to store names and addresses used in direct-mail campaigns. As the demand for your company's products has grown, the database file has become very large. Which file attribute could you assign to the database file to keep it as small as possible by running the NetWare compression routine every time the file is modified instead of at the system-specified compression start time?

- A. A
- B. H
- C. P
- D. Ci
- E. Dc
- F. Di
- G. Dm
- H. Ds
- I. Ic
- J. Ro K. Sh

Correct Answer: I

QUESTION 5

While installing an OES NetWare on new server hardware, you select the Default installation option. Which parameters will be automatically used by the installation program? (Choose 2.)

- A. Mouse: PS/2
- B. 4 GB SYS volume
- C. Video mode: SVGA
- D. 4 GB DATA volume
- E. Country code: 437
- F. Protocols: TCP/IP with IPX Compatibility

Correct Answer: BC

[Latest 050-696 Dumps](#)

[050-696 Practice Test](#)

[050-696 Exam Questions](#)