



000-657^{Q&As}

IBM Tivoli Netcool/OMNibus V7.4 Implementation

Pass IBM 000-657 Exam with 100% Guarantee

Free Download Real Questions & Answers **PDF** and **VCE** file from:

<https://www.lead4pass.com/000-657.html>

100% Passing Guarantee
100% Money Back Assurance

Following Questions and Answers are all new published by IBM Official Exam Center

-  **Instant Download** After Purchase
-  **100% Money Back** Guarantee
-  **365 Days** Free Update
-  **800,000+** Satisfied Customers





QUESTION 1

Which action informs an end user when an event flood situation is detected?

- A. create a new severity level for the event flood situation
- B. configure the probe rules file so that deduplication of events does not occur
- C. configure a probe to report back the situation in the summary field for an event raised when the event flood is detected
- D. implement Accelerated Event Notification to ensure that the detected event flood situation is displayed to operators as quickly as possible

Correct Answer: D

QUESTION 2

Which command creates a new dual desktop display ObjectServer with the server name as DISPLAY_OS_1 connecting to AGG_OS_1 ObjectServer?

- A. `$NCHOME/bin/nco_dbinit -server DISPLAY_OS_1 -desktopserver -dsddualwrite -dsdprimary AGG_OS_1`
- B. `$NCHOME/omnibus/bin/nco_igen -server DISPLAY_OS_1 -desktopserver -dsddualwrite -dsdprimary AGG_OS_1`
- C. `$NCHOME/omnibus/bin/nco_dbinit -server DISPLAY_OS_1 -desktopserver -dsddualwrite -dsdprimary AGG_OS_1`
- D. `$NCHOME/omnibus/install/nco_dbinit -server DISPLAY_OS_1 -desktopserver -dsddualwrite -dsdprimary AGG_OS_1`



- A. Option A
- B. Option B
- C. Option C
- D. Option D

Correct Answer: C

QUESTION 3

Which two statements are true about automations? (Choose two.)

- A. Automations can communicate with each other and run programs on request.

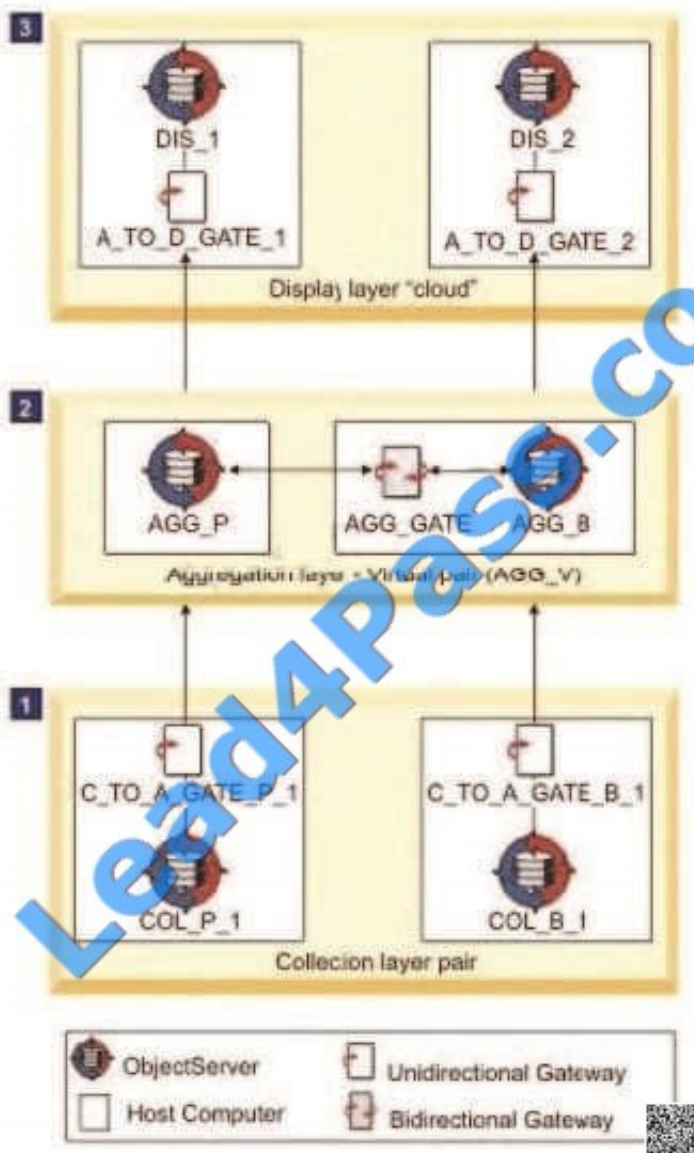


- B. Automations support full remote management of process agents from a single console.
- C. Automations enable the ObjectServer to process alerts without requiring an operator to take action.
- D. Automations can be used to detect changes in the ObjectServer and to run automated responses to these changes.
- E. Automations provide an interface for defining and manipulating relational database objects such as tables and views

Correct Answer: CD

QUESTION 4

Click the Exhibit button.



Widgetcom has deployed this 3-tier standard multi-tier architecture deployment of IBM Tivoli Netcool/OMNIBus V7.4 (Netcool/OMNIBus) using the best practice configuration that ships with the product:



The Netcool/OMNIbus administrator wants to examine the contents of a custom table on both AGG_P and AGG_B to verify that data is flowing correctly between the primary and backup Aggregation ObjectServers Which two commands can be used to examine the contents of this table? (Choose two)

- A. nco_id
- B. nco_sql
- C. nco_event
- D. nco_config
- E. nco_check_store

Correct Answer: BD

QUESTION 5

When upgrading probes, what does the UPGRADE.SH script do?

- A. It overwrites the probe older versions with the latest versions.
- B. It migrates probes data to the \$NCHOME/omni bus/probes/mi grated directory.
- C. It configures the probe files (rules and props) with the latest available information.
- D. It reinstalls the probes and migrates data to the \$NCHOME/omni bus/probes/mi grated directory

Correct Answer: B

[Latest 000-657 Dumps](#)

[000-657 PDF Dumps](#)

[000-657 Study Guide](#)



To Read the [Whole Q&As](#), please purchase the [Complete Version](#) from [Our website](#).

Try our product !

100% Guaranteed Success
100% Money Back Guarantee
365 Days Free Update
Instant Download After Purchase
24x7 Customer Support
Average 99.9% Success Rate
More than 800,000 Satisfied Customers Worldwide
Multi-Platform capabilities - [Windows](#), [Mac](#), [Android](#), [iPhone](#), [iPod](#), [iPad](#), [Kindle](#)

We provide exam PDF and VCE of Cisco, Microsoft, IBM, CompTIA, Oracle and other IT Certifications. You can view Vendor list of All Certification Exams offered:

<https://www.lead4pass.com/allproducts>

Need Help

Please provide as much detail as possible so we can best assist you.
To update a previously submitted ticket:



 <p>One Year Free Update Free update is available within One Year after your purchase. After One Year, you will get 50% discounts for updating. And we are proud to boast a 24/7 efficient Customer Support system via Email.</p>	 <p>Money Back Guarantee To ensure that you are spending on quality products, we provide 100% money back guarantee for 30 days from the date of purchase.</p>	 <p>Security & Privacy We respect customer privacy. We use McAfee's security service to provide you with utmost security for your personal information & peace of mind.</p>
---	---	--

Any charges made through this site will appear as Global Simulators Limited.
All trademarks are the property of their respective owners.
Copyright © lead4pass, All Rights Reserved.