



000-188^{Q&As}

IBM WebSphere Lombardi Edition V7.2, BPM Program Management

Pass IBM 000-188 Exam with 100% Guarantee

Free Download Real Questions & Answers **PDF** and **VCE** file from:

<https://www.lead4pass.com/000-188.html>

100% Passing Guarantee
100% Money Back Assurance

Following Questions and Answers are all new published by IBM Official Exam Center

-  **Instant Download** After Purchase
-  **100% Money Back** Guarantee
-  **365 Days** Free Update
-  **800,000+** Satisfied Customers





QUESTION 1

What serves as a repository for all project assets created in WebSphere Lombardi Edition Authoring Environment?

- A. Process Portal
- B. Process Center
- C. Process Designer
- D. Process AdminConsole

Correct Answer: B

QUESTION 2

The BPM validation process is the first time BPM project for the development team. At the project launch meeting, the functional requirements for the project are requested by the developers and administrator. The program manager reminds the team that functional requirements are typically documented during a specific phase in the BPM life cycle. When are the functional requirements for the process documented?

- A. Process discovery
- B. Process simulation
- C. Process optimization
- D. Process identification

Correct Answer: A

QUESTION 3

What is SIPOC Analysis?

- A. Stated Improvement Plan for Optimization of Code
- B. Suppliers, Inputs, Process, Outputs, and Customers
- C. Streamlining, Identification, Performance, Optimization, Continuity
- D. Simple Identification for Performance Optimization and Continuous Analysis

Correct Answer: B

QUESTION 4

Early in process modeling, the process owner explains how a particular part of the process model diagram below should function. Both Task A and B should be accomplished prior to Task C. Task A and B do not have any specific order in

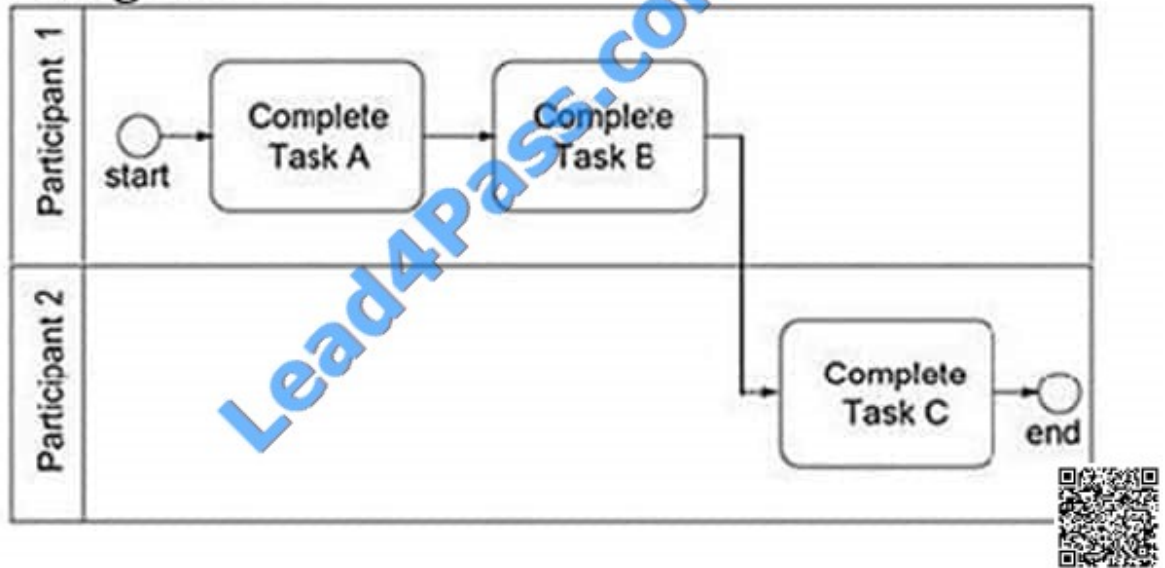


which they must be accomplished. Task C is also completed by a different group than the participant assigned to Task A and

A. Which of the following diagrams implement the scenario according to best practice?

C A.

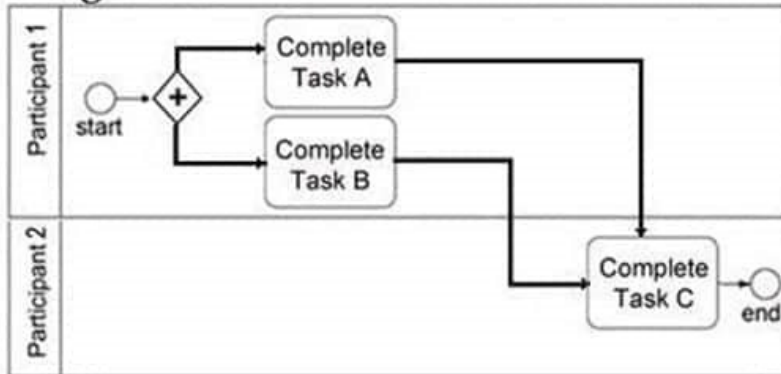
Diagram 1





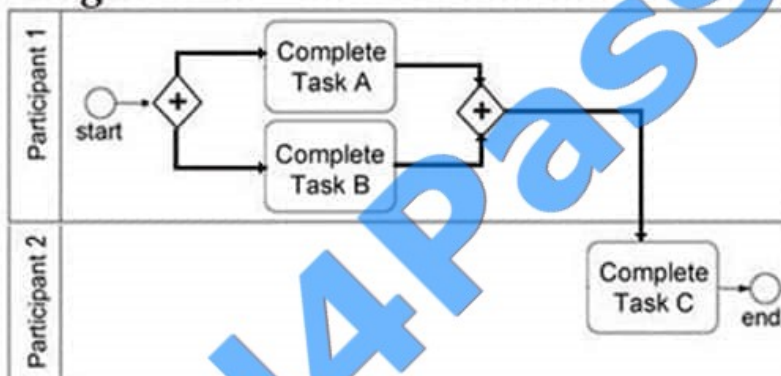
B.

Diagram 2



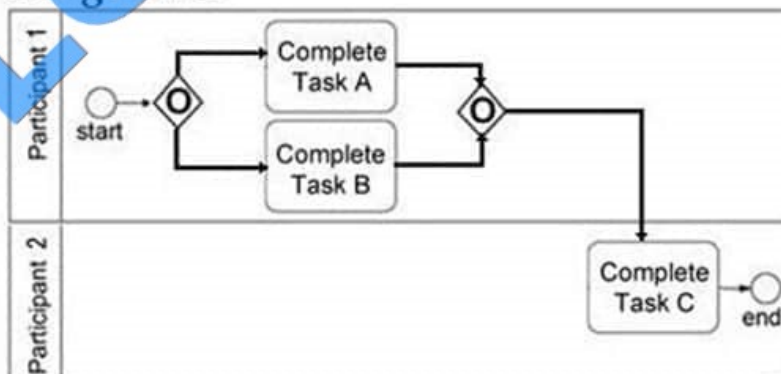
C.

Diagram 3



D.

Diagram 4





- B. Exhibit A
- C. Exhibit B
- D. Exhibit C
- E. ExhibitD

Correct Answer: C

QUESTION 5

The BPM program manager and process owner for a new hire onboarding process project need to ensure that the solution developed by the team will be accepted and adopted by the target users. To facilitate this, they decide to:

- A. plan additional playbacks for user screens.
- B. agree with users to postpone the release until every feature is correct.
- C. involve champion SMEs in the discovery and implementation including playbacks.
- D. insist on documentation of all user requirements before having the development team begin work.

Correct Answer: C

[Latest 000-188 Dumps](#)

[000-188 VCE Dumps](#)

[000-188 Practice Test](#)



To Read the [Whole Q&As](#), please purchase the [Complete Version](#) from [Our website](#).

Try our product !

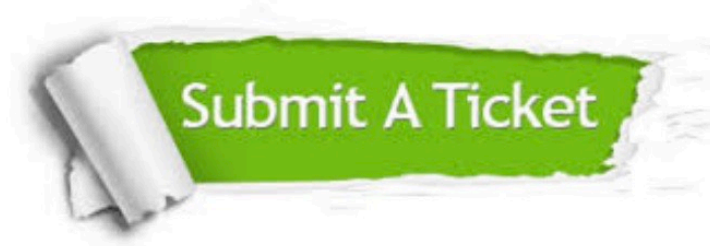
100% Guaranteed Success
100% Money Back Guarantee
365 Days Free Update
Instant Download After Purchase
24x7 Customer Support
Average 99.9% Success Rate
More than 800,000 Satisfied Customers Worldwide
Multi-Platform capabilities - [Windows](#), [Mac](#), [Android](#), [iPhone](#), [iPod](#), [iPad](#), [Kindle](#)

We provide exam PDF and VCE of Cisco, Microsoft, IBM, CompTIA, Oracle and other IT Certifications. You can view Vendor list of All Certification Exams offered:

<https://www.lead4pass.com/allproducts>

Need Help

Please provide as much detail as possible so we can best assist you.
To update a previously submitted ticket:



 <p>One Year Free Update Free update is available within One Year after your purchase. After One Year, you will get 50% discounts for updating. And we are proud to boast a 24/7 efficient Customer Support system via Email.</p>	 <p>Money Back Guarantee To ensure that you are spending on quality products, we provide 100% money back guarantee for 30 days from the date of purchase.</p>	 <p>Security & Privacy We respect customer privacy. We use McAfee's security service to provide you with utmost security for your personal information & peace of mind.</p>
---	---	--

Any charges made through this site will appear as Global Simulators Limited.
All trademarks are the property of their respective owners.
Copyright © lead4pass, All Rights Reserved.